



TECHNICAL MANUAL

EXTERIOR BLINDS



Table of contents – Exterior blinds

CE Product Marking	3	Guidance	89
Basic Technical Specification	7	Guidance - wire	92
Product Tolerances	8	Guidance – guiding channel	94
Calculation of Solar and Light Transmittance	9	Guiding Channel Holders	99
Wound Up Height	11	Holders for Exterior Blinds	115
Cetta 50	15	Types of Front Covers	130
Cetta 50 – cord	16	Measurement and Assembly	134
Cetta 50 – handle	16	Alternative Designs of Exterior Blinds	140
Cetta 50 – motor	20	DUO System	141
Cetta 65, 80, 80 Slim, 60 Flexi, 80 Flexi	24	Atypical Designs of Exterior Blinds	142
Cetta 65, 80 – handle	25	Connected Exterior Blinds	143
Cetta 65, 80 – motor	27	Double Head Rail Exterior Blinds	144
Cetta 60 Flexi	29	Exterior Blind Windstabil	145
Cetta 80 Flexi	31	Solar power supply of exterior blinds	146
Cetta 100 Flexi	33	Special Designs	149
Setta 65, 90	55	Exterior blinds Titan 90	150
Setta 65, 90 – handle	56	Sloped Blind Cetta 80F TE	159
Setta 65, 90 – motor	58	Corner exterior blind	167
Zetta 70, 90	65	Facade Exterior Blinds	173
Zetta 70, 90 – handle	66	Self-Supporting Blinds VIVA	179
Zetta 70, 90 – motor	68	Self-Supporting Blinds BRAVO	190
Shapes of Exterior Blind Slats	78	Self-Supporting Blinds STS aluminium	194
Control	83	Self Supporting Blinds STS fix	196
Control - handle	83	Safety blinds EMERGENCY	197
Control – motor	86	Lintel Exterior Blinds HELUZ	198
		Lintel Exterior Blinds HELUZ Family	201

Products in this assortment group are always measured from the interior.


ISOTRA*Quality*

A mark symbolising long tradition, inestimable investment into development, the use of quality materials, state-of-the-art technologies, reliable work from hundreds of employees and numerous other parameters, constituting one entity – the final product of ISOTRA.

CE Product Marking

All exterior blinds of ISOTRA a.s. comply with the standard ČSN EN 13659+A1:2009

European Marking of CE Compliance – marking on products


ISOTRA a.s. Bílovecká 2411/1, 746 01 Opava
12
EN 13659:2015 ZETTA 90 CPR 008/2017 Exterior sun visor Wind resistance: 0 – 4 Additional thermal resistance ΔR : 0,08 m ² .K/W Total solar energy transmittance g _{tot} : 0,032 - 0,094

Note: Pattern of CE label

Wind Resistance of Exterior Blinds

The wind resistance tests were conducted by Centrum stavebního inženýrství, a.s., Zlín, according to standard ČSN EN 13659+A1:2009.

Cetta 50 - channel		Performance							
Essential characteristics									
Wind resistance	Width of construction hole L (mm)	L ≤ 2 000		2 000 < L ≤ 3 000		3 000 < L ≤ 4 000		4 000 < L ≤ 4 500	
	Standard EN/Beaufort	13659	Beaufort	13659	Beaufort	13659	Beaufort	13659	Beaufort
	Wind resistance class	4	7	3	6	2	5	1	4
	Max. wind speed v_{max} (km/h)	61		49		38		28	
	Max. effective height wing	H _{max} = 4000mm							
	Width of construction hole L (mm)	4 500 < L ≤ 5 000		5 000 < L ≤ 5 500		5 500 < L ≤ 5 800		5 800 < L ≤ 6 000	
	Wind resistance class	0	3	0	2	0	1	0	0
Max. wind speed v_{max} (km/h)	19		11		5		1		
Max. effective height wing	H _{max} = 4000mm								
Additional thermal resistance ΔR	0,08 (m ² .K/W)								
Total solar energy transmittance g_{tot}	0,032 - 0,094 (according to the selected slat color)*								

Cetta 50 - wire		Performance									
Essential characteristics											
Wind resistance	Width of construction hole L (mm)	L < 2 000		2 000 < L ≤ 3 000		3 000 < L ≤ 4 000		4 000 < L ≤ 4 500		4 500 < L ≤ 4 800	
	Standard EN/Beaufort	13659	Beaufort	13659	Beaufort	13659	Beaufort	13659	Beaufort	13659	Beaufort
	Wind resistance class	1	4	0	3	0	2	0	1	0	0
	Max. wind speed v_{max} (km/h)	28		19		11		5		1	
	Max. effective height wing	H _{max} = 2500mm									
	Width of construction hole L (mm)	L < 2 000		2 000 < L ≤ 3 000		3 000 < L ≤ 4 000		4 000 < L ≤ 4 500		4 000 < L ≤ 4 500	
	Wind resistance class	0	3	0	2	0	1	0	0	0	0
Max. wind speed v_{max} (km/h)	19		11		5		1		1		
Max. effective height wing	H _{max} = 4000mm										
Additional thermal resistance ΔR	0,08 (m ² .K/W)										
Total solar energy transmittance g_{tot}	0,032 - 0,094 (according to the selected slat color)*										

Cetta 65 - channel		Performance							
Essential characteristics									
Wind resistance	Width of construction hole L (mm)	L ≤ 2 000		2 000 < L ≤ 3 000		3 000 < L ≤ 4 000		4 000 < L ≤ 4 500	
	Standard EN/Beaufort	13659	Beaufort	13659	Beaufort	13659	Beaufort	13659	Beaufort
	Wind resistance class	4	7	3	6	2	5	1	4
	Max. wind speed v_{max} (km/h)	61		49		38		28	
	Max. effective height wing	H _{max} = 4000mm							
	Width of construction hole L (mm)	4 500 < L ≤ 5 000		5 000 < L ≤ 5 500		5 500 < L ≤ 5 800		5 800 < L ≤ 6 000	
	Wind resistance class	0	3	0	2	0	1	0	0
Max. wind speed v_{max} (km/h)	19		11		5		1		
Max. effective height wing	H _{max} = 4000mm								
Additional thermal resistance ΔR	0,08 (m ² .K/W)								
Total solar energy transmittance g_{tot}	0,032 - 0,094 (according to the selected slat color)*								

Cetta 65 - wire		Performance													
Essential characteristics															
Wind resistance	Width of construction hole L (mm)	L ≤ 2 000		2 000 < L ≤ 3 000		3 000 < L ≤ 4 000		4 000 < L ≤ 4 500		4 500 < L ≤ 4 800		4 800 < L ≤ 5 000		5 000 < L ≤ 6 000	
	Standard EN/Beaufort	13659	Beaufort	13659	Beaufort	13659	Beaufort	13659	Beaufort	13659	Beaufort	13659	Beaufort	13659	Beaufort
	Wind resistance class	3	6	2	5	1	4	0	3	0	2	0	1	0	0
	Max. wind speed v_{max} (km/h)	49		38		28		19		11		5		1	
	Max. effective height wing	H _{max} = 2500mm													
	Width of construction hole L (mm)	L ≤ 2 000		2 000 < L ≤ 3 000		3 000 < L ≤ 4 000		4 000 < L ≤ 4 500		4 500 < L ≤ 4 800		4 800 < L ≤ 5 000		5 000 < L ≤ 6 000	
	Wind resistance class	2	5	1	4	0	3	0	2	0	1	0	0	0	0
Max. wind speed v_{max} (km/h)	38		28		19		11		5		0		0		
Max. effective height wing	H _{max} = 4000mm														
Additional thermal resistance ΔR	0,08 (m ² .K/W)														
Total solar energy transmittance g_{tot}	0,032 - 0,094 (according to the selected slat color)*														

Setta 65 - channel									
Essential characteristics		Performance							
Wind resistance	Width of construction hole L (mm)	L ≤ 2 000		2 000 < L ≤ 3 000		3 000 < L ≤ 4 000		4 000 < L ≤ 4 500	
	Standard EN/Beaufort	13659	Beaufort	13659	Beaufort	13659	Beaufort	13659	Beaufort
	Wind resistance class	5	8	4	7	3	6	2	5
	Max. wind speed v _{max} (km/h)	74		61		49		38	
	Max. effective height wing	H _{max} = 4000mm							
	Width of construction hole L (mm)	4 500 < L ≤ 5 000		5 000 < L ≤ 5 500		5 500 < L ≤ 5 800		5 800 < L ≤ 6 000	
	Wind resistance class	1	4	0	3	0	2	0	1
	Max. wind speed v _{max} (km/h)	28		19		11		5	
Max. effective height wing	H _{max} = 4000mm								
Additional thermal resistance ΔR		0,08 (m ² .K/W)							
Total solar energy transmittance g _{tot}		0,032 - 0,094 (according to the selected slat color)*							

Setta 65 - wire													
Essential characteristics		Performance											
Wind resistance	Width of construction hole L (mm)	L ≤ 2 000		2 000 < L ≤ 3 000		3 000 < L ≤ 4 000		4 000 < L ≤ 4 500		4 500 < L ≤ 4 800		4 800 < L ≤ 5 000	
	Standard EN/Beaufort	13659	Beaufort	13659	Beaufort	13659	Beaufort	13659	Beaufort	13659	Beaufort	13659	Beaufort
	Wind resistance class	3	6	2	5	1	4	0	3	0	2	0	1
	Max. wind speed v _{max} (km/h)	49		38		28		19		11		5	
	Max. effective height wing	H _{max} = 2500mm											
	Width of construction hole L (mm)	L ≤ 2 000		2 000 < L ≤ 3 000		3 000 < L ≤ 4 000		4 000 < L ≤ 4 500		4 500 < L ≤ 4 800		4 800 < L ≤ 5 000	
	Wind resistance class	2	5	1	4	0	3	0	2	0	1	0	0
	Max. wind speed v _{max} (km/h)	38		28		19		11		5		1	
Max. effective height wing	H _{max} = 4000mm												
Additional thermal resistance ΔR		0,08 (m ² .K/W)											
Total solar energy transmittance g _{tot}		0,032 - 0,094 (according to the selected slat color)*											

Setta 90 - channel									
Essential characteristics		Performance							
Wind resistance	Width of construction hole L (mm)	L ≤ 2 000		2 000 < L ≤ 3 000		3 000 < L ≤ 4 000		4 000 < L ≤ 4 500	
	Standard EN/Beaufort	13659	Beaufort	13659	Beaufort	13659	Beaufort	13659	Beaufort
	Wind resistance class	5	8	4	7	3	6	2	5
	Max. wind speed v _{max} (km/h)	74		61		49		38	
	Max. effective height wing	H _{max} = 4000mm							
	Width of construction hole L (mm)	4 500 < L ≤ 5 000		5 000 < L ≤ 5 500		5 500 < L ≤ 5 800		5 800 < L ≤ 6 000	
	Wind resistance class	1	4	0	3	0	2	0	1
	Max. wind speed v _{max} (km/h)	28		19		11		5	
Max. effective height wing	H _{max} = 4000mm								
Additional thermal resistance ΔR		0,08 (m ² .K/W)							
Total solar energy transmittance g _{tot}		0,032 - 0,094 (according to the selected slat color)*							

Setta 90 - wire															
Essential characteristics		Performance													
Wind resistance	Width of construction hole L (mm)	L ≤ 2 000		2 000 < L ≤ 3 000		3 000 < L ≤ 4 000		4 000 < L ≤ 4 500		4 500 < L ≤ 4 800		4 800 < L ≤ 5 000		5 000 < L ≤ 6 000	
	Standard EN/Beaufort	13659	Beaufort	13659	Beaufort	13659	Beaufort	13659	Beaufort	13659	Beaufort	13659	Beaufort	13659	Beaufort
	Wind resistance class	3	6	2	5	1	4	0	3	0	2	0	1	0	0
	Max. wind speed v _{max} (km/h)	49		38		28		19		11		5		1	
	Max. effective height wing	H _{max} = 2500mm													
	Width of construction hole L (mm)	L ≤ 2 000		2 000 < L ≤ 3 000		3 000 < L ≤ 4 000		4 000 < L ≤ 4 500		4 500 < L ≤ 4 800		4 800 < L ≤ 5 000		5 000 < L ≤ 6 000	
	Wind resistance class	2	5	1	4	0	3	0	2	0	1	0	0	0	0
	Max. wind speed v _{max} (km/h)	38		28		19		11		5		1		0	
Max. effective height wing	H _{max} = 4000mm														
Additional thermal resistance ΔR		0,08 (m ² .K/W)													
Total solar energy transmittance g _{tot}		0,032 - 0,094 (according to the selected slat color)*													

Zetta 70 - channel									
Essential characteristics		Performance							
Wind resistance	Width of construction hole L (mm)	L ≤ 2 000		2 000 < L ≤ 3 000		3 000 < L ≤ 4 000		4 000 < L ≤ 4 500	
	Standard EN/Beaufort	13659	Beaufort	13659	Beaufort	13659	Beaufort	13659	Beaufort
	Wind resistance class	4	7	3	6	2	5	1	4
	Max. wind speed v _{max} (km/h)	61		49		38		28	
	Max. effective height wing	H _{max} = 4000mm							
	Width of construction hole L (mm)	4 500 < L ≤ 5 000		5 000 < L ≤ 5 500		5 500 < L ≤ 5 800		5 800 < L ≤ 6 000	
	Wind resistance class	0	3	0	2	0	1	0	0
	Max. wind speed v _{max} (km/h)	19		11		5		1	
Max. effective height wing	H _{max} = 4000mm								
Additional thermal resistance ΔR		0,08 (m ² .K/W)							
Total solar energy transmittance g _{tot}		0,032 - 0,094 (according to the selected slat color)*							

Zetta 70 - wire

Essential characteristics		Performance													
Wind resistance	Width of construction hole L (mm)	L ≤ 2 000		2 000 < L ≤ 3 000		3 000 < L ≤ 4 000		4 000 < L ≤ 4 500		4 500 < L ≤ 4 800		4 800 < L ≤ 5 000		5 000 < L ≤ 6 000	
	Standard EN/Beaufort	13659	Beaufort	13659	Beaufort	13659	Beaufort	13659	Beaufort	13659	Beaufort	13659	Beaufort	13659	Beaufort
	Wind resistance class	3	6	2	5	1	4	0	3	0	2	0	1	0	0
	Max. wind speed v _{max} (km/h)	49		38		28		19		11		5		1	
	Max. effective height wing	H _{max} = 2500mm													
	Width of construction hole L (mm)	L ≤ 2 000		2 000 < L ≤ 3 000		3 000 < L ≤ 4 000		4 000 < L ≤ 4 500		4 500 < L ≤ 4 800		4 800 < L ≤ 5 000		5 000 < L ≤ 6 000	
	Wind resistance class	2	5	1	4	0	3	0	2	0	1	0	0	0	0
	Max. wind speed v _{max} (km/h)	38		28		19		11		5		1		0	
Max. effective height wing	H _{max} = 4000mm														
Additional thermal resistance ΔR		0,08 (m ² .K/W)													
Total solar energy transmittance g _{tot}		0,032 - 0,094 (according to the selected slat color)*													

Zetta 90 - channel

Essential characteristics		Performance															
Wind resistance	Width of construction hole L (mm)	L ≤ 1 000				1 000 < L ≤ 2 000				2 000 < L ≤ 3 000				3 000 < L ≤ 4 000			
	Standard EN/Beaufort	13659		Beaufort		13659		Beaufort		13659		Beaufort		13659		Beaufort	
	Wind resistance class	6		9		5		8		4		7		3		6	
	Max. wind speed v _{max} (km/h)	88				74				61				49			
	Max. effective height wing	H _{max} = 4000mm															
	Width of construction hole L (mm)	4 000 < L ≤ 4 500				4 500 < L ≤ 5 000				5 000 < L ≤ 5 500				5 500 < L ≤ 6 000			
	Wind resistance class	2		5		1		4		0		3		0		2	
	Max. wind speed v _{max} (km/h)	38				28				19				11			
Max. effective height wing	H _{max} = 4000mm																
Additional thermal resistance ΔR		0,08 (m ² .K/W)															
Total solar energy transmittance g _{tot}		0,032 - 0,094 (according to the selected slat color)*															

Zetta 90 - wire

Essential characteristics		Performance													
Wind resistance	Width of construction hole L (mm)	L ≤ 2 000		2 000 < L ≤ 3 000		3 000 < L ≤ 4 000		4 000 < L ≤ 4 500		4 500 < L ≤ 4 800		4 800 < L ≤ 5 000		5 000 < L ≤ 6 000	
	Standard EN/Beaufort	13659	Beaufort	13659	Beaufort	13659	Beaufort	13659	Beaufort	13659	Beaufort	13659	Beaufort	13659	Beaufort
	Wind resistance class	3	6	2	5	1	4	0	3	0	2	0	1	0	0
	Max. wind speed v _{max} (km/h)	49		38		28		19		11		5		1	
	Max. effective height wing	H _{max} = 2500mm													
	Width of construction hole L (mm)	L ≤ 2 000		2 000 < L ≤ 3 000		3 000 < L ≤ 4 000		4 000 < L ≤ 4 500		4 500 < L ≤ 4 800		4 800 < L ≤ 5 000		5 000 < L ≤ 6 000	
	Wind resistance class	2	5	1	4	0	3	0	2	0	1	0	0	0	0
	Max. wind speed v _{max} (km/h)	38		28		19		11		5		1		0	
Max. effective height wing	H _{max} = 4000mm														
Additional thermal resistance ΔR		0,08 (m ² .K/W)													
Total solar energy transmittance g _{tot}		0,032 - 0,094 (according to the selected slat color)*													

Z90 - corner

Essential characteristics		Performance															
Odolnost proti větru	Width of construction hole L (mm)	L ≤ 1 000				1 000 < L ≤ 2 000				2 000 < L ≤ 3 000				3 000 < L ≤ 4 000			
	Standard EN/Beaufort	13659		Beaufort		13659		Beaufort		13659		Beaufort		13659		Beaufort	
	Wind resistance class	4		7		3		6		2		5		1		4	
	Max. wind speed v _{max} (km/h)	v ≤ 61 km/h				v ≤ 49 km/h				v ≤ 38 km/h				v ≤ 28 km/h			
	Max. effective height wing	H _{max} = 4000mm															
	Width of construction hole L (mm)	4 000 < L ≤ 4 500				4 500 < L ≤ 5 000				5 000 < L ≤ 5 500				5 500 < L ≤ 6 000			
	Wind resistance class	(0)		3		(0)		2		(0)		1		(0)		0	
	Max. wind speed v _{max} (km/h)	v ≤ 19 km/h				v ≤ 11 km/h				v ≤ 5 km/h				v ≤ 1 km/h			
Max. effective height wing	H _{max} = 4000mm																
Additional thermal resistance ΔR		0,08 (m ² .K/W)															
Total solar energy transmittance g _{tot}		0,032 - 0,094 (according to the selected slat color)*															

The width of the construction opening means the sum of the widths of both individual blinds that make up a complete set of the given corner blind.

Cetta 60 Flexi - wire

Essential characteristics		Performance													
Wind resistance	Width of construction hole L (mm)	L ≤ 800		800 < L ≤ 2 000		2 000 < L ≤ 3 000		3 000 < L ≤ 4 000		4 000 < L ≤ 4 500		4 500 < L ≤ 4 800			
	Standard EN/Beaufort	13659	Beaufort	13659	Beaufort	13659	Beaufort	13659	Beaufort	13659	Beaufort	13659	Beaufort		
	Wind resistance class	3	6	2	5	1	4	0	3	0	2	0	1		
	Max. wind speed v _{max} (km/h)	49		38		28		19		11		5			
	Max. effective height wing	H _{max} = 2500mm													
	Width of construction hole L (mm)	L ≤ 800		800 < L ≤ 2 000		2 000 < L ≤ 3 000		3 000 < L ≤ 4 000		4 000 < L ≤ 4 500		4 500 < L ≤ 4 800			
	Wind resistance class	2	5	1	4	0	3	0	2	0	1	0	0		
	Max. wind speed v _{max} (km/h)	38		28		19		11		5		1			
Max. effective height wing	H _{max} = 4000mm														
Additional thermal resistance ΔR		0,08 (m ² .K/W)													
Total solar energy transmittance g _{tot}		0,032 - 0,094 (according to the selected slat color)*													

Cetta 60 Flexi - channel

Essential characteristics		Performance															
Wind resistance	Width of construction hole L (mm)	L ≤ 1 000				1 000 < L ≤ 2 000				2 000 < L ≤ 3 000				3 000 < L ≤ 4 000			
	Standard EN/Beaufort	13659		Beaufort		13659		Beaufort		13659		Beaufort		13659		Beaufort	
	Wind resistance class	4		7		3		6		2		5		1		4	
	Max. wind speed v _{max} (km/h)	61				49				38				28			
	Max. effective height wing	H _{max} = 4000mm															
	Width of construction hole L (mm)	4 000 < L ≤ 4 500				4 500 < L ≤ 5 000				5 000 < L ≤ 5 500				5 500 < L ≤ 6 000			
	Wind resistance class	0		3		0		2		0		1		0		0	
	Max. wind speed v _{max} (km/h)	19				11				5				1			
Max. effective height wing	H _{max} = 4000mm																
Additional thermal resistance ΔR		0,08 (m ² .K/W)															
Total solar energy transmittance g _{tot}		0,032 - 0,094 (according to the selected slat color)*															

Cetta 80 Flexi - wire

Essential characteristics		Performance											
Wind resistance	Width of construction hole L (mm)	L ≤ 2 000		2 000 < L ≤ 2 500		2 500 < L ≤ 3 000		3 000 < L ≤ 3 400		3 400 < L ≤ 3 800		3 800 < L ≤ 4 000	
	Standard EN/Beaufort	13659	Beaufort	13659	Beaufort	13659	Beaufort	13659	Beaufort	13659	Beaufort	13659	Beaufort
	Wind resistance class	2	5	1	4	0	3	0	2	0	1	0	0
	Max. wind speed v _{max} (km/h)	38		28		19		11		5		1	
	Max. effective height wing	H _{max} = 2500mm											
	Width of construction hole L (mm)	L ≤ 2 000		2 000 < L ≤ 2 500		2 500 < L ≤ 3 000		3 000 < L ≤ 3 400		3 400 < L ≤ 3 800		3 800 < L ≤ 4 000	
	Wind resistance class	1	4	0	3	0	2	0	1	0	0	0	0
Max. wind speed v _{max} (km/h)	28		19		11		5		1		1		
Max. effective height wing	H _{max} = 4000mm												
Additional thermal resistance ΔR	0,08 (m ² .K/W)												
Total solar energy transmittance g _{tot}	0,032 - 0,094 (according to the selected slat color)*												

Cetta 80 Flexi - channel

Essential characteristics		Performance							
Wind resistance	Width of construction hole L (mm)	L ≤ 2 000		2 000 < L ≤ 3 000		3 000 < L ≤ 4 000		4 000 < L ≤ 4 500	
	Standard EN/Beaufort	13659	Beaufort	13659	Beaufort	13659	Beaufort	13659	Beaufort
	Wind resistance class	2	5	1	4	0	3	0	2
	Max. wind speed v _{max} (km/h)	38		28		19		11	
	Max. effective height wing	H _{max} = 4000mm							
	Width of construction hole L (mm)	4 500 < L ≤ 5 000				5 000 < L ≤ 6 000			
	Wind resistance class	0		1		0		0	
Max. wind speed v _{max} (km/h)	5				1				
Max. effective height wing	H _{max} = 4000mm								
Additional thermal resistance ΔR	0,08 (m ² .K/W)								
Total solar energy transmittance g _{tot}	0,032 - 0,094 (according to the selected slat color)*								

Cetta 80 Flexi - corner

Essential characteristics		Performance							
Wind resistance	Width of construction hole L (mm)**	L ≤ 1 000		1 000 < L ≤ 2 000		2 000 < L ≤ 3 000		3 000 < L ≤ 4 000	
	Standard EN/Beaufort	13659	Beaufort	13659	Beaufort	13659	Beaufort	13659	Beaufort
	Wind resistance class	4	7	3	6	2	5	1	4
	Max. wind speed v _{max} (km/h)	61		49		38		28	
	Max. effective height wing	H _{max} = 4000mm							
	Width of construction hole L (mm)	4 000 < L ≤ 4 500		4 500 < L ≤ 5 000		5 000 < L ≤ 5 500		5 500 < L ≤ 6 000	
	Wind resistance class	0	3	0	2	0	1	0	0
Max. wind speed v _{max} (km/h)	19		11		5		1		
Max. effective height wing	H _{max} = 4000mm								
Additional thermal resistance ΔR	0,08 (m ² .K/W)								
Total solar energy transmittance g _{tot}	0,032 - 0,094 (according to the selected slat color)*								

**The width of the construction opening means the sum of the widths of both individual blinds that make up a complete set of the given corner blind.

Cetta 80 - wire

Essential characteristics		Performance													
Wind resistance	Width of construction hole L (mm)	L ≤ 2 000		2 000 < L ≤ 3 000		3 000 < L ≤ 4 000		4 000 < L ≤ 4 500		4 500 < L ≤ 4 800		4 800 < L ≤ 5 000		5 000 < L ≤ 6 000	
	Standard EN/Beaufort	13659	Beaufort	13659	Beaufort	13659	Beaufort	13659	Beaufort	13659	Beaufort	13659	Beaufort	13659	Beaufort
	Wind resistance class	3	6	2	5	1	4	0	3	0	2	0	1	0	0
	Max. wind speed v _{max} (km/h)	49		38		28		19		11		5		1	
	Max. effective height wing	H _{max} = 2500mm													
	Width of construction hole L (mm)	L ≤ 2 000		2 000 < L ≤ 3 000		3 000 < L ≤ 4 000		4 000 < L ≤ 4 500		4 500 < L ≤ 4 800		4 800 < L ≤ 5 000		5 000 < L ≤ 6 000	
	Wind resistance class	2	5	1	4	0	3	0	2	0	1	0	0	0	0
Max. wind speed v _{max} (km/h)	38		28		19		11		5		1		0		
Max. effective height wing	H _{max} = 4000mm														
Additional thermal resistance ΔR	0,08 (m ² .K/W)														
Total solar energy transmittance g _{tot}	0,032 - 0,094 (according to the selected slat color)*														

Cetta 80 - channel

Essential characteristics		Performance							
Wind resistance	Width of construction hole L (mm)	L ≤ 1 000		1 000 < L ≤ 2 000		2 000 < L ≤ 3 000		3 000 < L ≤ 4 000	
	Standard EN/Beaufort	13659	Beaufort	13659	Beaufort	13659	Beaufort	13659	Beaufort
	Wind resistance class	6	9	5	8	4	7	3	6
	Max. wind speed v _{max} (km/h)	88		74		61		49	
	Max. effective height wing	H _{max} = 4000mm							
	Width of construction hole L (mm)	4 000 < L ≤ 4 500		4 500 < L ≤ 5 000		5 000 < L ≤ 5 500		5 500 < L ≤ 6 000	
	Wind resistance class	2	5	1	4	0	3	0	2
Max. wind speed v _{max} (km/h)	38		28		19		11		
Max. effective height wing	H _{max} = 4000mm								
Additional thermal resistance ΔR	0,08 (m ² .K/W)								
Total solar energy transmittance g _{tot}	0,032 - 0,094 (according to the selected slat color)*								

Cetta 100 Flexi - wire

Essential characteristics		Performance											
Wind resistance	Width of construction hole L (mm)	L ≤ 800		800 < L ≤ 2 000		2 000 < L ≤ 3 000		3 000 < L ≤ 4 000		4 000 < L ≤ 4 500		4 500 < L ≤ 4 800	
	Standard EN/Beaufort	13659	Beaufort	13659	Beaufort	13659	Beaufort	13659	Beaufort	13659	Beaufort	13659	Beaufort
	Wind resistance class	3	6	2	5	1	4	0	3	0	2	0	1
	Max. wind speed v _{max} (km/h)	49		38		28		19		11		5	
	Max. effective height wing	H _{max} = 2500mm											
	Width of construction hole L (mm)	L ≤ 800		800 < L ≤ 2 000		2 000 < L ≤ 3 000		3 000 < L ≤ 4 000		4 000 < L ≤ 4 500		4 500 < L ≤ 4 800	
	Wind resistance class	2	5	1	4	0	3	0	2	0	1	0	0
Max. wind speed v _{max} (km/h)	38		28		19		11		5		1		
Max. effective height wing	H _{max} = 4000mm												
Additional thermal resistance ΔR	0,08 (m ² .K/W)												
Total solar energy transmittance g _{tot}	0,032 - 0,094 (according to the selected slat color)*												

Cetta 100 Flexi - channel

Essential characteristics		Performance							
Wind resistance	Width of construction hole L (mm)	L ≤ 1 000		1 000 < L ≤ 2 000		2 000 < L ≤ 3 000		3 000 < L ≤ 4 000	
	Standard EN/Beaufort	13659	Beaufort	13659	Beaufort	13659	Beaufort	13659	Beaufort
	Wind resistance class	4	7	3	6	2	5	1	4
	Max. wind speed v _{max} (km/h)	61		49		38		28	
	Max. effective height wing	H _{max} = 4000mm							
	Width of construction hole L (mm)	4 000 < L ≤ 4 500		4 500 < L ≤ 5 000		5 000 < L ≤ 5 500		5 500 < L ≤ 6 000	
	Wind resistance class	0	3	0	2	0	1	0	0
Max. wind speed v _{max} (km/h)	19		11		5		1		
Max. effective height wing	H _{max} = 4000mm								
Additional thermal resistance ΔR	0,08 (m ² .K/W)								
Total solar energy transmittance g _{tot}	0,032 - 0,094 (according to the selected slat color)*								

Titan 90

Essential characteristics		Performance	
Wind resistance	Class 6 (for all dimensions)		
Additional thermal resistance ΔR	0,08 (m ² .K/W)		
Total solar energy transmittance g _{tot}	0,032 - 0,094 (according to the selected slat color)*		

Sloped blind Cetta 80F TE

Essential characteristics		Performance			
Wind resistance	Width of construction hole L (mm)	L ≤ 2 000		2 000 < L ≤ 2 500	
	Standard EN/Beaufort	13659	Beaufort	13659	Beaufort
	Wind resistance class	2	5	1	4
	Max. wind speed v _{max} (km/h)	38		28	
	H _{max} (mm)	2 500		2 500	
	Wind resistance class	1	4	0	3
	Max. wind speed v _{max} (km/h)	19		11	
H _{max} (mm)	4 000		4 000		
Additional thermal resistance ΔR	0,08 (m ² .K/W)				
Total solar energy transmittance g _{tot}	0,032 - 0,094 (according to the selected slat color)*				

VIVA

Essential characteristics		Performance	
Wind resistance	Class 3,4 (according to the slat type)		
Additional thermal resistance ΔR	0,08 (m ² .K/W)		
Total solar energy transmittance g _{tot}	0,032 - 0,094 (according to the selected slat color)*		

Windstabil (Z90, C80, S90)

Essential characteristics		Performance											
Wind resistance	Width of construction hole L (mm)	L ≤ 2 000		2 000 < L ≤ 3 000		3 000 < L ≤ 4 000		4 000 < L ≤ 4 500		4 500 < L ≤ 5 000		5 000 < L ≤ 5 400	
	Standard EN/Beaufort	13659	Beaufort	13659	Beaufort	13659	Beaufort	13659	Beaufort	13659	Beaufort	13659	Beaufort
	Wind resistance class	5	8	4	7	3	6	2	5	1	4	0	3
	Max. wind speed v _{max} (km/h)	74		61		49		38		28		19	
	Max. effective height wing	H _{max} = 2500mm											
	Width of construction hole L (mm)	L ≤ 2 000		2 000 < L ≤ 3 000		3 000 < L ≤ 4 000		4 000 < L ≤ 4 500		4 500 < L ≤ 5 000		5 000 < L ≤ 5 400	
	Wind resistance class	4	7	3	6	2	5	1	4	0	3	0	2
Max. wind speed v _{max} (km/h)	61		49		38		28		19		11		
Max. effective height wing	H _{max} = 4000mm												
Additional thermal resistance ΔR	0,08 (m ² .K/W)												
Total solar energy transmittance g _{tot}	0,032 - 0,094 (according to the selected slat color)*												

Basic Technical Specification**Engineering Limit Values**

Type	Width (mm)		Height (mm)	Area (m ²)			Guidance	Slat Weight (kg per m ²)	Blind Weight (kg per m ²)	Holder Weight (kg per m ²)	6 Nm Motor Weight (kg)
	min.	max.	max.	Cord	Handle	Motor					
Cetta 50	400/600**	3150	3000	6	8	10	wire / channel	0,76	2,1	0,087	1,84
Cetta 60 Flexi	600	4000	4000	-	8	16	wire / channel	1,31	3,30		
Cetta 65	600	6000*	4000	-	8	24	wire / channel	1,44	3,42		
Setta 65	600	6000*	4000	-	8	24	wire / channel	1,59	3,57		
Cetta 80 Flexi	600	4000	4000	-	8	16	wire / channel	1,12	3,55		
Cetta 100 Flexi	600	4000	4000	-	8	16	wire / channel	1,36	3,55		
Cetta 80	600	6000*	4000	-	8	24	wire / channel	1,54	3,47	0,35	
Cetta 80 -Slim				-	8	24	wire / channel	1,60	3,55		
Zetta 70				-	8	24	wire / channel	1,56	3,53		
Zetta 90				-	8	24	wire / channel	1,66	3,63		
Setta 90				-	8	24	wire / channel	1,66	3,63		
Titan 90	600	2800	4000	-	-	8	wire / channel	2,1	-	-	

Note: Two guidance types (wire / guiding channel) can be combined, or Venetian blind with no guidance can be chosen, for some Venetian blind types.

*Note: The wider the blind, the lower its wind resistance class - see "Wind resistance of exterior blinds", page 3-4.

** motor

Warning: Inclined slat operation cannot be avoided with small width.

PRODUCT TOLERANCES

Manufacturer: **ISOTRA a.s., Bílovecká 2411/1, 746 01 Opava, ID: 47679191**

Product: **EXTERNAL BLINDS**

The review should help you to recognize the permissible limits of compliance and incompliance. At the same time the sheet will help you with reasoning as regards any unjust claims of the clients.

External blinds comprise of many metal and textile elements with various material features and production tolerances. Despite the optimally selected products, deviations from ideal function may occur even in case of new installation due to the product tolerances.

The external blinds are permanently exposed to the effect of weather, particularly temperature, moisture content, wind, and contamination. They have a great effect on the function and appearance of external blinds.

The basic function of the blinds is fulfilled when the slats are turning, and when the light is not directly focused on the glazing in closed state.

The deviations from the table values can be corrected by our technicians within a specific scope.

Please, be aware:

The specified limit values are created based on the actual state of technology, respective technical standards, and based on many years of experience.

The table values are valid only for the external blinds within the permitted production dimensions available in our actual technical catalogue.

	Feature	Description of deviation	Tolerance
1	Blind width	Blind width up to 2000 mm	max 3mm
		Blind width from 2000mm to 4000mm	max 4mm
		Blind width over 4,000mm	max 5mm
2	Blind height	Blind height up to 1,500mm	max 4mm
		Blind height from 1500 to 2500mm	max 6mm
		Blind height over 2,500mm	max 10mm
3	Packet height	Packet height up to 2,500mm	+/-0.5% height EL
		Packet is higher than 2,500mm	+/-1 % height EL
4	Difference of the packet height	Between individual packets of the same height	max 20mm
5	The packet parallelism in the upper position	The height difference of the packets at height up to 3,500mm	+/- 30mm
		The height difference of the packets at height over 3,500mm	+/- 40mm
6	Tolerance for lamellas	Permitted deviation for twisting and longitudinal bending – lamella width up to 1 m	max 3mm
		Permitted deviation for twisting and longitudinal bending – lamella width up to 2m	max 4mm
		Permitted deviation for twisting and longitudinal bending – lamella width up to 3m	max 5mm
		Permitted deviation for twisting and longitudinal bending – lamella width up to 4m	max 6mm
		Permitted deviation for twisting and longitudinal bending – lamella width up to 5m	max 7mm
		Permitted deviation for twisting and longitudinal bending – lamella width over 5m	max 10mm
		Permitted deviation for longitudinal bending – lamella width up to 1 m	max 2mm
		Permitted deviation for longitudinal bending – lamella width up to 2m	max 3mm
		Permitted deviation for longitudinal bending – lamella width up to 3m	max 4mm
		Permitted deviation for longitudinal bending – lamella width up to 4m	max 5mm
		Permitted deviation for longitudinal bending – lamella width up to 5m	max 6mm
		Permitted deviation for longitudinal bending – lamella width over 5m	max 10mm
7	Bottom slat flexion	In the upper position at width over 800mm	max 15mm
		In the upper position at width under 800mm	max 30mm
		In the lower position	+/- 15mm/m
8	Oblique operation of the lower slat	Deviation from the balance up to height 3500mm	+/- 10mm
		Deviation from the balance over height 3500mm	+/-15mm
9	Oblique run of packet	Ladder braiding between slats	permissible
10	Packet operation length	Permanent length of the motor operation	max 4min
11	Tex	During the operation, visible tex location on lamellas	permissible
12	Light permeability – as per EN 14501	In closed state, there is no horizontal view from outside inside.	permissible
		In closed state, there is no horizontal view from inside outside.	permissible
13	Acoustics	The operation and disconnection sounds result from technical solutions.	permissible
		Noise as per the wind force and lamella position.	permissible
14	Tolerance for front covers	For input values a, b, c, d	+/- 2 mm

Calculation of solar and light transmittance

The standard CSN EN 13363-1+A1 Solar protection devices combined with glazing - Calculation of solar and light transmittance defines a simplified method of calculation of a sun protection device combined with glazing based on thermal transmittance and total solar transmittance through glazing, and on light transmittance and reflectivity of a sun protection device for the evaluation of total solar transmittance.

The method is applicable to any type of sun protection devices in parallel with glazing, such as shutters or blinds. Sun protection devices can be installed inside a protected room, outside or in a gap between double glazing. The method is applicable in cases when total solar transmittance through glazing ranges between 0.15 and 0.85. It is anticipated that roller shutters have to be fastened to prevent direct solar radiation. It is presumed that in exterior sun protection devices and in-built sun protection installations the space between sun protection devices and the glazing is not ventilated, whilst it is ventilated in interior sun protection installations.

Basic concepts used

Transmittance - radiation that is transmitted through window into an interior; radiation transmittance factor τ_e achieves values between 0 and 100; i.e. 0 to 1.

Reflection (take-off) - shine that is returned to the external area by window, coefficient of returned shine ρ_e acquires the values from 0 to 100 % that is 0 to 1.

Absorption - radiation that is absorbed by window and increases its temperature; the radiation factor α_e achieves values between 0 and 100; i.e. 0 to 1.

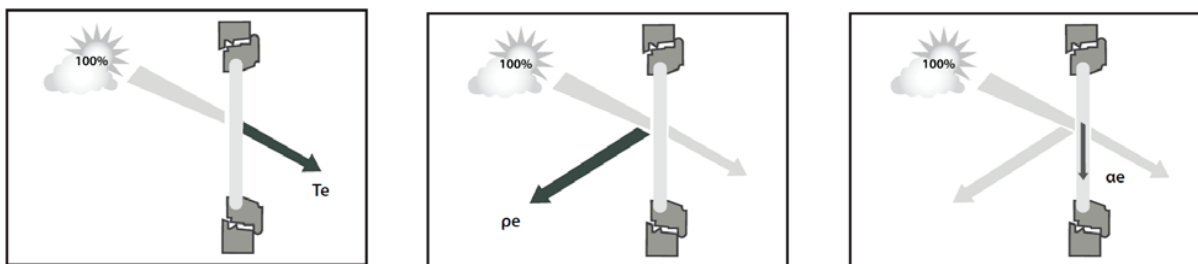
Emissivity - ability to radiate heat ϵ ; it applies that $\epsilon = \alpha$

As result, the following equation applies: $\tau_e + \rho_e + \alpha_e = 100 \%$; or 1.

Value of factor g for the calculation is usually defined by the manufacturer of window panes or windows.

g_{tot} - total solar transmittance factor with solar protection.

F_c - reduction coefficient. The value of the coefficient ranges between 0 (theoretically best protection from solar radiation) and 1 (zero protection from solar radiation; in that case it applies that: $g = g_{tot}$).



Type and specification of glazing:

Insulated transparent glazing (ČSN EN 14501)

Thermal transmittance	U_g	2,90	W/(m ² .K)
Overall solar transmittance	g	0,76	
Exterior shading $G=(1/U_g+1/G_1+1/G_2)-1$	G_1	5,00	W/(m ² .K)
	G_2	10,00	W/(m ² .K)
	G	1,55	W/(m ² .K)
Interior shading $G=(1/U_g+1/G_2)-1$	G_2	30,00	W/(m ² .K)
	G	2,64	W/(m ² .K)

Calculation g_{tot} :

- Exterior shading: $g_t = \tau_e * g + \alpha_e * G/G_2 + \tau_e * (1-g) * G/G_2$
- Interior shading: $g_t = g(1 - g * \rho_e - \alpha_e * G/G_2)$

Example of calculation n.1:

Exterior blind Iostrá, white aluminium colour (RAL 9006) + insulated transparent glazing

- Measured values:

Transmittance	τ_e	0,00
Reflectance	ρ_e	0,55
Absorption capacity	α_e	0,45

2. Values as per ČSN EN 13363-1+A1

Thermal transmittance through glass	U_g	2,90	W/(m ² .K)
Overall solar transmittance through glass	g	0,76	
	G₁	5,00	W/(m ² .K)
	G₂	10,00	W/(m ² .K)

3. Calculation

$$G = (1/U_g + 1/G_1 + 1/G_2) \cdot 1 = (1/2,9 + 1/5 + 1/10) \cdot 1 = \mathbf{1,55}$$

$$g_{tot} = \tau_e \cdot g + \alpha_e \cdot G/G_2 + \tau_e \cdot (1-g) \cdot G/G_2$$

$$g_{tot} = 0 \cdot 2,9 + 0,45 \cdot 1,55/10 + 0 \cdot (1-0,76) \cdot 1,55/10 = \mathbf{0,070}$$

$$F_c = g_{tot}/g = 0,07/0,76 = \mathbf{0,092}$$

Example of calculation n. 2:

Exterior blind Isotra, white aluminium colour (RAL 9006) + insulated transparent glazing, angle 45°

1. Calculation of transmittance, reflectance and absorptance:

Transmittance: $\tau_e = 0,65 \cdot \tau_e + 0,15 \cdot \alpha_e = 0,65 \cdot 0 + 0,15 \cdot 0,45 = \mathbf{0,07}$

Reflectance: $\rho_e = \rho_e \cdot (0,75 + 0,7 \cdot \tau_e) = 0,55 \cdot (0,75 + 0,7 \cdot 0) = \mathbf{0,41}$

Absorption capacity: $\alpha_e = 1 - \tau_e - \rho_e = 1 - 0,07 - 0,41 = \mathbf{0,52}$

2. Values as per ČSN EN 13363-1+A1

Thermal transmittance through glass	U_g	2,90	W/(m ² .K)
Overall solar transmittance through glass	g	0,76	
	G₁	5,00	W/(m ² .K)
	G₂	10,00	W/(m ² .K)

3. Calculation

$$G = (1/U_g + 1/G_1 + 1/G_2) \cdot 1 = (1/2,9 + 1/5 + 1/10) \cdot 1 = \mathbf{1,55}$$

$$g_{tot} = \tau_e \cdot g + \alpha_e \cdot G/G_2 + \tau_e \cdot (1-g) \cdot G/G_2 = \mathbf{0,137}$$

$$F_c = g_{tot}/g = 0,137/0,76 = \mathbf{0,18}$$

Solar and light transmittance according to CSN EN 13363-1+A1 for selected products of ISOTRA a.s.

Slat colour	Reflection (%)	Absorption (%)	gtot	Fc
RAL 7038	39	61	0,064	0,107
RAL 7048	34	66	0,069	0,114
RAL 9010	74	26	0,034	0,057
RAL 9016	76	24	0,032	0,054
RAL 9006	58	42	0,048	0,080
RAL 8014	8	92	0,091	0,152
RAL 7016	17	83	0,083	0,139
RAL 9007	39	61	0,064	0,107
RAL 1015	66	34	0,041	0,068
RAL 7039	17,9	82,1	0,082	0,14
RAL 1019	36,1	63,9	0,067	0,113
RAL 8019	15,1	84,9	0,085	0,144
YW359F	14,5	85,5	0,085	0,145
W210	31	69	0,071	0,119
DB 703	23	77	0,078	0,130
DB 702	29	71	0,073	0,122
VSR 780	22	78	0,079	0,132
RAL 3004	35	65	0,068	0,113
RAL 7022	18	82	0,083	0,138
RAL 7035	51	49	0,054	0,090
RAL 9005	5	95	0,094	0,156

*valid for glazing with parameters g = 0,59, Ug = 1,2 W/m²K

Wound Up Height

Wound Up Venetian Blind Height Including Head Rail and Bottom Rail without Blind holder



Gap between the lower edge of the channel and the first slat when closed.

Cetta 60 Flexi	32 - 92 mm
Cetta 65	32 - 92 mm
Cetta 80	35 - 103 mm
Cetta 80 Flexi	38 - 106 mm
Cetta 100 Flexi	45 - 130 mm
Zetta 70	44 - 104 mm
Zetta 90	62 - 142 mm
Setta 65	44 - 104 mm
Setta 90	66 - 152 mm
Titan 90	60 - 150 mm

The values fall within the manufacturing tolerance of the blind height.

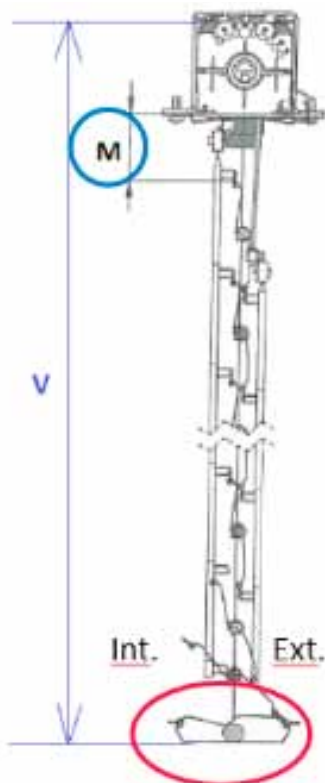
For the corner blind CORNER, the packet height is the same as in the standard blind depending on the slat type used.

The roll height of the Cetta 80F TE sloped telescopic blind is calculated in the order form – EXCEL.

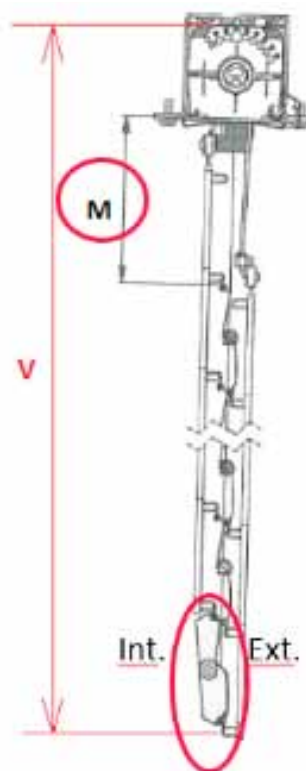
SLAT TYPE – STANDARD AND PERPENDICULAR BOTTOM RAIL

SLAT Z90

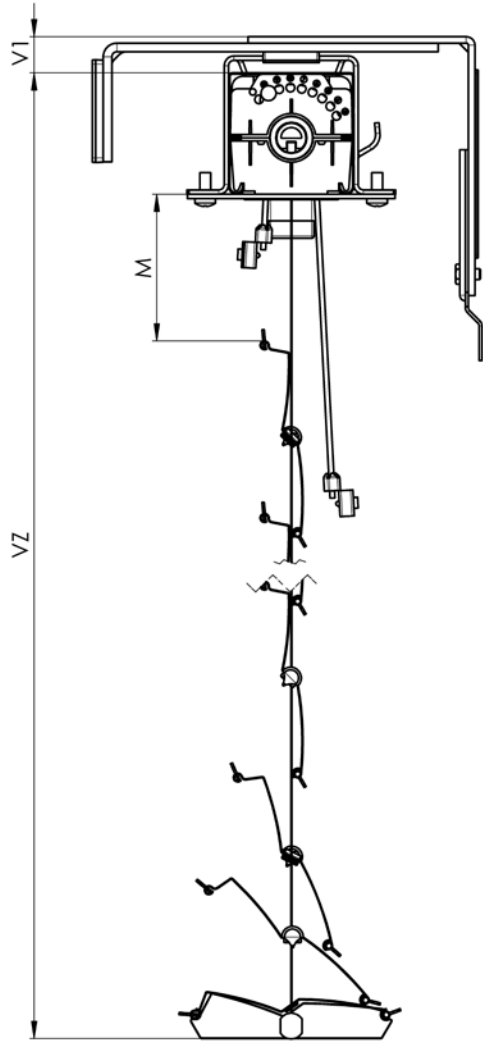
SLAT Z90 PERPENDICULAR BOTTOM RAIL



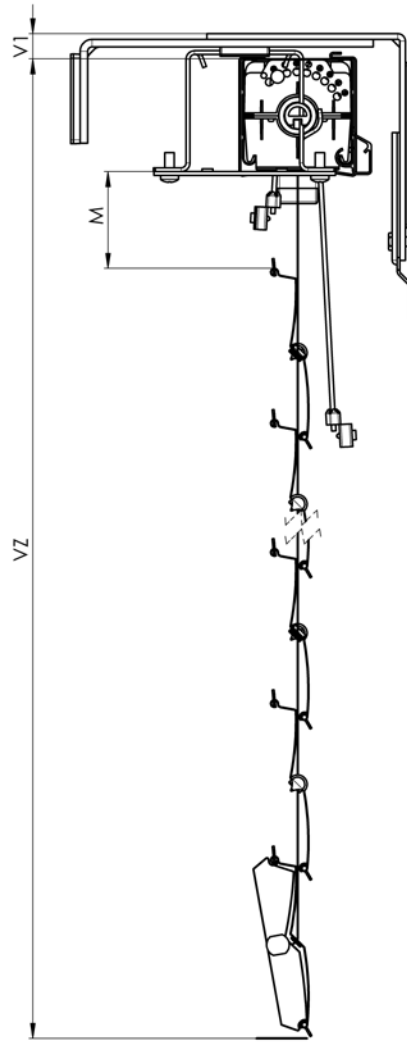
M - CONSTANT



M - VARIABLE



Z90 – STANDARD 2-00158-XXXX



Z90 – PERPENDICULAR BOTTOM RAIL 2-00158-XXXX

Blind Type Control - Handle	Coiling Height Based on Blind Height (mm)													
	500	600	700	800	900	1000	1100	1200	1300	1400	1500	1600	1700	1800
Cetta 50 - channel	125	140	150	160	170	180	190	200	210	225	230	245	255	260
Cetta 50 - wire	90	95	95	100	105	105	110	115	115	120	125	125	130	130
Cetta 65	135	145	150	160	170	175	180	190	195	205	210	215	225	235
Cetta 60 Flexi	105	105	110	115	115	120	125	125	130	130	135	140	145	145
Cetta 80 Flexi	100	105	105	110	110	115	115	120	120	125	125	125	130	130
Cetta 100 Flexi	100	100	105	105	105	110	110	110	115	115	120	120	120	125
Cetta 80	130	140	145	155	160	170	175	180	185	195	200	210	210	215
Cetta 80 Slim	110	115	120	125	130	135	140	150	150	160	165	170	175	180
Setta 65	115	125	130	140	150	150	160	170	175	185	195	200	205	215
Setta 90	105	110	115	120	125	135	135	140	145	150	155	165	170	175
Zetta 70	120	125	130	140	145	150	160	170	170	180	190	195	200	210
Zetta 90	110	115	125	130	135	135	145	150	155	160	170	175	180	180
Titan (Motor control)	150	158	165	180	188	195	203	218	225	233	240	255	263	270

Blind Type Control - Handle	Coiling Height Based on Blind Height (mm)													
	1900	2000	2100	2200	2300	2400	2500	2600	2700	2800	2900	3000	3100	3200
Cetta 50 - channel	275	285	295	305	315	330	335	345	360	370	380	390	400	410
Cetta 50 - wire	135	140	145	150	155	155	160	170	180	185	190	200	200	205
Cetta 65	245	255	260	265	275	285	290	295	305	310	320	325	330	340
Cetta 60 Flexi	150	155	155	160	165	165	170	175	175	180	180	185	190	195
Cetta 80 Flexi	135	135	140	145	145	150	150	155	155	160	160	165	165	170
Cetta 100 Flexi	125	130	130	130	135	135	140	140	145	145	145	150	150	155
Cetta 80	225	230	240	245	250	255	265	270	280	285	290	295	305	310
Cetta 80 Slim	185	190	195	205	205	215	220	220	230	235	240	245	250	255
Setta 65	220	230	240	245	255	265	265	275	285	290	300	310	315	320
Setta 90	180	180	185	195	200	205	210	215	220	225	230	235	240	245
Zetta 70	215	225	230	235	245	250	255	265	275	275	285	295	300	305
Zetta 90	190	195	200	205	215	220	225	225	235	240	245	250	260	265
Titan (Motor control)	278	293	300	308	315	330	338	345	353	368	375	383	390	405

Blind Type Control - Handle	Coiling Height Based on Blind Height (mm)													
	3300	3400	3500	3600	3700	3800	3900	4000	4100	4200	4300	4400	4500	4600
Cetta 50 - channel	420	430	445	450	465	475	480	495	-	-	-	-	-	-
Cetta 50 - wire	210	215	220	220	225	230	235	240	-	-	-	-	-	-
Cetta 65	350	355	365	370	375	385	395	405	415	425	430	440	445	450
Cetta 60 Flexi	195	200	205	205	210	215	215	220	220	225	230	235	235	240
Cetta 80 Flexi	170	170	175	175	180	180	185	190	190	195	195	200	200	205
Cetta 100 Flexi	155	155	160	160	165	165	165	170	170	175	175	175	180	180
Cetta 80	320	320	325	335	340	350	355	360	365	375	380	390	395	400
Cetta 80 Slim	265	265	275	275	285	290	295	300	305	310	315	320	325	335
Setta 65	330	335	345	355	360	370	380	380	390	400	405	415	425	430
Setta 90	250	260	265	270	270	275	280	285	295	300	305	310	315	315
Zetta 70	315	320	330	335	340	350	355	360	370	380	380	390	400	405
Zetta 90	270	270	280	285	290	295	305	310	315	315	325	330	335	340
Titan (Motor control)	413	420	428	443	450	458	465	480	-	-	-	-	-	-

Blind Type Control - Handle	Coiling Height Based on Blind Height (mm)													
	4700	4800	4900	5000	5100	5200	5300	5400	5500	5600	5700	5800	5900	6000
Cetta 50 - channel	-	-	-	-	-	-	-	-	-	-	-	-	-	-
Cetta 50 - wire	-	-	-	-	-	-	-	-	-	-	-	-	-	-
Cetta 65	460	470	475	485	490	500	510	520	525	530	540	545	555	560
Cetta 60 Flexi	245	245	250	255	255	260	260	265	270	270	275	280	285	285
Cetta 80 Flexi	205	210	210	215	215	220	220	220	225	225	230	235	235	240
Cetta 100 Flexi	185	185	190	190	190	195	195	200	200	200	205	205	210	210
Cetta 80	405	415	420	430	430	435	445	450	460	465	470	475	485	490
Cetta 80 Slim	335	345	350	355	360	365	370	375	380	390	390	400	405	405
Setta 65	435	445	450	460	470	475	485	495	495	505	515	520	530	540
Setta 90	325	330	335	340	345	350	360	360	365	370	375	380	390	395
Zetta 70	410	420	425	435	440	445	455	460	465	475	485	485	495	505
Zetta 90	350	355	360	360	370	375	380	385	395	400	405	405	415	420
Titan (Motor control)	-	-	-	-	-	-	-	-	-	-	-	-	-	-

Due to the unpredictable folding of the ladder between the slats of the C 80 and C65 blinds, we do not guarantee the exact height of the roll.

For motorized blinds, the height of the roll changes by + 20 mm (for Cetta 50 with channel 40x40 by +40 mm).

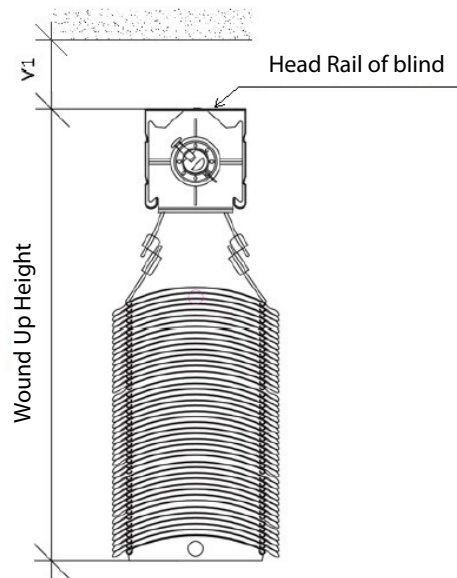
For all types of blinds, the height of the front cover (FC) should be increased by the height of the blind brackets (H1) and the thickness of the FC compared to the blind roll. We recommend 20mm unless more is required for anchorage reasons.

Notice: Max. guaranteed height of the Cetta 50 blind with channel 40x40: 3000 mm.

Products in this assortment group are always measured from the interior.

Abbreviations

- SZ - width of the blind
- VZ - height of the blind
- DL - length of the lamella
- VL - length of the guiding bar
- V1 - height by the holder type
- VL = VZ - 65 mm
- DVL - guide axis (blind axis)
- VP - packet height



Cetta 50



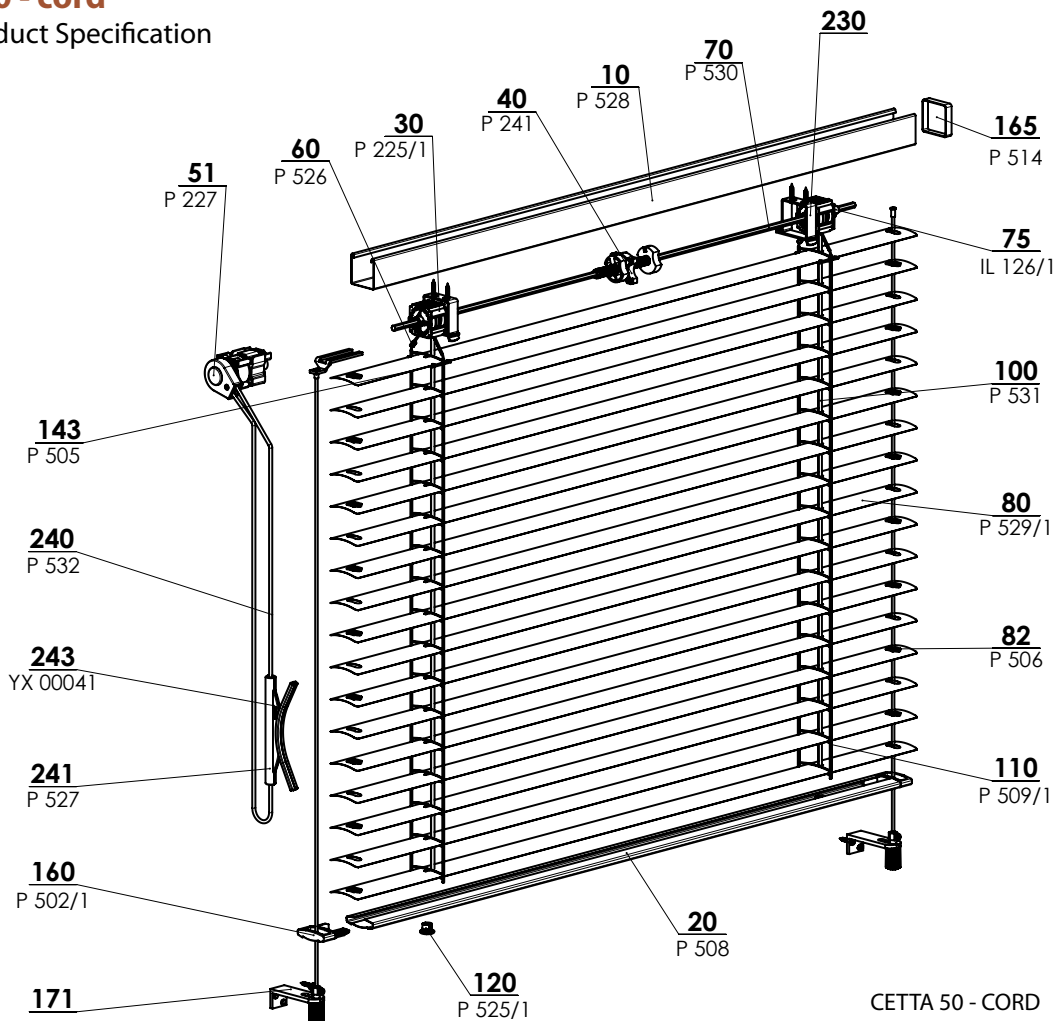
SLAT SHAPE

- ▲ Suitable for shading small areas
- ▲ Optional assembly in interior
- ▲ Electrical control option

ISOTRA *Quality*

Cetta 50 - cord

Basic Product Specification



Control

Used for pulling the blind up and down and setting the slat

Cord - a plastic cord bushing is installed on the window frame from the interior, which protects the cord against abrasion. The head rail is shortened by 20 mm against the required length from the control side in order to facilitate the cord gearing installation (color: black-white).

Handle - The control wand mechanism is protracted to the interior at the angle of 45° and 90° using a bushing and a hexagonal wand (color design: white / anodized).

Motor - Optional control using the sun / wind sensor or by a remote control or switch. One motor can control even more Venetian blinds simultaneously based on blind dimensions. The motor is then installed on one Venetian blind of the group.

Specification Cetta 50

	Head Rail			Bottom Rail	Slat	Side Guidance		Ladder	Textile Band	Assembly
	Cord/Handle	Motor	Motor			Steel Wire	Guiding Channel			
Commercial Name	P 528	P 001	P 001/2	P 508	P 529	P 501	See Chapter "Guidance" for guiding channel alternatives	P 509	P 531	See chapter "Assembly"
Dimension (mm)	40 x 40	56 x 58	58 x 60	49 x 12	0,23 x 50	ø 2,2		42 x 54	6 x 0,28	
Material	F440	Fe	Al	Fe	Al	Fe/PVC		PES	PES	
Color	Standard: RAL 9003 White RAL 9006 Silver galvanized (Fe profil); natural (Al profil) Other RAL colors sprayed, DECORAL Galvanized steel plate or anodized aluminum for motor alternative.				According to current ISOTRA a.s. scheme	grey black	Basic design – anodized Varnished in RAL colors Extra charge: other RAL, DECORAL	grey white	grey	

We do not make atypical designs.

Standard Dimensions

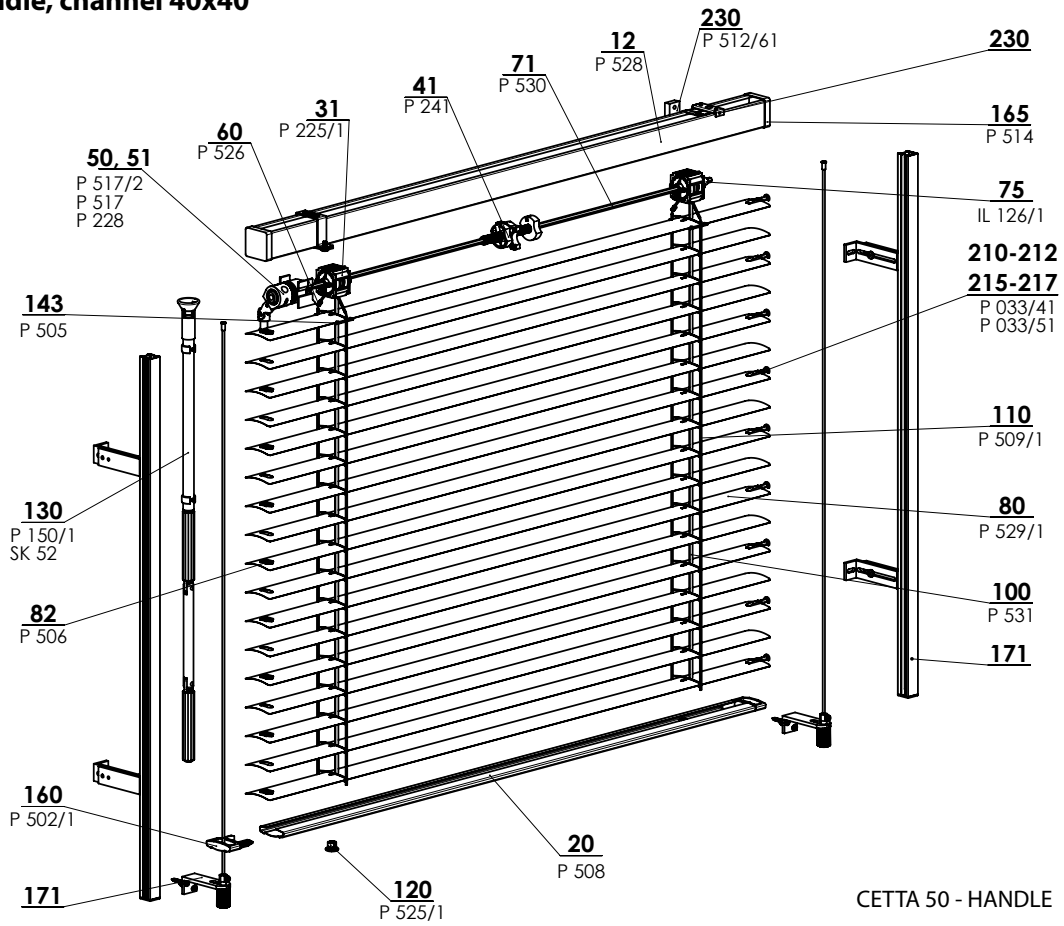
Width (mm)		Height (mm)		Guaranteed Area (m ²)
min.	max	min.	max	max.
400	3500	500	3000	6 (Cord control)
400	3500	500	3000	8 (Handle control)
600	3500	500	3000	10 (Motor control)

Cetta 50 - cord (2-00152-5001)

Position	Item name	Business name - Abbreviation 2	Order number - Abbreviation 1
10	Head rail 40x40	P 528	6-001277-xxxx
20	Bottom rail - 50 mm	P 508	6-001230-xxxx
30	Bearing C50 - without ball cord	P 225/1	2-00365-0000
40	End stop 40x40	P 241	2-00049-0000
51	Gearing 40x40 - plastic - cord	P 227	2-00133-XXXX
60	Ladder connector	P 526	6-001275-0000
70	Tilt rod - hexagonal 6 mm	P 530	6-001278-0000
75	Hexagonal metal ring	P 529/1	6-010981-0000
80	Al slat		See Slats
80	End guidance "C" L+R	P 033/41	3-03967-XXXX
80	End guidance "C" L+R (metal)	P 033/51	3-03964-PU19
82	Pad for slat and wire	P 506	3-00170-0000
100	Texband	P 531	6-001284-xxxx
110	Ladder C50	P 509/1	6-010452-xxxx
120	Bottom rail plug	P 525/1	6-001273-0001
143	Fixed bracket for slat 50 mm	P 505	6-001226-0000
160	Bottom rail cover C50	P 502/1	6-004280-XXXX
165	Side head rail cover	P 514	6-001245-0000
171	Guidance - wire/guiding channel + holder		See Guidance
230	Blind holders		See Blind Holders
240	Cord grey	P 532	6-001258-xxxx
241	Cord holder	P 527	6-001276-9010
242	Bushing cord - white	P 515	6-001248-0000
243	Cord holder	XY 00041	3-02427-0000
242	Bushing cord - white	P 515	6-001248-0000
243	Cord holder	XY 00041	3-02427-0000

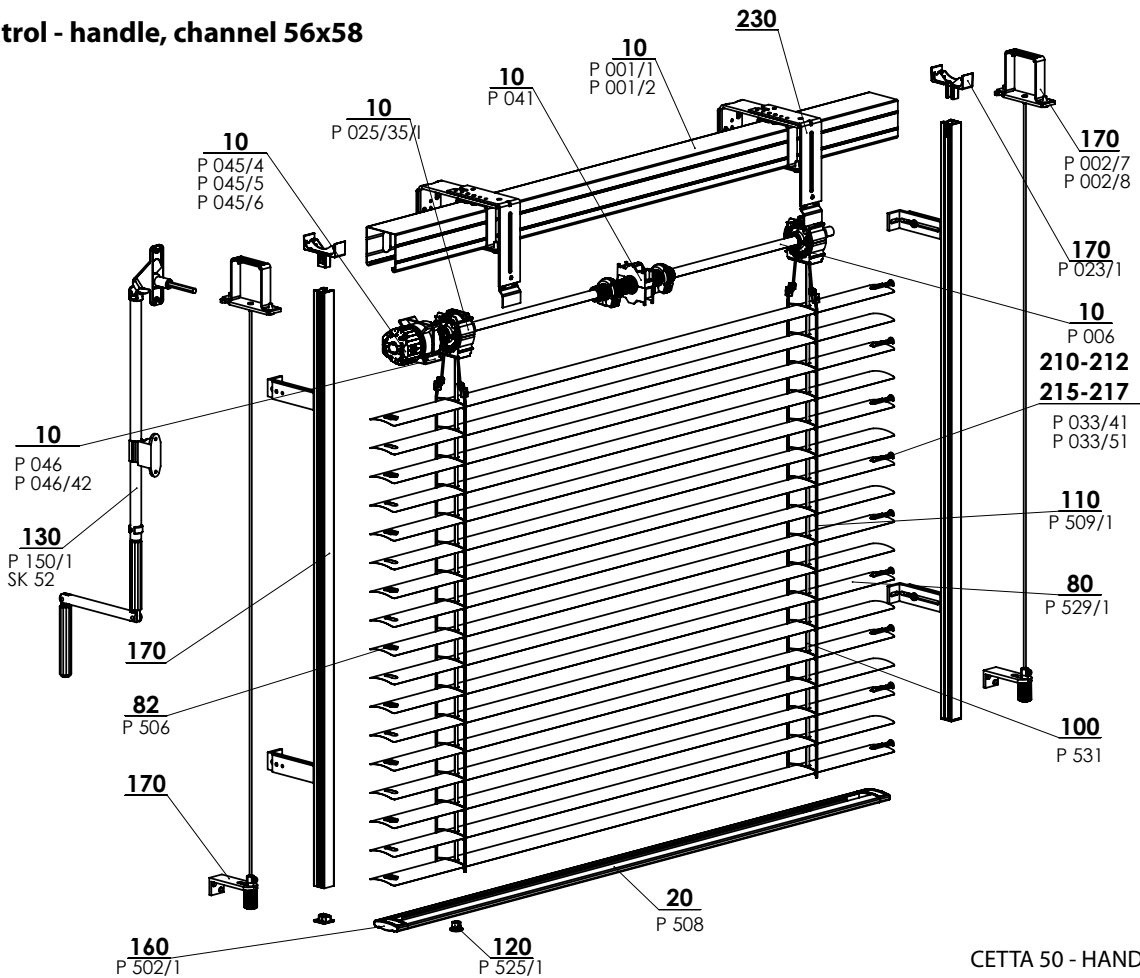
Cetta 50 - handle

Control - handle, channel 40x40



CETTA 50 - HANDLE 2-00151-XXXX-H

Control - handle, channel 56x58



CETTA 50 - HANDLE 2-00151-XXXX-H

Cetta 50 - handle (2-00151-5001)

Position	Item name	Business name - Abbreviation 2	Order number - Abbreviation 1
10	Head rail, Fe 56x58	P 001/1	3-00166-PU22
10	Head rail, Al 58x60	P 001/2	7-301180-0000
10	End stop 56x58	P 041	2-00048-9004
10	Bearing C35/C50 - new	P 025/35/l	2-01864-9004
10	Gearing plastic 4 mm hexagonal, STS-extended	P 045/4	6-008115-0000
10	Gearing plastic 8 mm hexagonal 14 mm exit, 46 mm	P 045/5	6-013232-0000
10	Gearing plastic 6 mm hexagonal 14 mm exit, 46 mm	P 045/6	6-013233-0000
10	Gearing holder	P 046	6-001181-0000
10	Gearing holder 111 510 Stoma, inbus	P 046/42	6-014239-0000
10	Shaft	P 006	7-300198-0000
12	Head rail 40x40	P 528	6-001277-xxxx
20	Bottom rail - 50 mm	P 508	6-001230-xxxx
31	Bearing C50 - without ball cord	P 225/1	2-00365-0000
41	End stop 40x40	P 241	2-00049-0000
50	Hexagonal gearing	P 517	6-001250-0000
50	Hexagonal gearing - interior	P 517/2	6-001250-0002
51	Gearing 40x40 - plastic	P 228	2-00132-0000
60	Ladder connector	P 526	6-001275-0000
71	Tilt rod - hexagonal 6 mm	P 530	6-001278-0000
75	Hexagonal metal ring	IL 126/1	6-010981-0000
80	Al slat		See Slats
82	Pad for slat and wire	P 506	3-00170-0000
100	Texband 6x0,28 mm	P 531	6-001284-xxxx
110	Ladder C50	P 509/1	6-010452-xxxx
120	Bottom rail plug	P 525/1	6-001273-0001
130	Handle		See Controls
143	Fixed bracket for slat 50 mm	P 505	6-001226-0000
160	Bottom rail cover C50	P 502/1	6-004280-xxxx
165	Side head rail cover	P 514	6-001245-0000
170, 171	Guidance - wire/guiding channel + holder		See Guidance
210, 215	End guidance "C" L+R	P 033/41	3-03967-XXXX
211, 216	End guidance "C" L+R (metal)	P 033/51	3-03964-PU19
230	Blind holder		See Blind Holders

Slats

Control

Guidance

Blinds Holders

Front Covers

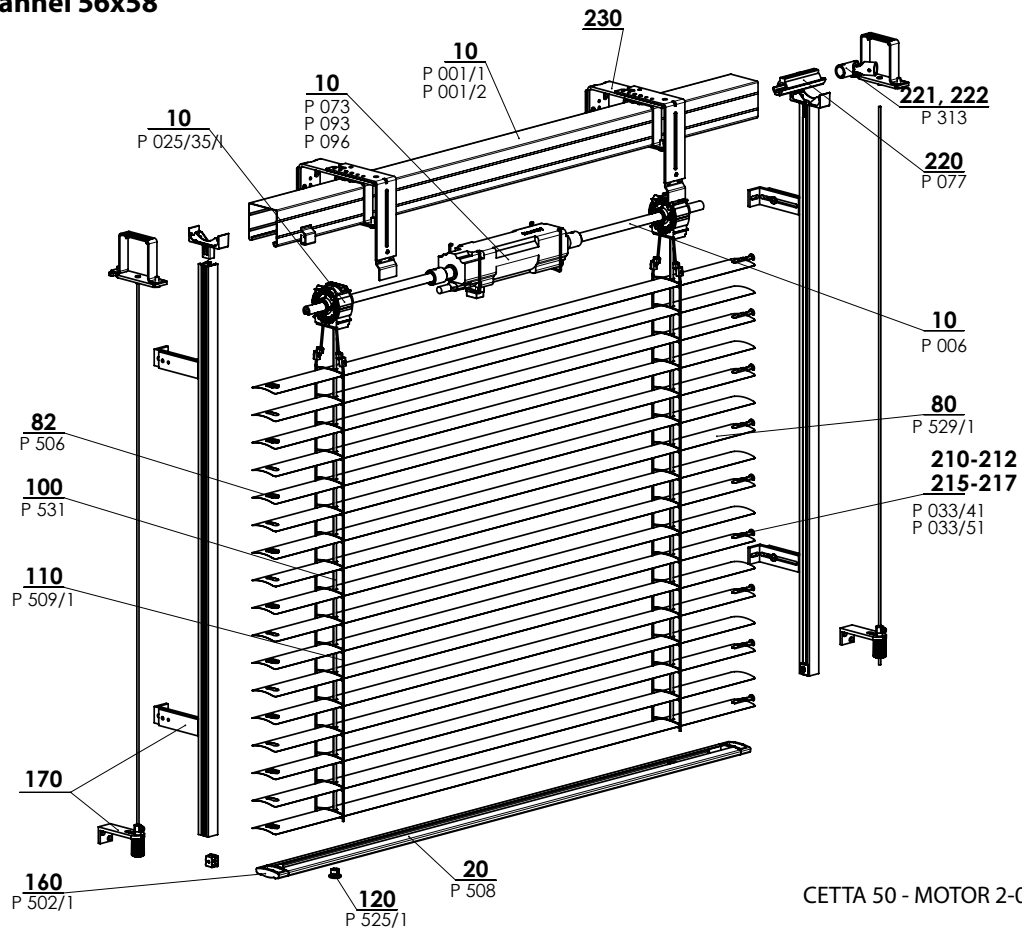
Measurement and Assembly

Alternative Designs

Special Designs

Cetta 50 - motor

Control - motor, channel 56x58



CETTA 50 - MOTOR 2-00301-XXXX-J

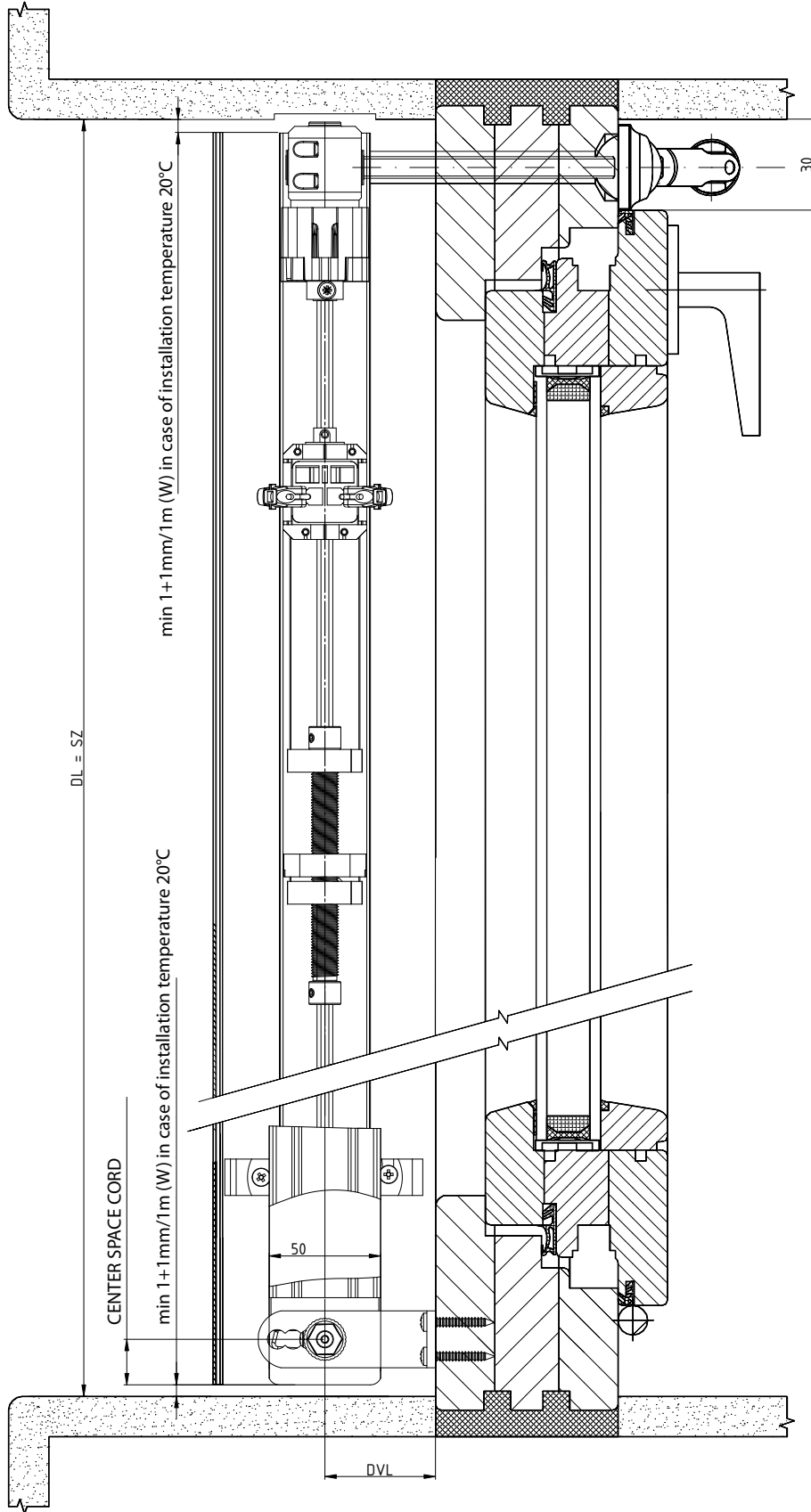
Cetta 50 - motor (2-00301-5001)

Position	Item name	Business name - Abbreviation 2	Order number - Abbreviation 1
10	Head rail, Fe 56x58	P 001/1	3-00166-PU22
10	Head rail, Al 58x60	P 001/2	7-301180-0000
10	Bearing C35/C50 - new	P 025/35/1	2-01864-9004
10	Motors (SOMFY) EX. BLINDS	P 073	2-00512-0000
10	Motors (GEIGER) EX. BLINDS	P 093	2-00572-0000
10	Motors (ELERO) EX. BLINDS	P 096	2-00648-0000
10	Shaft	P 006	7-300198-0000
20	Bottom rail - 50 mm	P 508	6-001230-xxxx
31	Bearing C35/C50	P 025/35	2-01100-9004
50	Motor		See Controls
80	Al slat		See Slats
82	Pad for slat and wire	P 506	3-00170-0000
100	Texband 6x0,28 mm	P 531	6-001284-xxxx
110	Ladder C50	P 509/1	6-010452-xxxx
120	Bottom rail plug	P 525/1	6-001273-0001
160	Bottom rail cover C50	P 502/1	6-004280-xxxx
170, 171	Guidance - wire/guiding channel + holder		See Guidance
210, 215	End guidance "C" L+R	P 033/41	3-03967-XXXX
211, 216	End guidance "C" L+R (metal)	P 033/51	3-03964-PU19
220	Rod connector	P 077/3	6-017032-0000
221	Rod connector	P 313	6-003075-0000
222	Rod connector	P 313	6-003075-0000
230	Blind holder		See Blind Holders

CETTA 50 EXTERIOR BLIND DIAGRAM

HORIZONTAL SECTION

HANDLE CONTROL

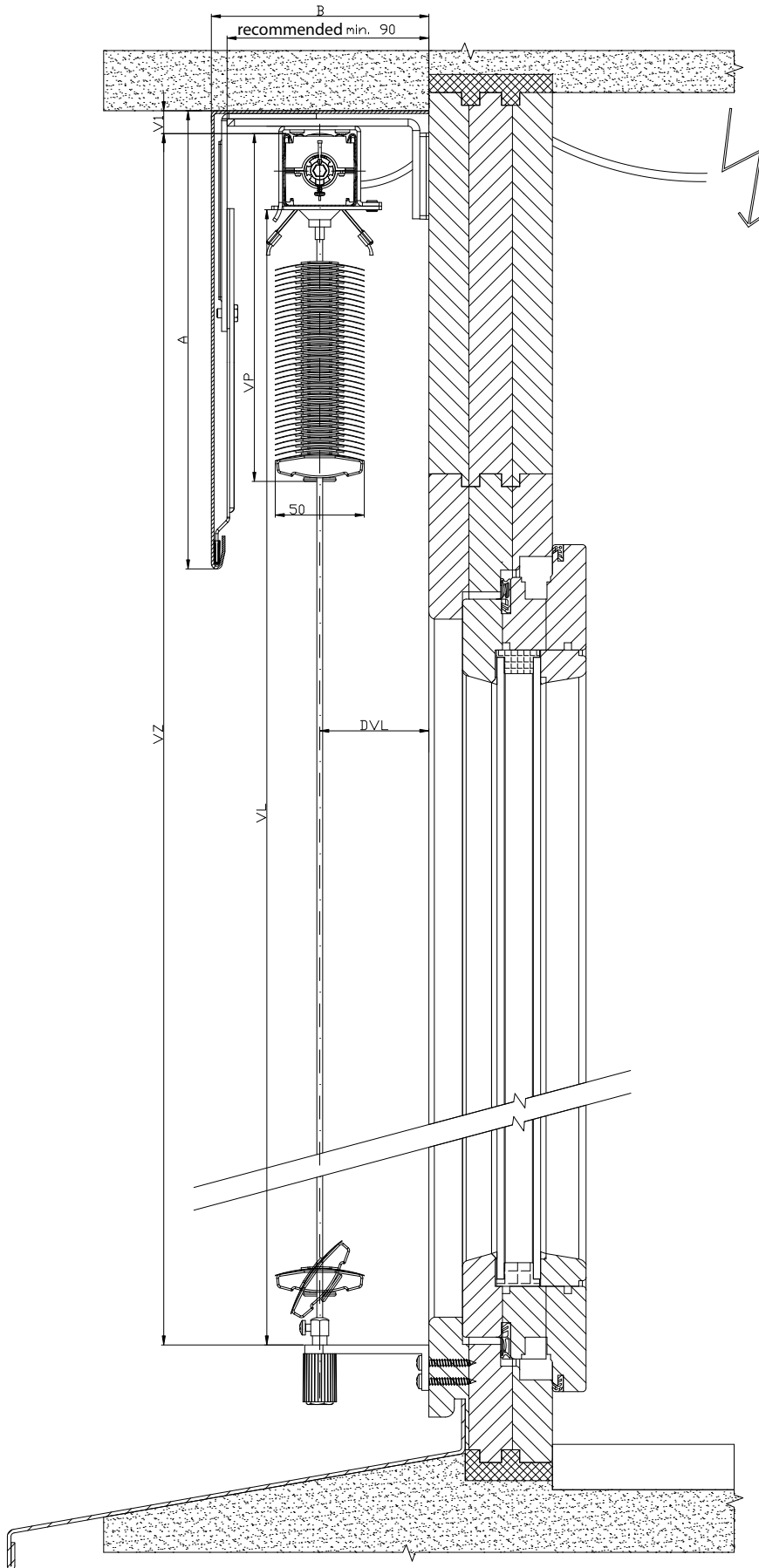


2-01825-0077-0

CETTA 50 EXTERIOR BLIND DIAGRAM

VERTICAL SECTION

HANDLE CONTROL

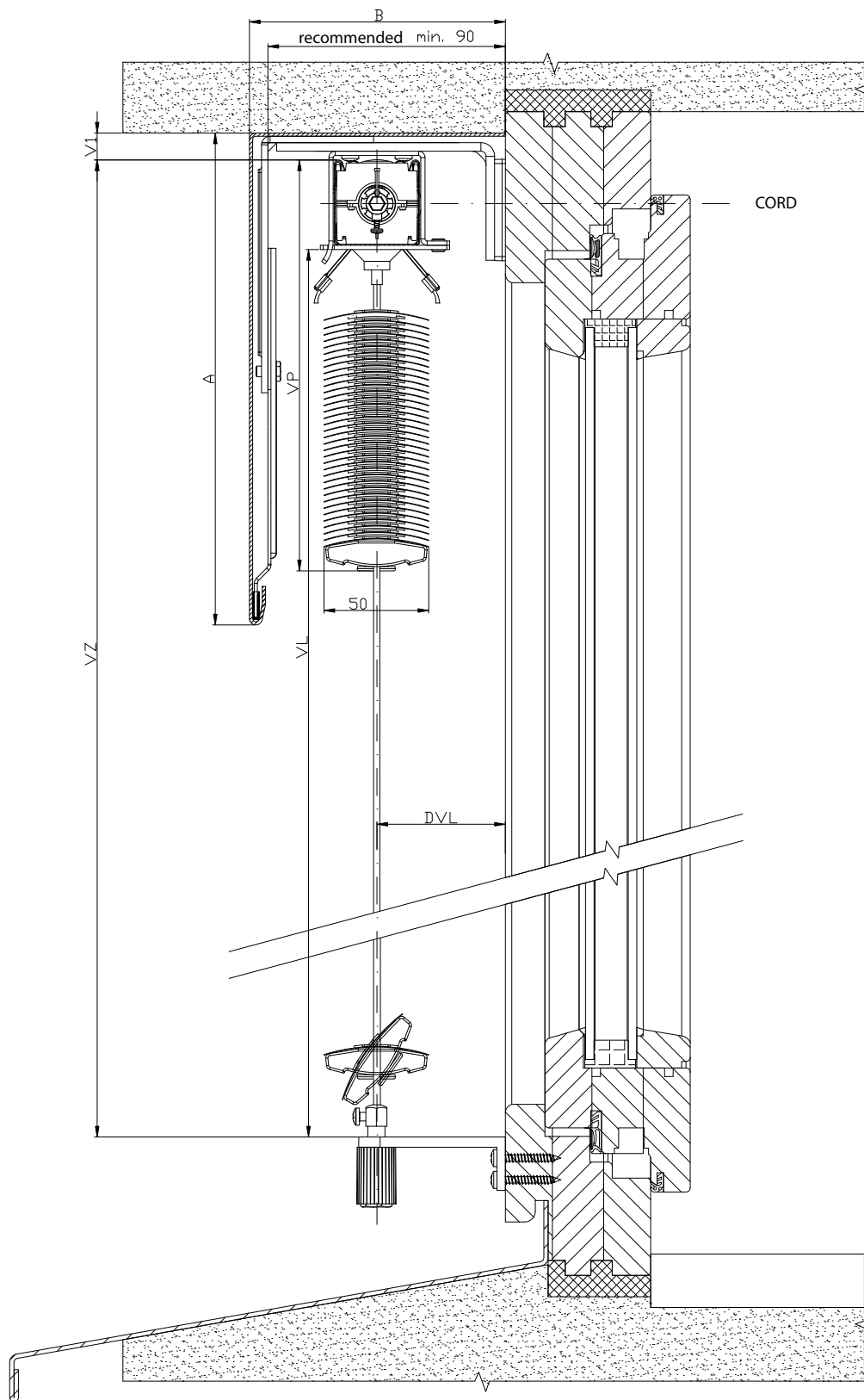


2-01825-0003-0

CETTA 50 EXTERIOR BLIND DIAGRAM

VERTICAL SECTION

ENDLESS CORD



2-01825-0002-0

Slats

Control

Guidance

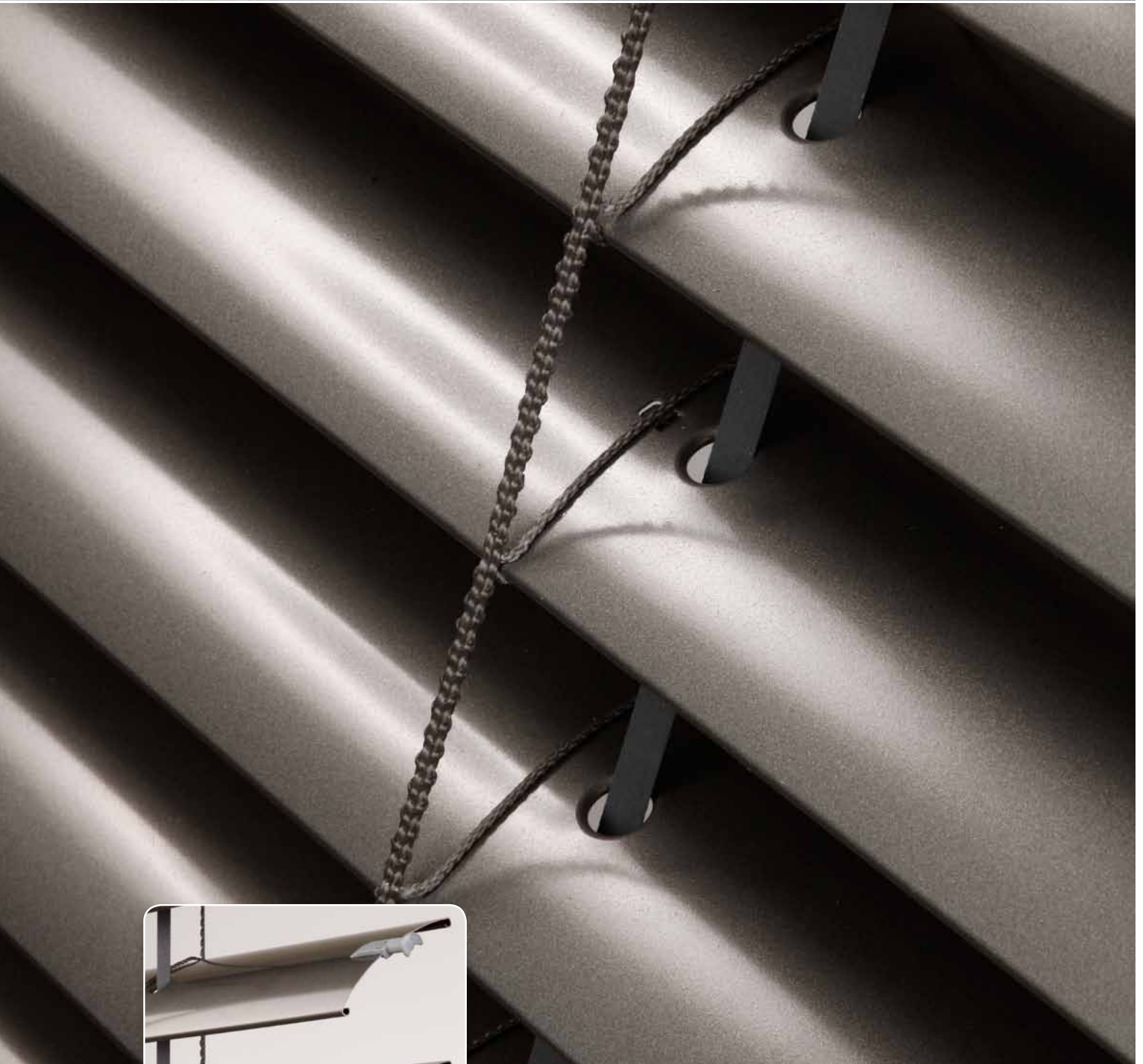
Blinds Holders

Front Covers

Measurement and Assembly

Alternative Designs

Special Designs

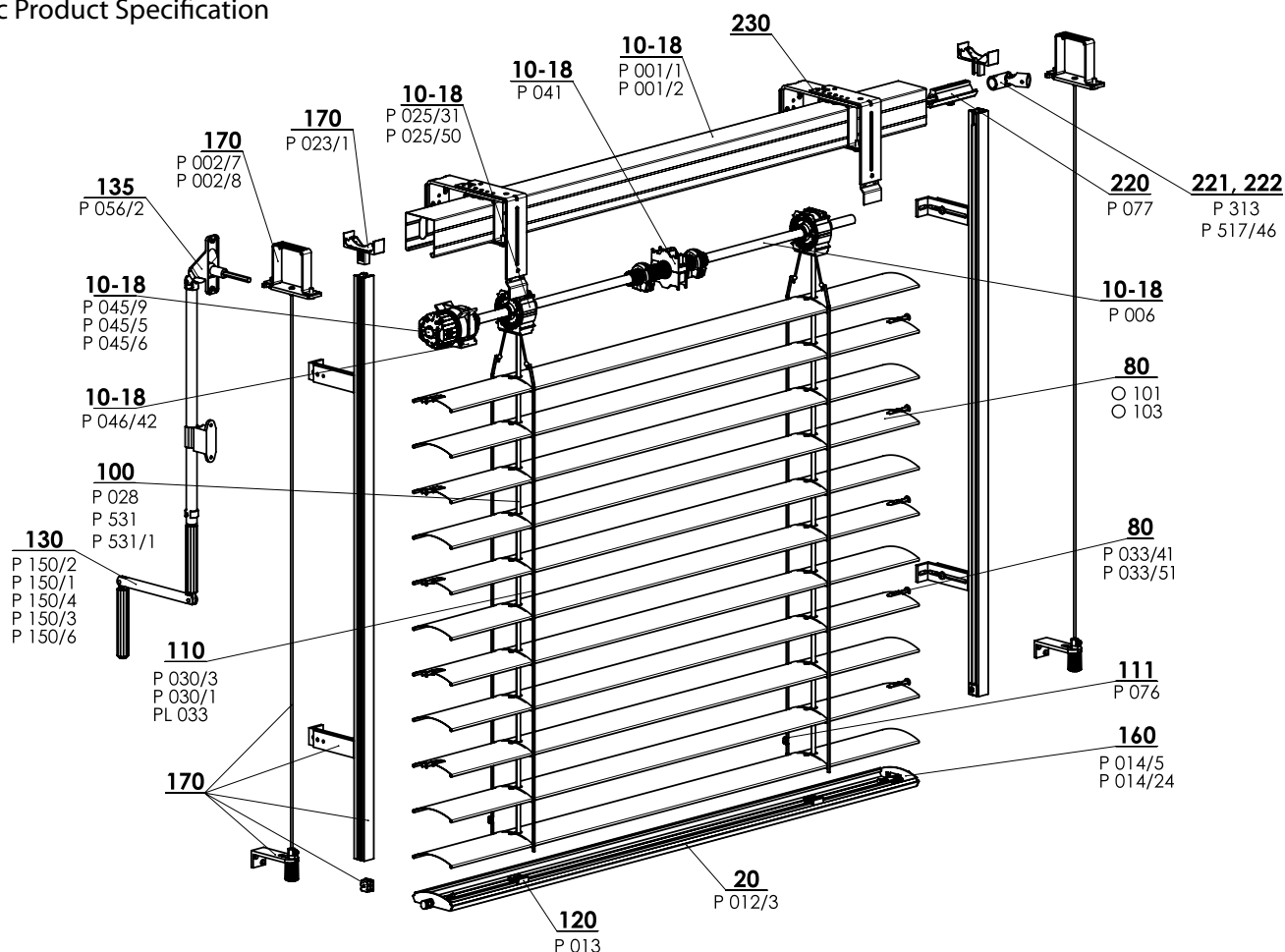


SLAT SHAPE

- ▲ Bottom rail made of extruded aluminum
- ▲ Higher slat rigidity
- ▲ Electrical control option
- ▲ Slim - low roll height - specific folding of slats

Cetta 65, 80 - handle

Basic Product Specification



CETTA 65/80 - HANDLE 2-00171-XXXX-

Specification Cetta 65

	Head Rail		Bottom Rail	Slat	Side Guidance		Ladder	Textile Band	Assembly
	P 001 56 x 58 Fe	P 001/2 58 x 60 Al	P 012/2 67 x 13 Al	O 101 0,42 x 83 Al	Steel Wire	Guiding Channel			
Commercial Name					P 036	See Chapter "Guidance" for guiding channel alternatives	P 030/2 58 x 70 PES	P 531 P 531/1 6x0,28 PES	See chapter „Assembly“
Dimension (mm)									
Material					Fe/PVC				
Color	Standard: galvanized steel plate natural (Al profil) Other RAL colors sprayed, DECORAL*		Standard: anodized aluminum Other RAL colors sprayed, DECORAL*	According to current ISOTRA a.s. scheme	grey	Basic design - anodized Varnished in RAL colors, DECORAL*	grey black	grey black	

Specification Cetta 80

	Head Rail		Bottom Rail	Slat	Side Guidance		Ladder	Textile Band	Assembly
	P 001 56 x 58 Fe	P 001/2 58 x 60 Al	P 012/3 80 x 13 Al	O 103 0,42 x 98 Al	Steel Wire	Guiding Channel			
Commercial Name					P 036	See Chapter "Guidance" for guiding channel alternatives	P 030/1 68 x 85 PES	P 531 P 531/1 6x0,28 PES	See chapter „Assembly“
Dimension (mm)									
Material					Fe/PVC				
Color	Standard: galvanized steel plate natural (Al profil) Other RAL colors sprayed, DECORAL*		Standard: anodized aluminum Other RAL colors sprayed, DECORAL*	According to current ISOTRA a.s. scheme	grey	Standard: anodized Other RAL colors sprayed, DECORAL*	grey black	grey black	

*Maximum dimension 4000mm.

We do not make atypical designs.

Standard Dimensions

Width (mm)		Height (mm)		Guaranteed Area (m ²)
min.	max.	min.	max.	max.
600	6000*	500	4000	8 (Handle control)

* Note: The wider the blind, the lower its wind resistance class - see "Wind resistance of exterior blinds", page 3-6.

Cetta 65, Cetta 80 klika (2-00171-XXXX)

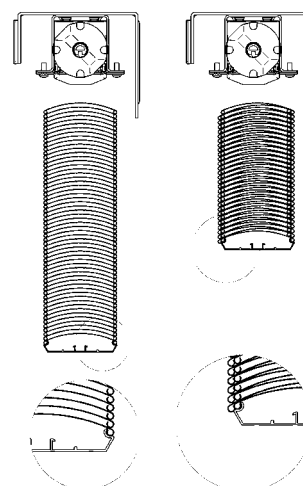
Position	Item name	Business name - Abbreviation 2	Order number - Abbreviation 1
10 - 18	Head rail 56x58 Fe	P 001/1	3-00166-PU22
10 - 18	Head rail 58x60 Al	P 001/2	3-00166-PU22
10 - 18	End stop 56x58	P 041	2-00048-0000
10 - 18	Gearing	P 045/9	6-010260-0000
10 - 18	Gearing – 6mm, hexagonal	P 045/6	6-013233-0000
10 - 18	Gearing – 8mm, square	P 045/5	6-013232-0000
10 - 18	Flat rod	P 006	7-300198-0000
10 - 18	Bearing Stoma AX, tilting 38 st.	P 025/50	6-009832-0000
10 - 18	Bearing C65, C80, Z70, S65	P 025/31	2-01098-9004
10 - 18	Gearing holder 111 510 Stoma, inbus	P 046/42	6-014239-0000
20	Bottom rail C80	P 012/33 0703	7-303929-0703
80	Slat C65 Al 0,42x83	O 101/XXXX	6-001072-XXXX
80	Slat C80 Al 0,42x98	O 103/XXXX	6-001076-XXXX
80	End guidance for slat C left + right	P 033/41	3-03967-XXXX
80	End guidance "C" L+R (metal)	P 033/51	3-03964-PU19
80	End guidance flat - metal - snapping	P 033/33	7-302174-PU19
100	Textile band 6x0,28 mm	P 531	6-001284-XXXX
100	Textile band 6x0,28 mm - black	P 531/1	6-012700-XXXX
100	Texband 8x0,34 mm grey/black	P 028	6-001157-XXXX
110	Ladder C65 60x72 grey/black	P 030/3	7-301848-XXXX
110	Ladder C80 68x85 grey/black	P 030/1	6-001160-XXXX
110	Ladder shortening comb	PL 033	6-006197-0000
111	River sleeve	P 076	3-02367-0000
120	Texband holder	P 013	2-00039-0000
130	Handle 45° / 90° square	P 150/2	2-00299-0000
130	Handle 45° / 90° hexagonal	P 150/1	2-00298-0000
130	Handle removable (90°) square	P 150/4	2-00581-0000
130	Handle without bushing	P 150/8	2-01302-0000
130	Handle with cardan (90°) square	P 150/3	2-00300-0000
135	Bushing 90° white/brown/grey SQ 8x250 (23x85 mm)	P 056/2 XXXX	6-006684-XXXX
160	End caps lock C65 left+right	P 014/5 XXXX	2-00600-xxxx
160	End caps lock C80 left+right	P 014/24 XXXX	2-01118-XXXX
170	Guidance - wire/guiding channel + holder (56x58) left		2-00557-L001
170	Guidance - wire/guiding channel + holder (56x58) right		2-00557-P001
170	Upper head rail hanger - Fe PROFILE WINDSTABIL	P 002/7	2-01128-0000
170	Upper head rail hanger - Al PROFILE WINDSTABIL	P 002/8	2-01294-0000
170	Locking holder of guide rail	P 023/1	3-02758-9004
170	End-cap	P 019/3	2-01097-9004
220	Rod connector	P 077	6-001198-0000
221	Rod connector - articulated C65/80 and Z70/90	P 313	6-003075-0000
222	Gearing corner, D-46mm	P 517/46	6-017225-0000
230	Blind holder		2-00649-0000

Blind height (mm)	Packet height	
	Cetta 80	Cetta 80-Slim
500	130	125
600	140	130
700	145	135
800	150	145
900	155	150
1000	165	155
1100	170	160
1200	180	165
1300	185	170
1400	190	180
1500	195	180
1600	205	190
1700	210	195
1800	215	195
1900	225	205
2000	230	205
2100	235	215
2200	240	220

Blind height (mm)	Packet height	
	Cetta 80	Cetta 80-Slim
2300	250	225
2400	255	230
2500	265	235
2600	265	240
2700	275	250
2800	280	255
2900	290	260
3000	295	265
3100	300	270
3200	305	275
3300	315	280
3400	320	285
3500	325	290
3600	335	295
3700	340	300
3800	345	305
3900	350	310
4000	360	320

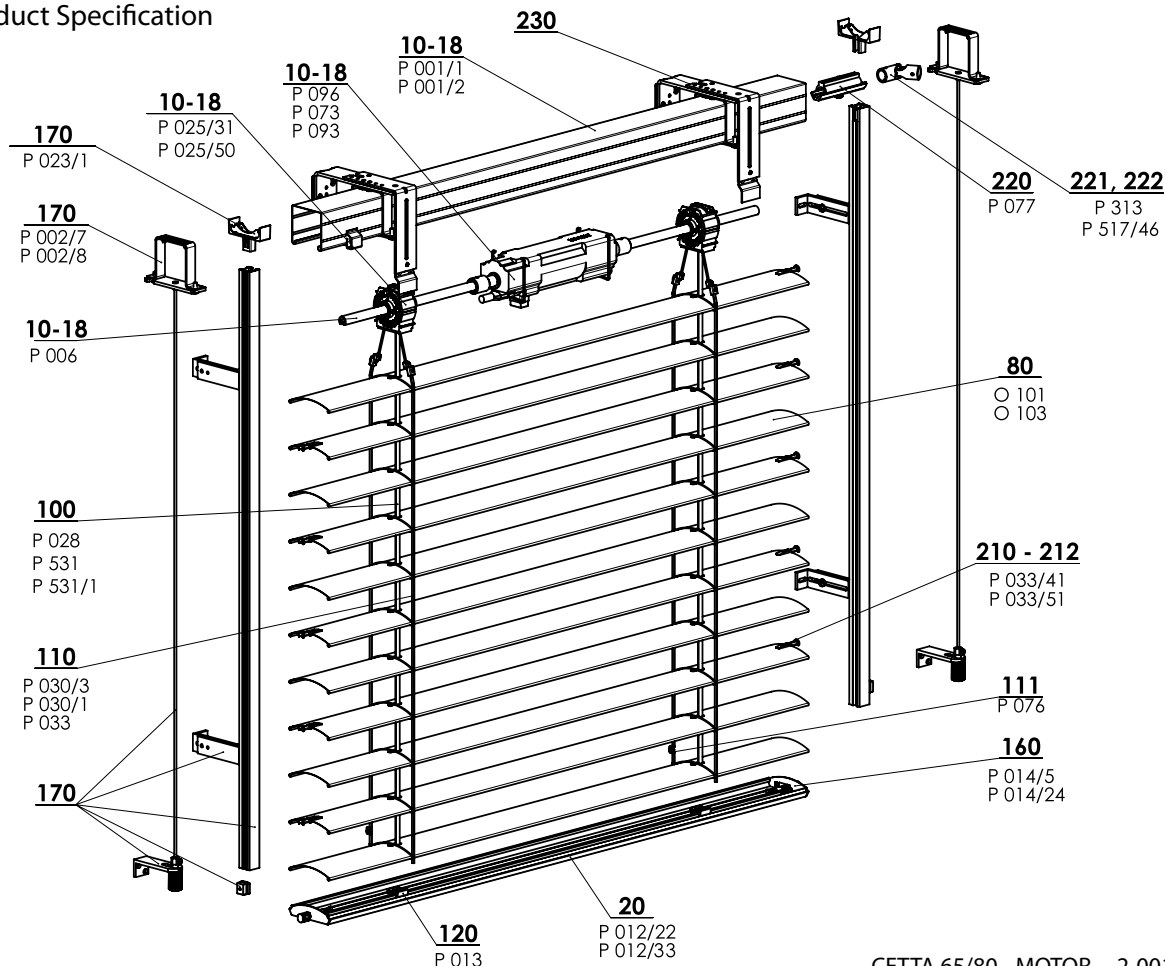
Cetta 80-Slim

Visible packet saving in comparison with Cetta 80.



Cetta 65, 80 – motor

Basic Product Specification



CETTA 65/80 - MOTOR 2-00172-XXXX-C

Specification Cetta 65

	Head Rail		Bottom Rail	Slat	Side Guidance		Ladder	Textile Band	Assembly
	P 001/1 56 x 58 Fe	P 001/2 58 x 60 Al	P 012/2 67 x 13 Al	O 101 0,42 x 83 Al	Steel Wire	Guiding Channel			
Commercial Name	P 001/1		P 012/2	O 101	P 036	Variants of guiding channels in Chapter "Guides"	P 030/2	P 531, P531/1	Variants of installation in Chapter "Assembly"
Dimension	56 x 58		67 x 13	0,42 x 83	ø 3,2		60 x 72	6 x 0,28	
Material	Fe		Al	Al	Fe/PVC		PES	PES	
Color	Standard: Galvanized steel plate natural (Al profile) Other RAL colors sprayed, DECORAL*		Standard: anodized aluminium Other RAL colors sprayed, DECORAL*	According to current ISOTRA a. s. scheme	grey black	Basic design - anodized Varnished in RAL colors, DECORAL*	grey black	grey black	

We do not make atypical designs.

Specification Cetta 80

	Head Rail		Bottom Rail	Slat	Side Guidance		Ladder	Textile Band	Assembly
	P 001/1 56 x 58 Fe	P 001/2 58 x 60 Al	P 012/23 80 x 13 Al	O 103 0,42 x 98 Al	Steel Wire	Guiding Channel			
Commercial Name	P 001/1		P 012/23	O 103	P 036	Variants of guiding channels in Chapter "Guides"	P 030/1	P 531, P531/1	Variants of installation in Chapter "Assembly"
Dimension	56 x 58		80 x 13	0,42 x 98	ø 3,2		68 x 85	6 x 0,28	
Material	Fe		Al	Al	Fe/PVC		PES	PES	
Color	Standard: Galvanized steel plate natural (Al profile) Other RAL colors sprayed, DECORAL*		Standard: anodized aluminium Other RAL colors sprayed, DECORAL*	According to current ISOTRA a. s. scheme	grey black	Basic design - anodized Varnished in RAL colors, DECORAL*	grey black	grey black	

*Maximum dimension 4000mm.

We do not make atypical designs.

Standard dimensions

Width (mm)		Height (mm)		Guaranteed area (m ²)
min.	max.	min.	max.	
600	6000*	500	4000	16 (Cetta 80 Flexi) 24

* Note: The wider the blind, the lower its wind resistance class - see "Wind resistance of exterior blinds", page 3-6.

Cetta 65, Cetta 80 motor (2-00172-XXXX)

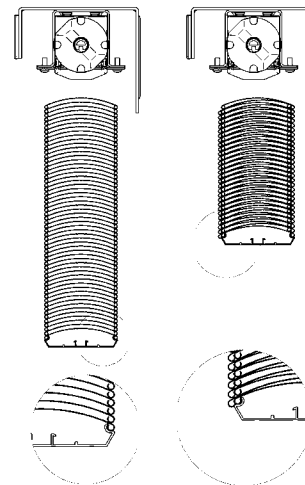
Position	Item name	Business name - Abbreviation 2	Order number - Abbreviation 1
10-18	Head rail 56x58 Fe	P 001/1	3-00166-PU22
10-18	Head rail 58x60 Al	P 001/2	7-301180-0000
10-18	Motors (ELERO) EX. BLINDS	P 096	2-00648-0000
10-18	Motors (SOMFY) EX. BLINDS	P 073	2-00512-0000
10-18	Motors (GEIGER) EX. BLINDS	P 093	2-00572-0000
10-18	Shaft	P 006	7-300198-0000
10-18	Bearing C65, C80, Z70, S65	P 025/31	2-01098-9004
10-18	Bearing Stoma AX, tilting 38 st.	P 025/50	6-009832-0000
20	Bottom rail profile C65 and Z70	P 012/22	7-302680-XXXX
20	Bottom rail profile C80	P 012/33 0703	7-303929-0703
80	Slat C65 Al 0,42x83	O 101/XXXX	6-001072-XXXX
80	Slat C80 Al 0,42x98	O 103/XXXX	6-001076-XXXX
100	Textile band 6x0,28 mm	P 531	6-001284-XXXX
100	Textile band 6x0,28 mm - black	P 531/1	6-012700-XXXX
100	Textile band 8x0,34 mm grey/black	P 028	6-001157-XXXX
110	Ladder C65 60x72 grey/black	P 030/3	7-301848-0000
110	Ladder C80 60x72 grey/black	P 030/1	6-001160-XXXX
110	Ladder shortening comb	PL 033	6-006197-0000
110	River sleeve	P 076	3-02367-0000
120	Textile band holder	P 013	2-00039-0000
160	End caps lock C65 left+right	P 014/5 XXXX	2-00600-XXXX
160	End caps lock C80 left+right	P 014/24 XXXX	2-01118-XXXX
170	Guidance - wire/guiding channel + holder LEFT		2-00557-L001
170	Guidance - wire/guiding channel + holder RIGHT		2-00557-P001
170	Head rail holder - Fe profile Windstabil	P 002/7	2-01128-0000
170	Head rail holder - Al profile Windstabil	P 002/8	2-01294-0000
170	Locking holder of guide rail	P 023/1	3-02758-9004
210-212	End guidance for slat "C" left+right	P 033/41	3-03967-XXXX
210-212	End guidance "C" L+R (metal)	P 033/51	3-03964-PU19
220	Rod connector	P 077	6-001198-0000
221	Rod connector - articulated C65/80 and Z70/90	P 313	6-003075-0000
222	Gearing corner, D-46mm	P 517/46	6-017225-0000
230	Blind holders		2-00649-0000

Blind height (mm)	Packet height	
	Cetta 80	Cetta 80-Slim
500	150	145
600	160	150
700	165	155
800	170	165
900	175	170
1000	185	175
1100	190	180
1200	200	185
1300	205	190
1400	210	200
1500	215	200
1600	225	210
1700	230	215
1800	235	215
1900	245	225
2000	250	225
2100	255	235
2200	260	240

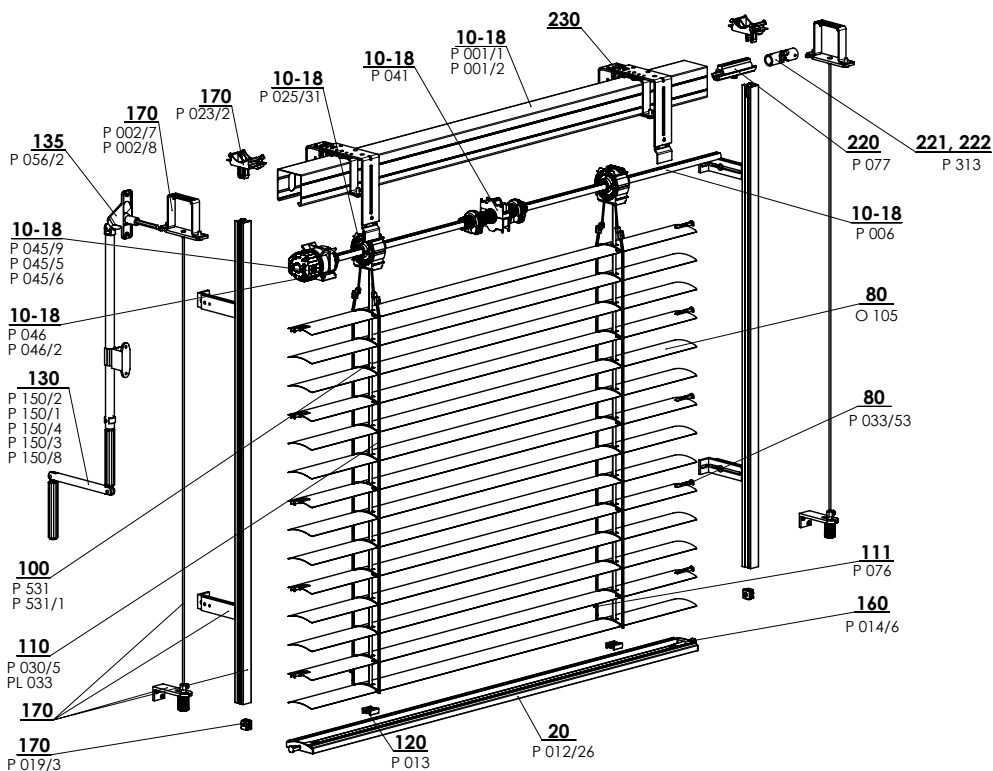
Blind height (mm)	Packet height	
	Cetta 80	Cetta 80-Slim
2300	270	245
2400	275	250
2500	285	255
2600	285	260
2700	295	270
2800	300	275
2900	310	280
3000	315	285
3100	320	290
3200	325	295
3300	335	300
3400	340	305
3500	345	310
3600	355	315
3700	360	320
3800	365	325
3900	370	330
4000	380	340

Cetta 80-Slim

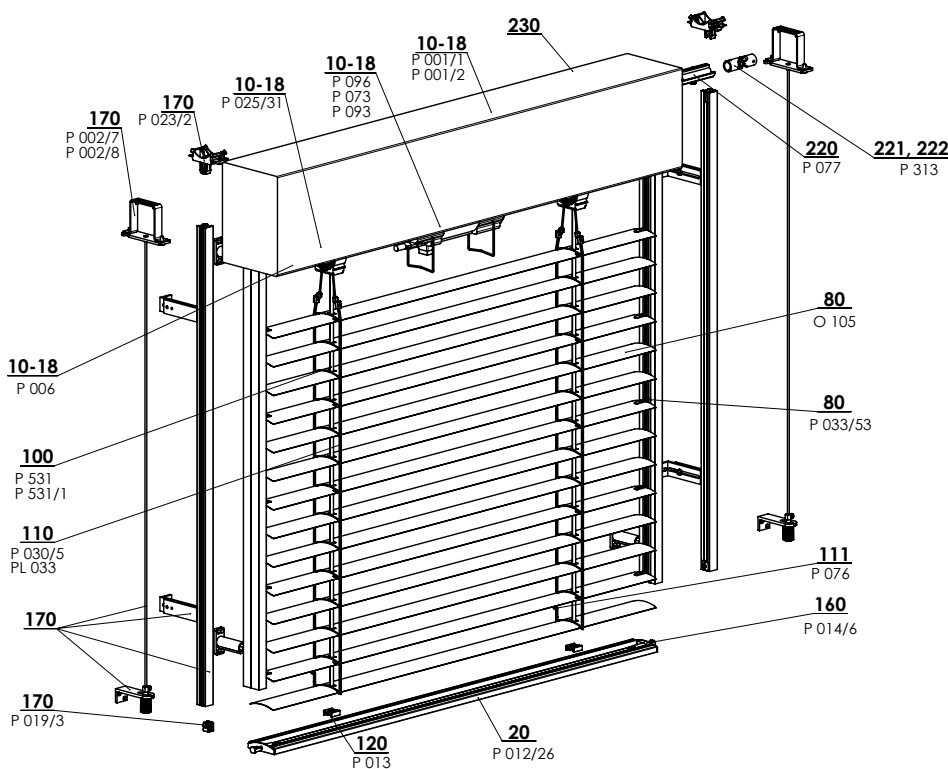
Visible packet saving in comparison with Cetta 80.



Cetta 60 Flexi
Basic Product Specification



FLEXI 60 - HANDLE 2-01439-XXXX-0



FLEXI 60 - MOTOR 2-01440-XXXX-A

Slats

Control

Guidance

Blinds Holders

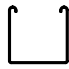
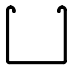


Front Covers

Measurement and Assembly

Alternative Designs

Special Designs

Specification Cetta 60 Flexi

	Head Rail		Bottom Rail	Slat	Side Guidance		Ladder	Textile Band
					Steel Wire	Guiding Channel		
Commercial Name Dimension (mm) Material	P 001/1 56 x 58 Fe 	P 001/2 58 x 60 Al 	P 021/26 64,5 x 12,7 Al 	O 105 0,40 x 60 Al 	P 036 ø 3,2 Fe/PVC	Variants of guiding channels in Chapter "Guides"	P 030/5 52 x 65 PES	P 531, P 531/1 6 x 0,28 PES
Color	Standard: Galvanized steel plate Other RAL colors sprayed,		Standard: Galvanized steel plate Other RAL colors sprayed,	According to current ISOTRA a. s. scheme	grey	Standard: anodized Other RAL colors sprayed	grey black	grey black

We do not make atypical designs.

Standard dimensions

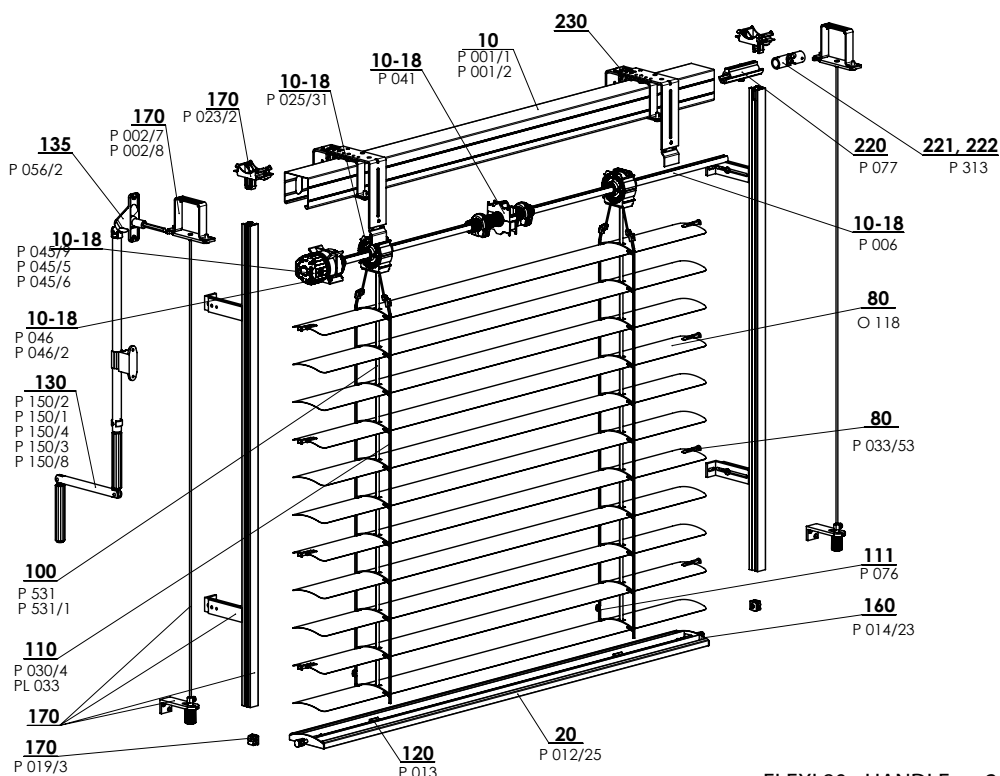
Width (mm)		Height (mm)		Guaranteed area m ²
min.	max.	min.	max.	max.
600	4000	500	4000	8 (handle) 16 (motor)

Cetta 60 Flexi - handle, motor (2-01439-XXXX-0, 2-01440-XXXX-0)

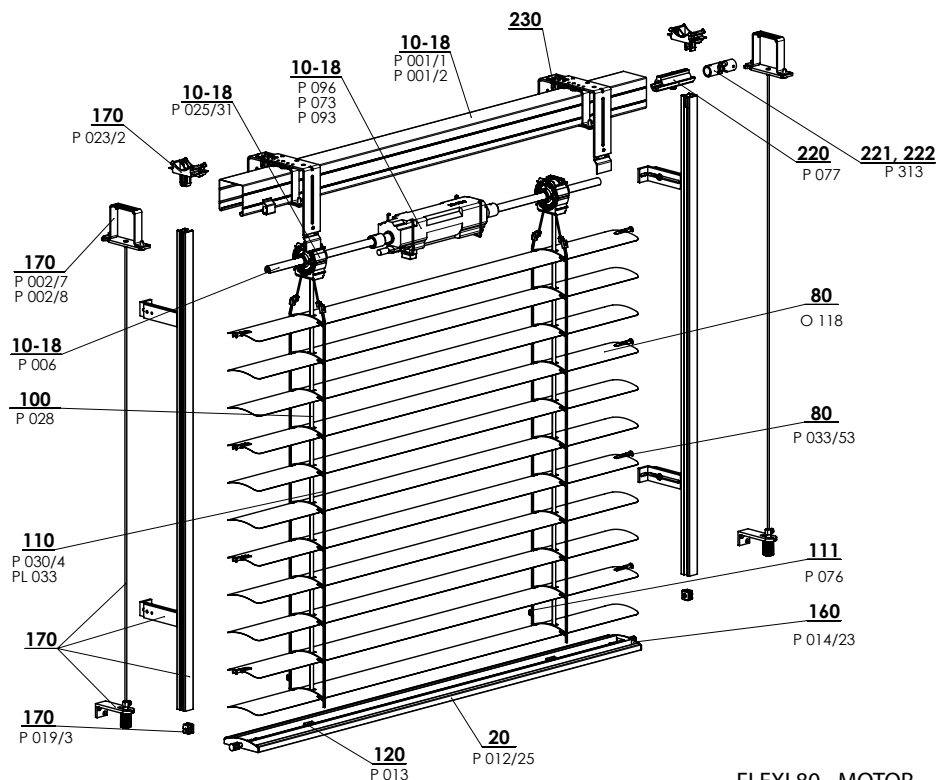
Position	Item name	Business name - Abbreviation 2	Order number - Abbreviation 1
10-18	Head rail 56x58 Fe	P 001/1	3-00166-PU22
10-18	Head rail 58x60 Al	P 001/2	7-301180-0000
10-18	End stop 56x58	P 041	2-00048-9004
10-18	Gearing	P 045/9	6-010260-0000
10-18	Gearing plastic 6 mm hexagonal 14 mm exit, 46 mm	P 045/6	6-013233-0000
10-18	Gearing plastic 8 mm hexagonal 14 mm exit, 46 mm	P 045/5	6-013232-0000
10-18	Gearing holder 111 510 Stoma, inbus	P 046/42	6-014239-0000
10-18	Bearing C65, C80, Z70, S65	P 025/31	2-01098-9004
10-18	Bearing Stoma AX, tilting 38 st.	P 025/50	6-009832-0000
10-18	Shaft	P 006	7-300198-0000
10-18	Motors (ELERO) EX. BLINDS	P 096	2-00648-0000
10-18	Motors (SOMFY) EX. BLINDS	P 073	2-00512-0000
10-18	Motors (GEIGER) EX. BLINDS	P 093	2-00572-0000
20	Bottom rail profile C60F	P 012/26	7-303193-XXXX
80	Slat Al 0,40x60	O 105	6-015422-XXXX
80	End guidance for slat "F" L+R	P 033/43	3-03969-xxxx
80	End guidance for slat "F" L+R metal	P 033/53	3-03966-PU19
100	Textile band 6x0,28 mm	P 531	6-001284-XXXX
100	Textile band 6x0,28 mm - black	P 531/1	6-012700-XXXX
100	Textile band 8x0,34 mm grey/black	P 028	6-001157-XXXX
110	Ladder C60F 52x65	P 030/5	6-015600-XXXX
110	Ladder shortening comb	PL 033	6-006197-0000
111	River sleeve	P 076	3-02367-0000
120	Textile band holder	P 013	2-00039-0000
130	Complete handle square (45°/90°)	P 150/2	2-00299-0000
130	Complete handle hexagonal (45°/90°)	P 150/1	2-00298-0000
130	Complete handle removable square 90°	P 150/4	2-00581-0000
130	Complete handle with cardan square 90°	P 150/3	2-00300-0000
130	Complete handle without bushing	P 150/8	2-01302-0000
135	Bushing 90° white SQ 8x250 (23x85 mm)	P 056/2	6-006684-XXXX
160	End caps lock C60F left+right	P 014/6	2-01434-XXXX
170	Guidance - wire/guiding channel + holders		see Guidance
170	Head rail holder - Fe profile Windstabil	P 002/7	2-01128-0000
170	Head rail holder - Al profile Windstabil	P 002/8	2-01294-0000
170	Locking holder of guide rail	P 023/1	3-02758-9004
170	Set Holder-wire	P 023/2	2-01516-9004
170	Guide rail stop - set	P 019/3	2-01097-9004
220	Rod connector	P 077	6-001198-0000
221	Rod connector - articulated C65/80 and Z70/90	P 313	6-003075-0000
222	Gearing corner, D-46mm	P 517/46	6-017225-0000

Cetta 80 Flexi

Basic Product Specification



FLEXI 80 - HANDLE 2-00135-XXXX-E



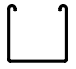
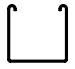


FLEXI 80 - MOTOR 2-00138-XXXX-D

Standard Dimensions

Width (mm)		Height (mm)		Guaranteed area (m ²)
min.	max.	min.	max.	max.
600	4000*	500	4000	8 (handle) 16 (motor)

* Note: The wider the blind, the lower its wind resistance class - see "Wind resistance of exterior blinds", page 3-6.

Specification Cetta 80 Flexi

	Head Rail		Bottom Rail	Slat	Side Guidance		Ladder	Textile band
	P 001/1 56 x 58 Fe	P 001/2 56 x 58 Al	P012/25 80 x 13 Al	O 118 0,40 x 80 Al	Steel Wire	Guiding Channel		
Commercial Name Dimension (mm) Material					P 036/1 ø 3,2 Fe/PVC	Variants of guiding channels in Chapter "Guides"	P 030 72 x 85 PES	P 531, P 531/1 6x0,28 PES
Colour	Standard: galvanized sheet Other RAL sprayed DECORAL*		Standard: satin anodized sheet Other RAL sprayed DECORAL*	According to the actual sampler from ISOTRA a. s.	grey black	Standard: satin anodized sheet Other RAL sprayed	grey black	grey

*Maximum dimension 4000mm.

Cetta 80 Flexi - handle (2-00135-XXXX)

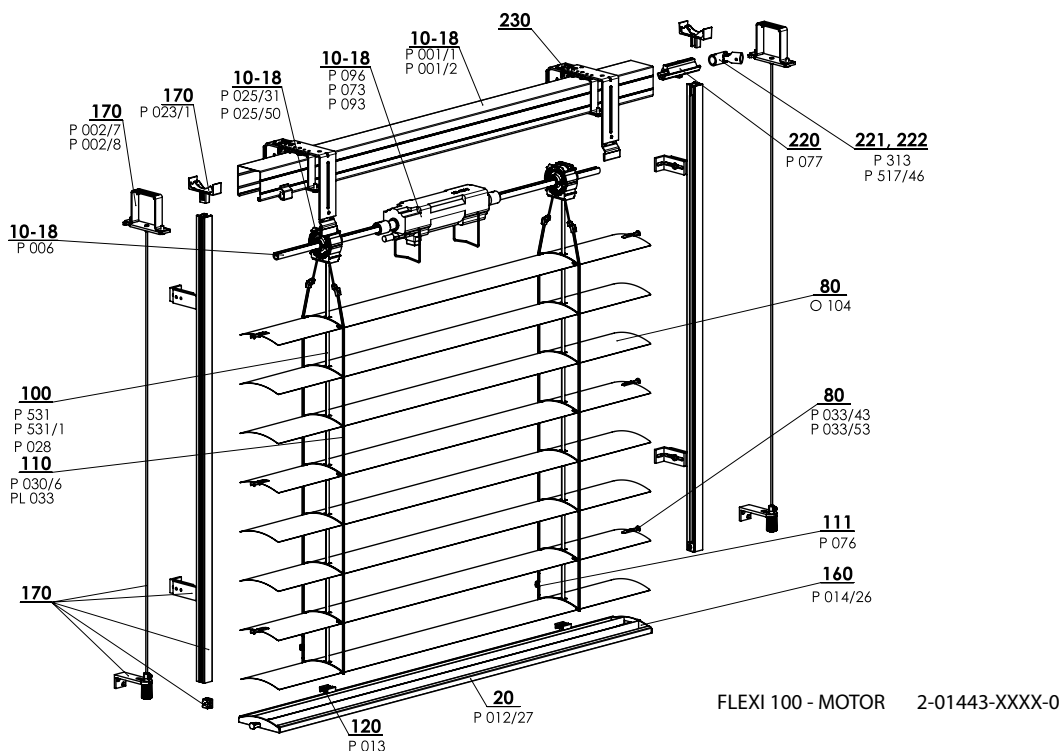
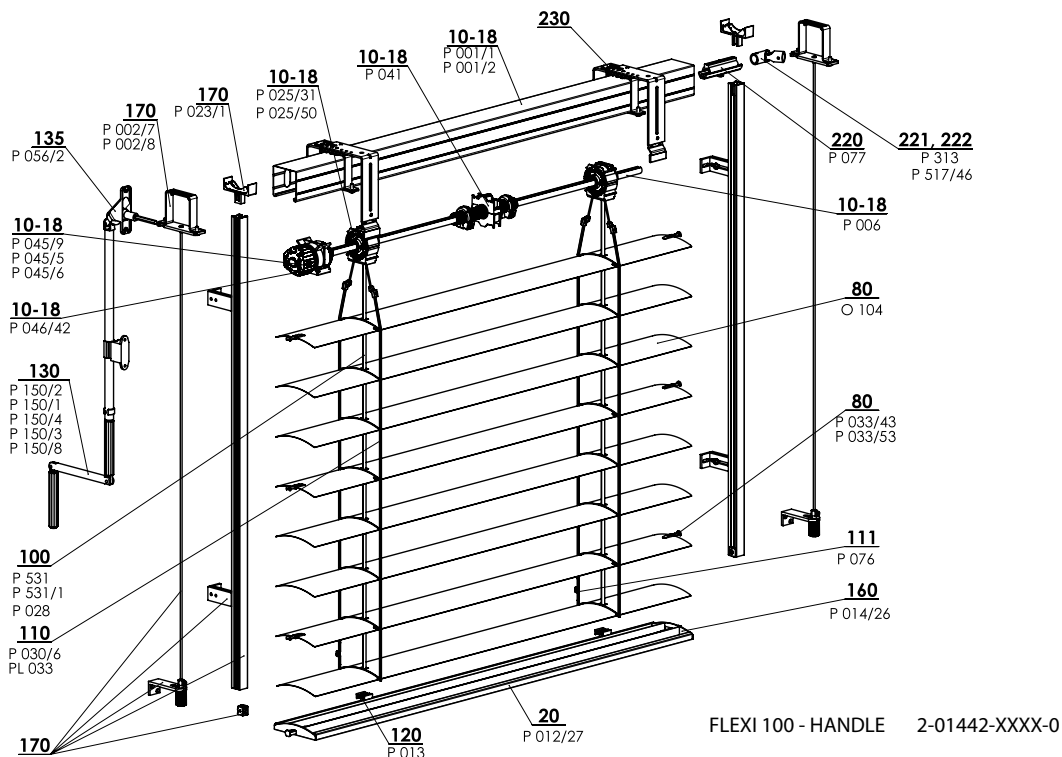
Position	Item name	Business name - Abbreviation 2	Order number - Abbreviation 1
10-18	Head rail 56x58 Fe	P 001/1	3-00166-PU22
10-18	Head rail 58x60 Al	P 001/2	7-301180-0000
10-18	Bearing C80 / C65 / S65 / Z70	P 025/31	2-01098-9004
10-18	Bearing Stoma AX, tilting 38 st.	P 025/50	6-009832-0000
10-18	End stop 56x58	P 041	2-00048-9004
10-18	Gearing	P 045/9	6-010260-0000
10-18	Gearing plastic 6 mm hexagonal 14 mm exit, 46 mm	P 045/6	6-013233-0000
10-18	Gearing plastic 8 mm hexagonal 14 mm exit, 46 mm	P 045/5	6-013232-0000
10-18	Gearing holder 111 510 Stoma, inbus	P046/42	6-014239-0000
10-18	Shaft	P 006	7-300198-0000
20	Bottom rail profile C80 Flexi	P 012/25	7-302886-XXXX
80	Slat C80 Flexi Al 0,40x80	O 118	6-001098-XXXX
100	Textile band 6x0,28 mm	P 531	6-001284-9006
100	Textile band 6x0,28 mm black	P 531/1	6-012700-9004
100	Textile band 8x0,34 mm grey/black	P 028	6-001157-XXXX
110	Ladder C80F 69x85 grey/black	P 030/4	6-012862-XXXX
110	River sleeve	PL 033	6-006197-0000
111	Ladder shortening comb	P 076	3-02367-0000
130	Complete handle square (45°/90°)	P 150/2	2-00299-0000
130	Complete handle hexagonal (45°/90°)	P 150/1	2-00298-0000
130	Complete handle removable square 90°	P 150/4	2-00581-0000
130	Complete handle with cardan square 90°	P 150/3	2-00300-0000
130	Complete handle without bushing	P 150/8	2-01302-0000
135	Bushing 90° white SQ 8x250 (23x85 mm)	P 056/2	6-006684-XXXX
160	End caps lock C80F left+right	P 014/23	2-01326-XXXX
170	Guidance - wire/guiding channel + holder (56x58) left		2-00557-L001
170	Guidance - wire/guiding channel + holder (56x58) right		2-00557-P001
170	Head rail holder - Fe profile Windstabil	P 002/7	2-01128-0000
170	Head rail holder - Al profile Windstabil	P 002/8	2-01294-0000
170	Locking holder of guide rail	P 023/1	3-02758-9004
170	Set Holder-wire	P 023/2	2-01516-9004
170	Guide rail stop - set	P 019/3	2-01097-9004
210-212	End guidance for slat "F" L+R metal	P 033/53	3-03966-PU19
220	Rod connector	P 077	6-001198-0000
221	Rod connector - articulated C65/80 and Z70/90	P 313	6-003075-0000
222	Gearing corner, D-46mm	P 517/46	6-017225-0000
230	Blind holders		2-00649-0000

Cetta 80 Flexi - motor (2-00138-XXXX)

Position	Item name	Business name - Abbreviation 2	Order number - Abbreviation 1
10-18	Head rail 56x58 Fe	P 001/1	3-00166-PU22
10-18	Head rail 58x60 Al	P 001/2	7-301180-0000
10-18	Motors (ELERO) EX. BLINDS	P 096	2-00648-0000
10-18	Motors (SOMFY) EX. BLINDS	P 073	2-00512-0000
10-18	Motors (GEIGER) EX. BLINDS	P 093	2-00572-0000
10-18	Shaft	P 006	7-300198-0000
10-18	Bearing C80 / C65 / S65 / Z70	P 025/31	2-01098-9004
10-18	Bearing Stoma AX, tilting 38 st.	P 025/50	6-009832-0000
20	Bottom rail C80 Flexi	P 012/25	7-302886-XXXX
80	Slat C80 Flexi Al 0,40x80	O 118	6-001098-XXXX
100	Textile band 6x0,28 mm	P 531	6-001284-XXXX
100	Textile band 6x0,28 mm - black	P 531/1	6-012700-XXXX
100	Textile band 8x0,34 mm grey/black	P 028	6-001157-XXXX
110	Ladder C80F 69x85 grey/black	P 030/4	6-012862-XXXX
110	River sleeve	PL 033	6-006197-0000
111	Ladder shortening comb	P 076	3-02367-0000
120	Texband holder	P 013	2-00039-0000
160	End caps lock C80F left+right	P 014/23	2-01326-XXXX
170	Guidance - wire/guiding channel + holders (56x58) left		2-00557-L001
170	Guidance - wire/guiding channel + holders (56x58) left		2-00557-P001
170	Head rail holder - Fe profile Windstabil	P 002/7	2-01128-0000
170	Head rail holder - Al profile Windstabil	P 002/8	2-01294-0000
170	Locking holder of guide rail	P 023/1	3-02758-9004
170	Set Holder-wire	P 023/2	2-01516-9004
170	Guide rail stop - set	P 019/3	2-01097-9004
210-212	End guidance for slat "F" L+R	P 033/43	3-03969-xxxx
210-212	End guidance for slat "F" L+R metal	P 033/53	3-03966-PU19
220	Rod connector	P 077	6-001198-0000
221	Rod connector - articulated C65/80 and Z70/90	P 313	6-003075-0000
222	Gearing corner, D-46mm	P 517/46	6-017225-0000
230	Blind holders		2-00649-0000

Cetta 100 Flexi

Basic product specification

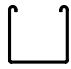
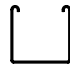

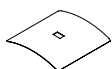


Standard dimensions

Width (mm)		Height (mm)		Guaranteed area (m ²)
min.	max.	min.	max.	max.
600	4000*	500	4000	8 (handle) 16 (motor)

* Note: The wider the blind, the lower its wind resistance class - see "Wind resistance of exterior blinds", page 3-6.

Specification Cetta 100 Flexi

	Head Rail		Bottom Rail	Slat	Side Guidance		Ladder	Textile band
					Steel Wire	Guiding Channel		
Commercial Name Dimension (mm) Material	P 001/1 56 x 58 Fe 	P 001/2 58 x 60 Al 	P 012/27 103,5 x 17 Al 	O 104 0,40 x 100 Al 	P 036 Ø 3,2 Fe/PVC	Variants of guiding channels in Chapter "Guides"	P 030/6 85 x 105 PES	P 531, P 531/1 6 x 0,28 PES
Colour	Standard: galvanized sheet Other RAL sprayed		Standard: elox Other RAL sprayed	According to the actual sampler from ISOTRA a. s.	grey	Standard: elox Other RAL sprayed	grey black	grey black

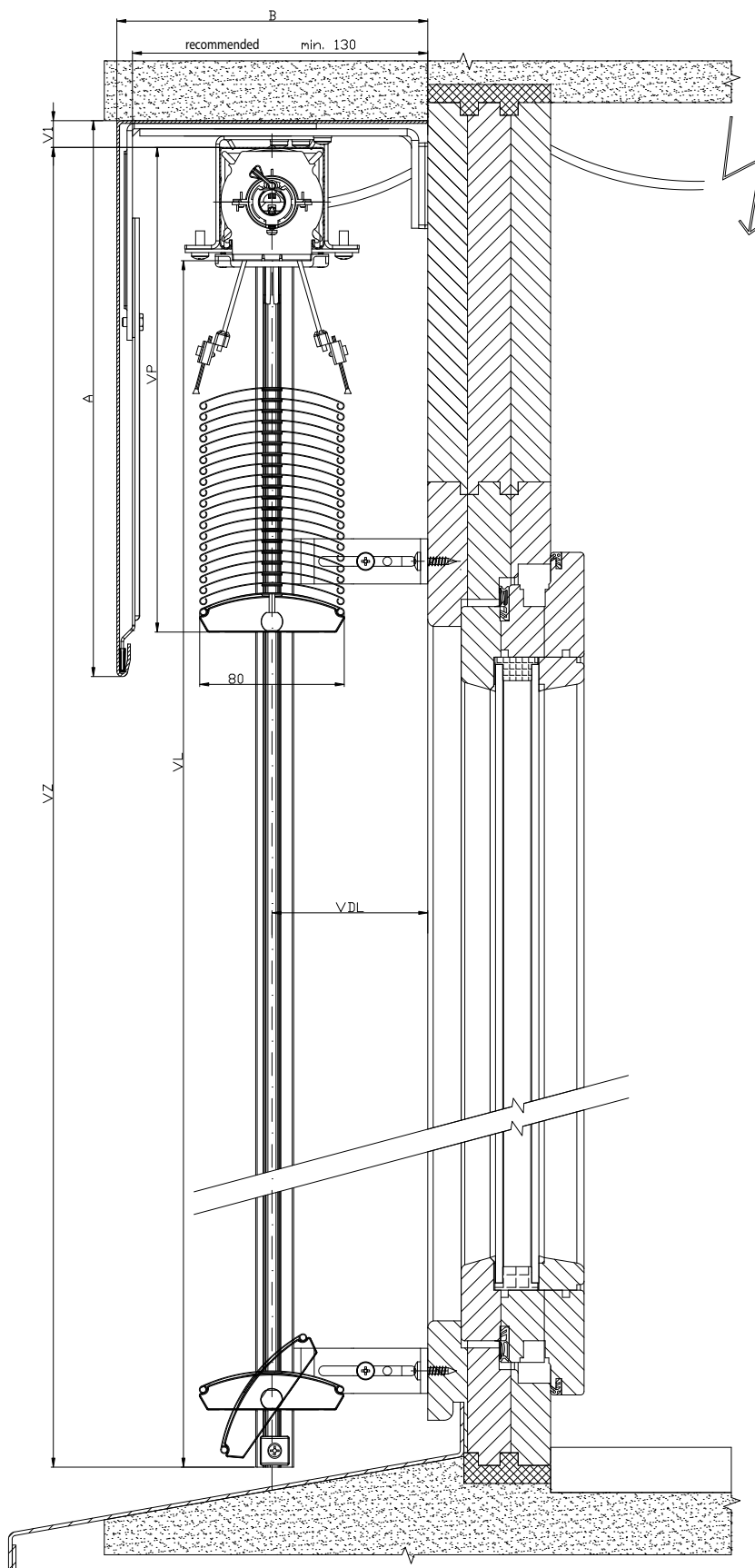
Cetta100 Flexi-handle, motor (2-01442-XXXX-0, 2-01443-XXXX-0)

Position	Item name	Business name - Abbreviation 2	Order number - Abbreviation 1
10 - 18	Head rail	P 001/1	3-00166-PU22
10 - 18	Head rail 58x60 Al	P 001/2	7-301180-0000
10 - 18	End stop 56x58	P 041	2-00048-9004
10 - 18	Gearing	P 045/9	6-010260-0000
10 - 18	Gearing plastic 6 mm hexagonal 14 mm exit, 46 mm	P 045/6	6-013233-0000
10 - 18	Gearing plastic 8 mm hexagonal 14 mm exit, 46 mm	P 045/5	6-013232-0000
10 - 18	Gearing holder 111 510 Stoma, inbus	P 046/42	6-014239-0000
10 - 18	Bearing C80, C65, Z70, S65	P 025/31	2-01098-9004
10 - 18	Bearing Stoma AX, tilting 38 st.	P 025/50	6-009832-0000
10 - 18	Shaft	P 006	7-300198-0000
10 - 18	Motors (ELERO) EX. BLINDS	P 096	2-00648-0000
10 - 18	Motors (SOMFY) EX. BLINDS	P 073	2-00512-0000
10 - 18	Motors (GEIGER) EX. BLINDS	P 093	2-00572-0000
20	Bottom rail profile C100F	P 012/27	7-3031934XXXX
80	Slat Al 0,40x10	O 104	6-015421-XXXX
80	End guidance for slat "F" L+R	P 033/43	3-03969-xxxx
80	End guidance for slat "F" L+R metal	P 033/53	3-03966-PU19
100	Textile band 8x0,34 mm grey/black	P 028	6-001157-XXXX
100	Textile band 6x0,28 mm	P 531	6-001284-XXXX
100	Textile band 6x0,28 mm - black	P 531/1	6-012700-XXXX
110	Ladder C100F 85x105	P 030/6	6-015618-XXXX
110	River sleeve	PL 033	6-006197-0000
111	Ladder shortening comb	P 076	3-02367-0000
120	Textile band holder	P 013	2-00039-0000
130	Complete handle square (45°/90°)	P 150/2	2-00299-0000
130	Complete handle hexagonal (45°/90°)	P 150/1	2-00298-0000
130	Complete handle removable square 90°	P 150/4	2-00581-0000
130	Complete handle with cardan square 90°	P 150/3	2-00300-0000
130	Complete handle without bushing	P 150/8	2-01302-0000
135	Bushing 90° white SQ 8x250 (23x85 mm)	P 056/2	6-006684-XXXX
160	End caps lock C60F left+right	P 014/26	2-01435-XXXX
170	Guidance - wire/guiding channel + holders		see Guidance
170	Head rail holder - Fe profile Windstabil	P 002/7	2-01128-0000
170	Head rail holder - Al profile Windstabil	P 002/8	2-01294-0000
170	Locking holder of guide rail P 023/1	P 023/1	3-02758-9004
220	Rod connector	P 077	6-001198-0000
221	Rod connector - articulated C65/80 and Z70/90	P 313	6-003075-0000
222	Gearing corner, D-46mm	P 517/46	6-017225-0000

CETTA 80 EXTERIOR BLIND DIAGRAM

VERTICAL SECTION

HANDLE CONTROL

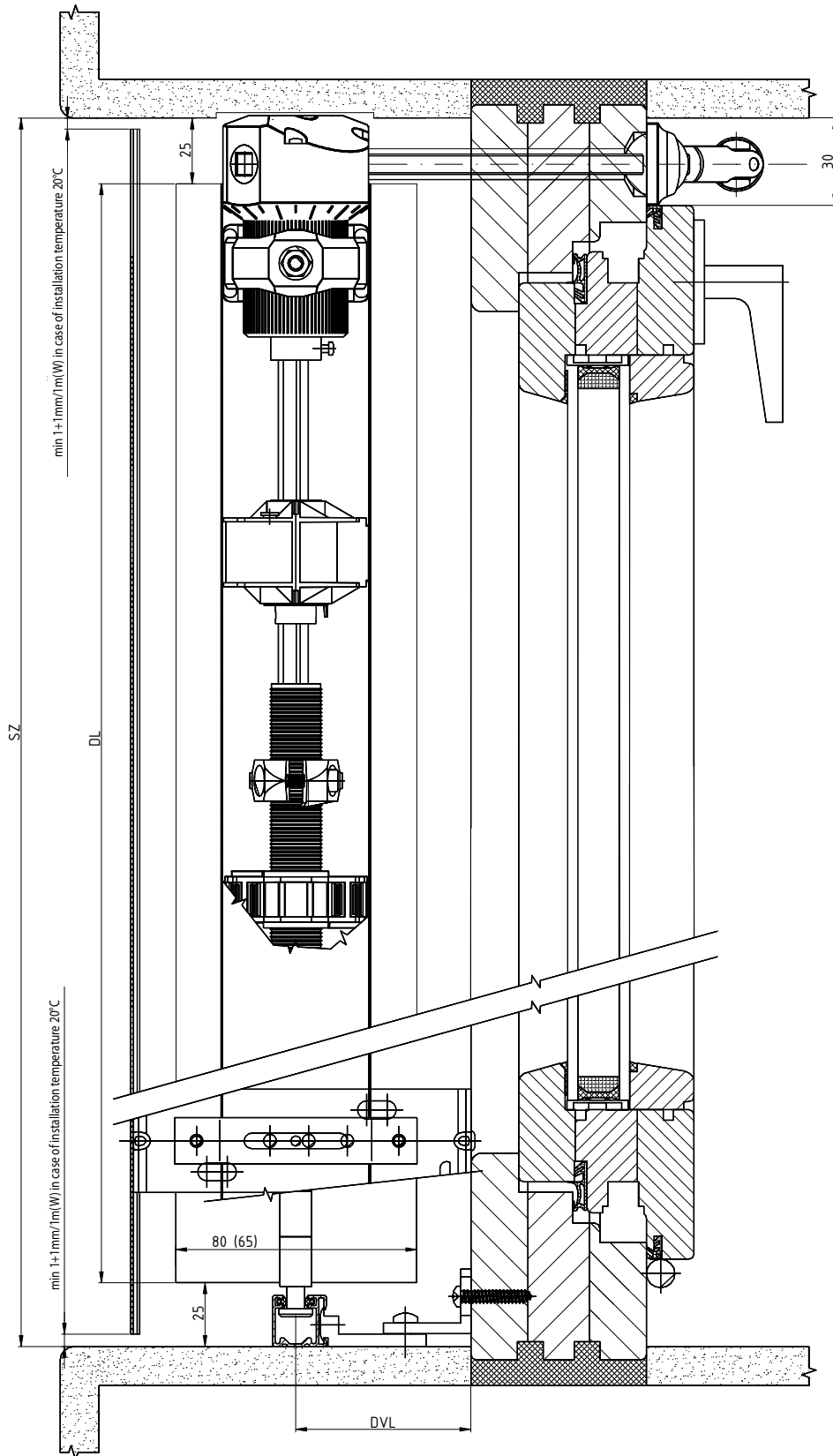


2-01825-0035-0

CETTA 80, CETTA 65 EXTERIOR BLIND DIAGRAM

HORIZONTAL SECTION

HANDLE CONTROL

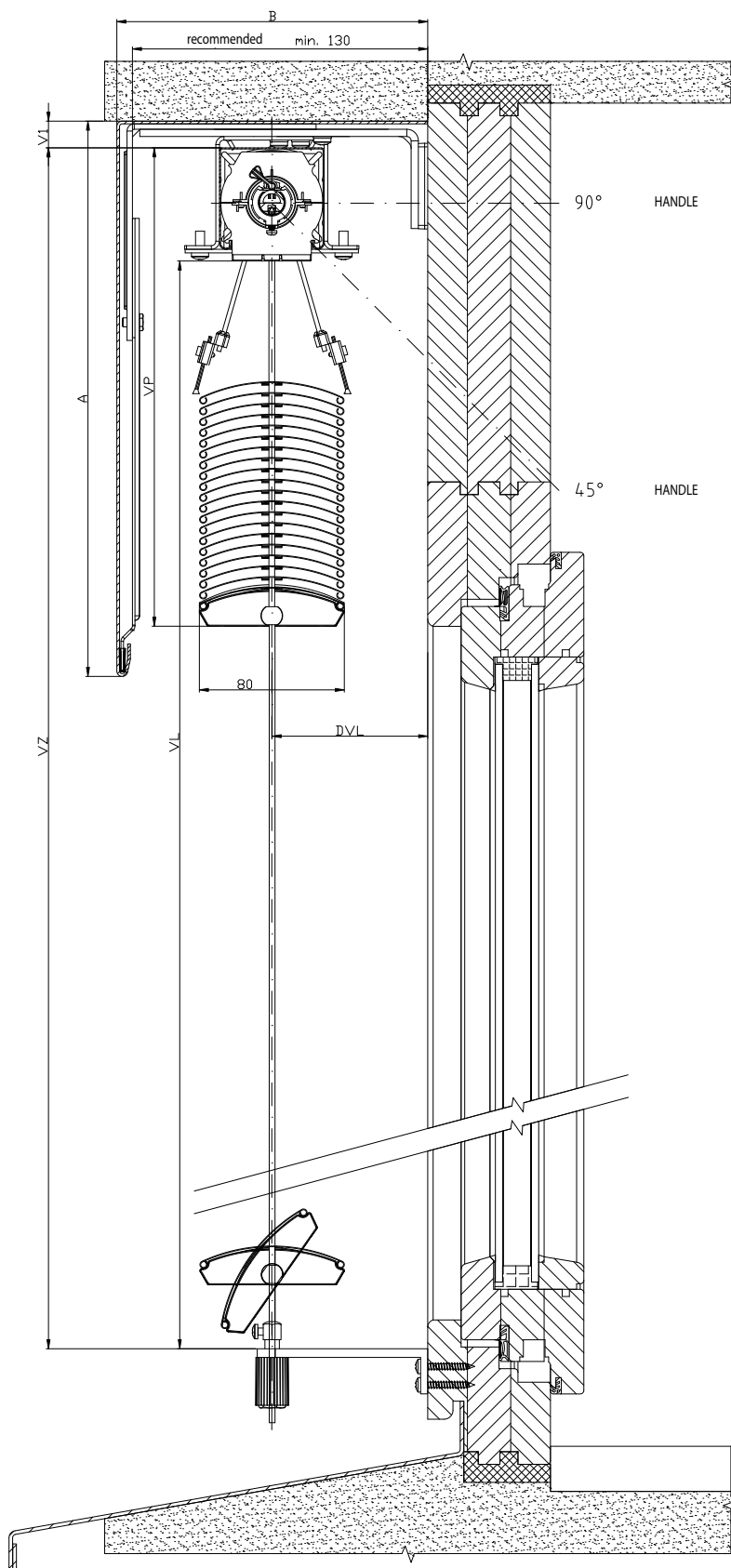


2-01825-0078-0

CETTA 80 EXTERIOR BLIND DIAGRAM

VERTICAL SECTION

HANDLE CONTROL

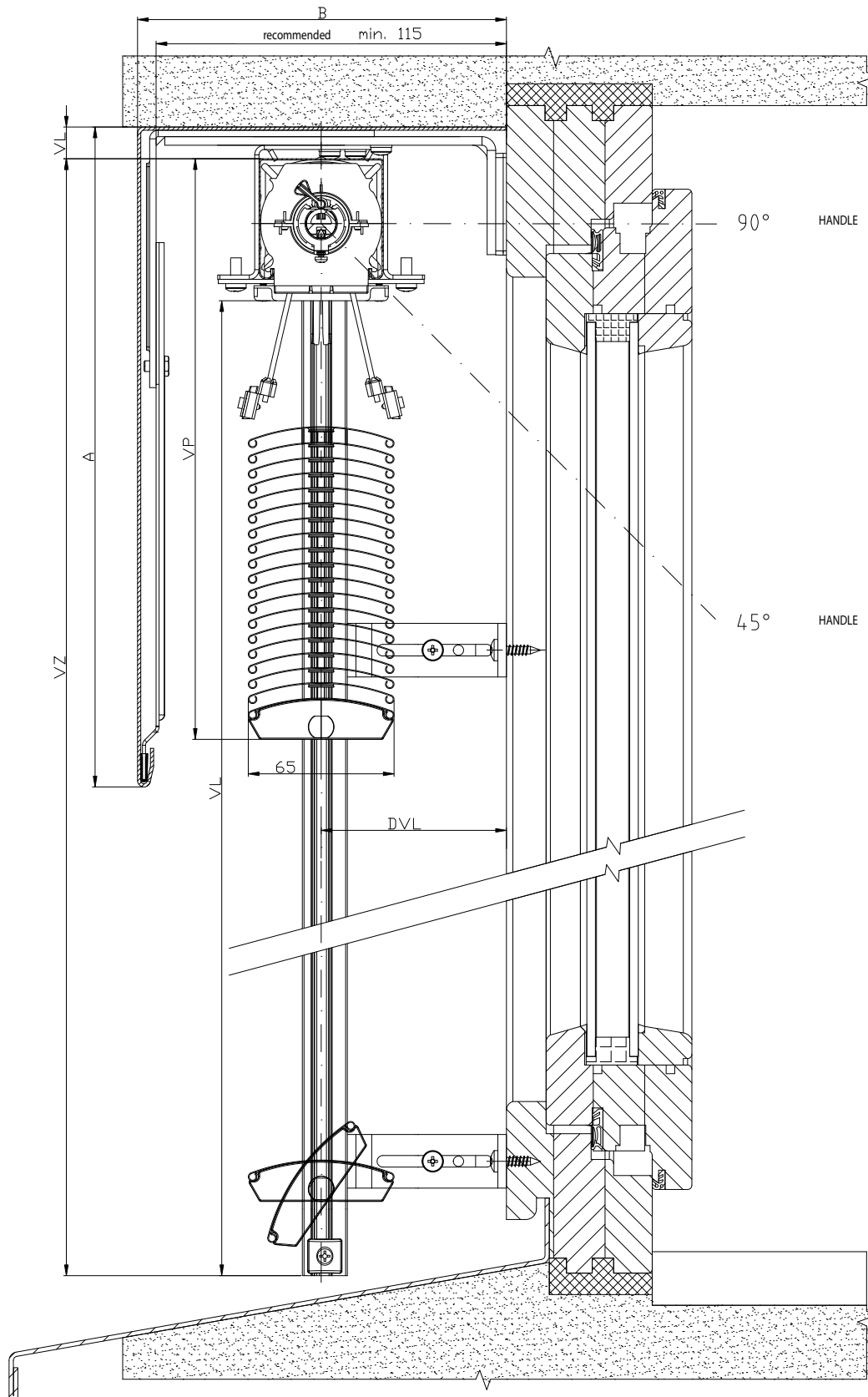


2-01825-0030-0

CETTA 65 EXTERIOR BLIND DIAGRAM

VERICAL SECTION

HANDLE CONTROL

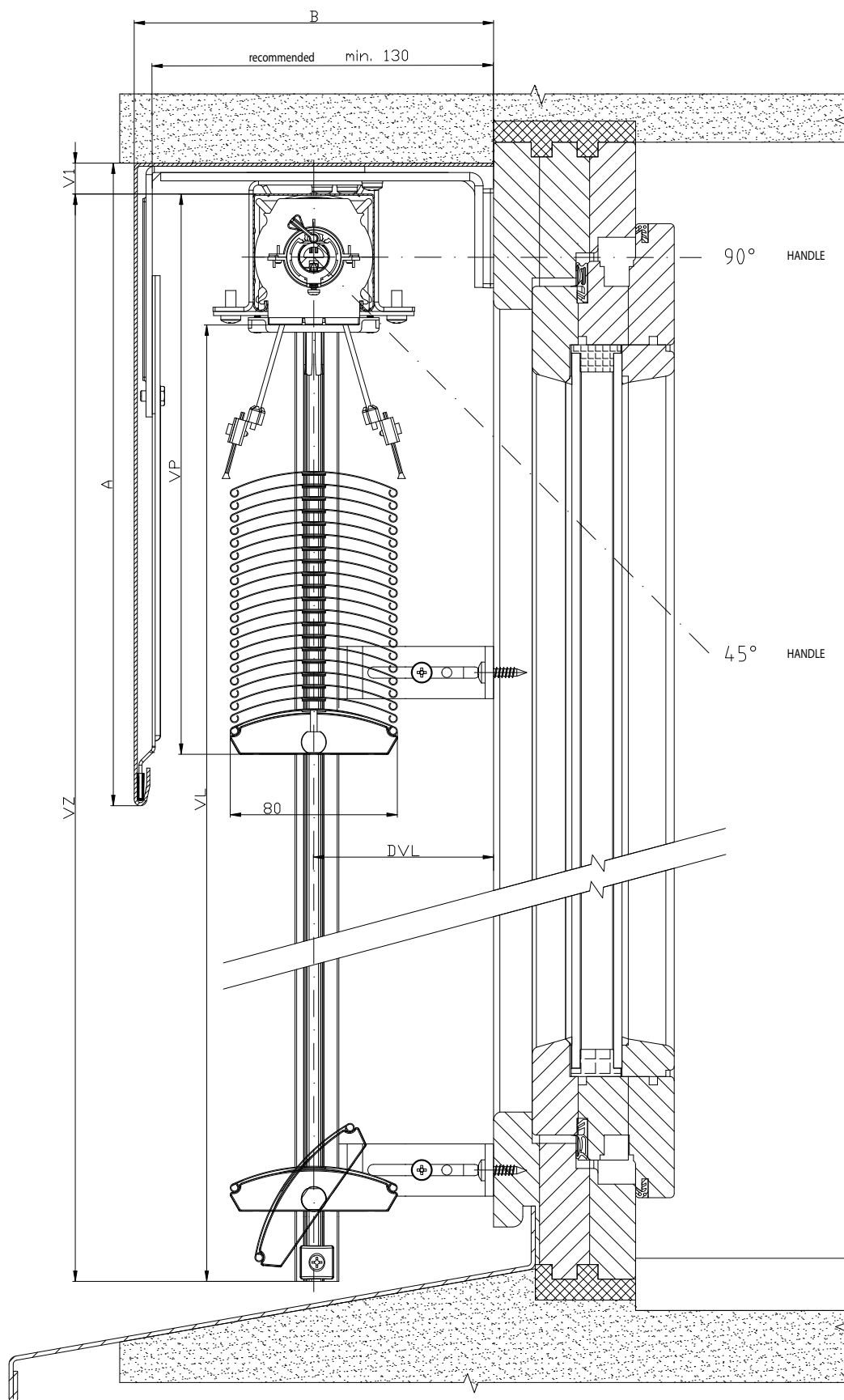


2-01825-0016-0

CETTA 80 EXTERIOR BLIND DIAGRAM

VERICAL SECTION

HANDLE CONTROL



2-01825-0032-0

Slats

Control

Guidance

Blinds Holders

Front Covers

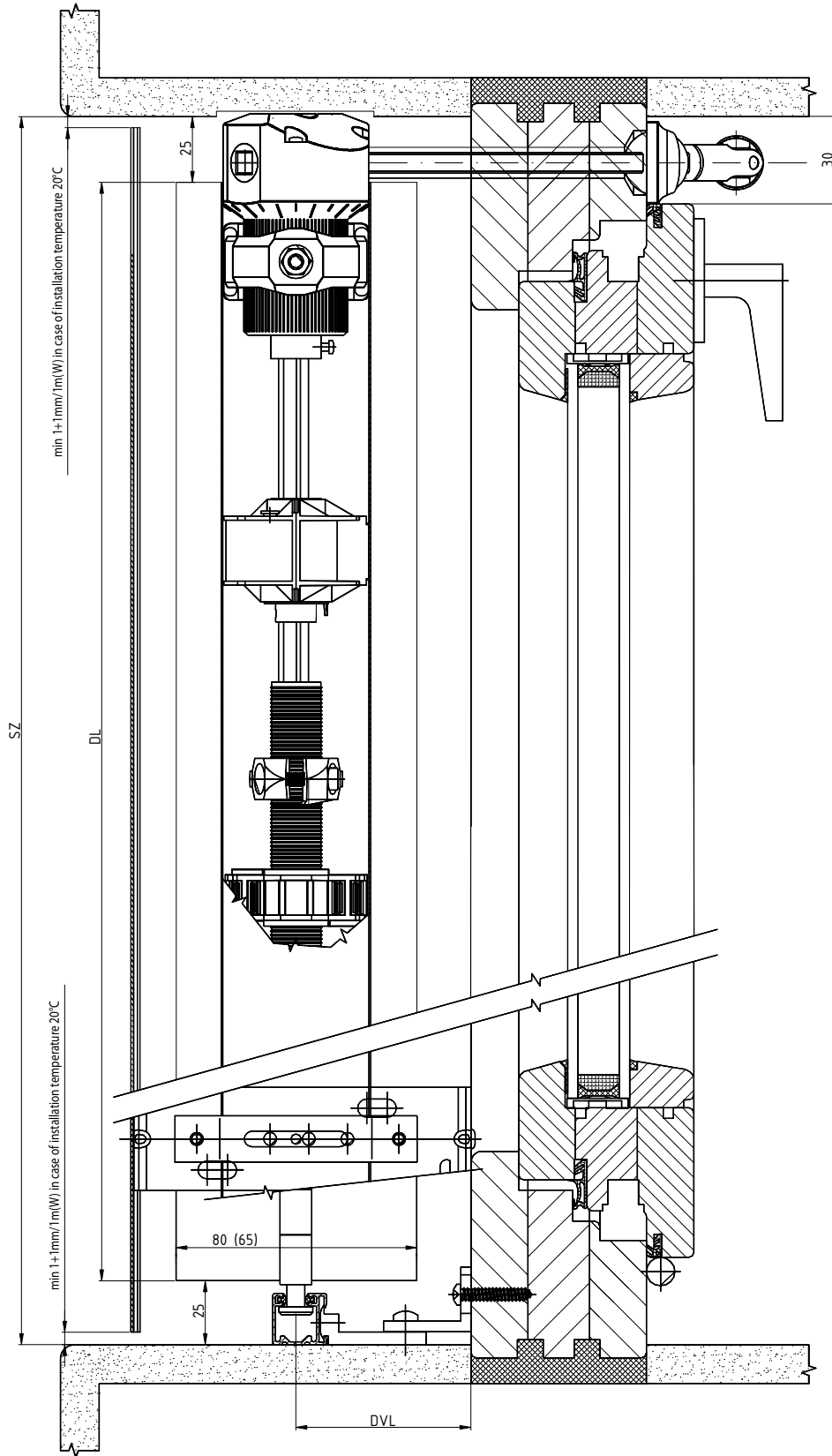
Measurement and Assembly

Alternative Designs

Special Designs

CETTA 80, CETTA 65 EXTERIOR BLIND DIAGRAM

HORIZONTAL SECTION HANDLE CONTROL

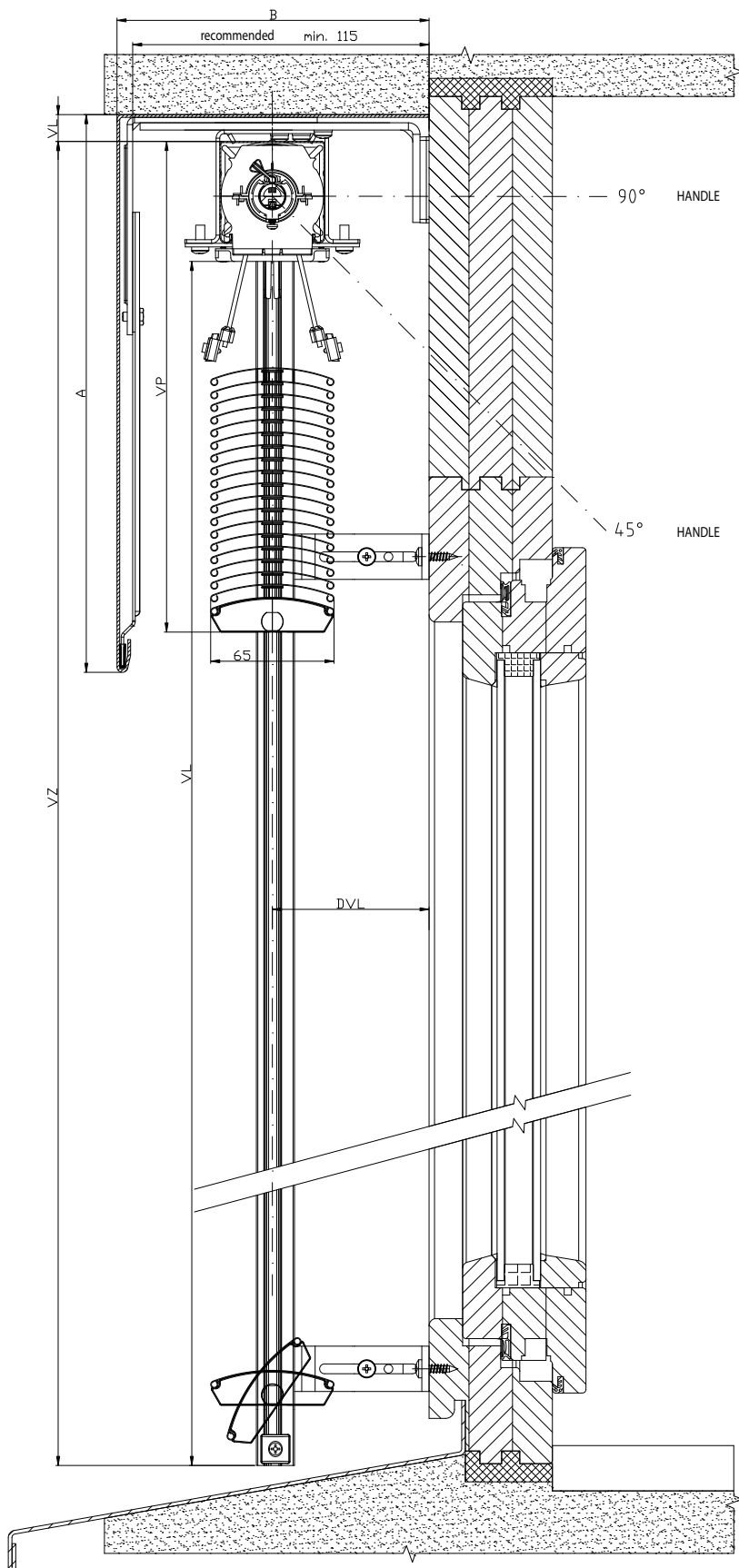


2-01825-0078-0

CETTA 65 EXTERIOR BLIND DIAGRAM

VERICAL SECTION

HANDLE CONTROL



2-01825-0018-0

Slats

Control

Guidance

Blinds Holders

Front Covers

Measurement and Assembly

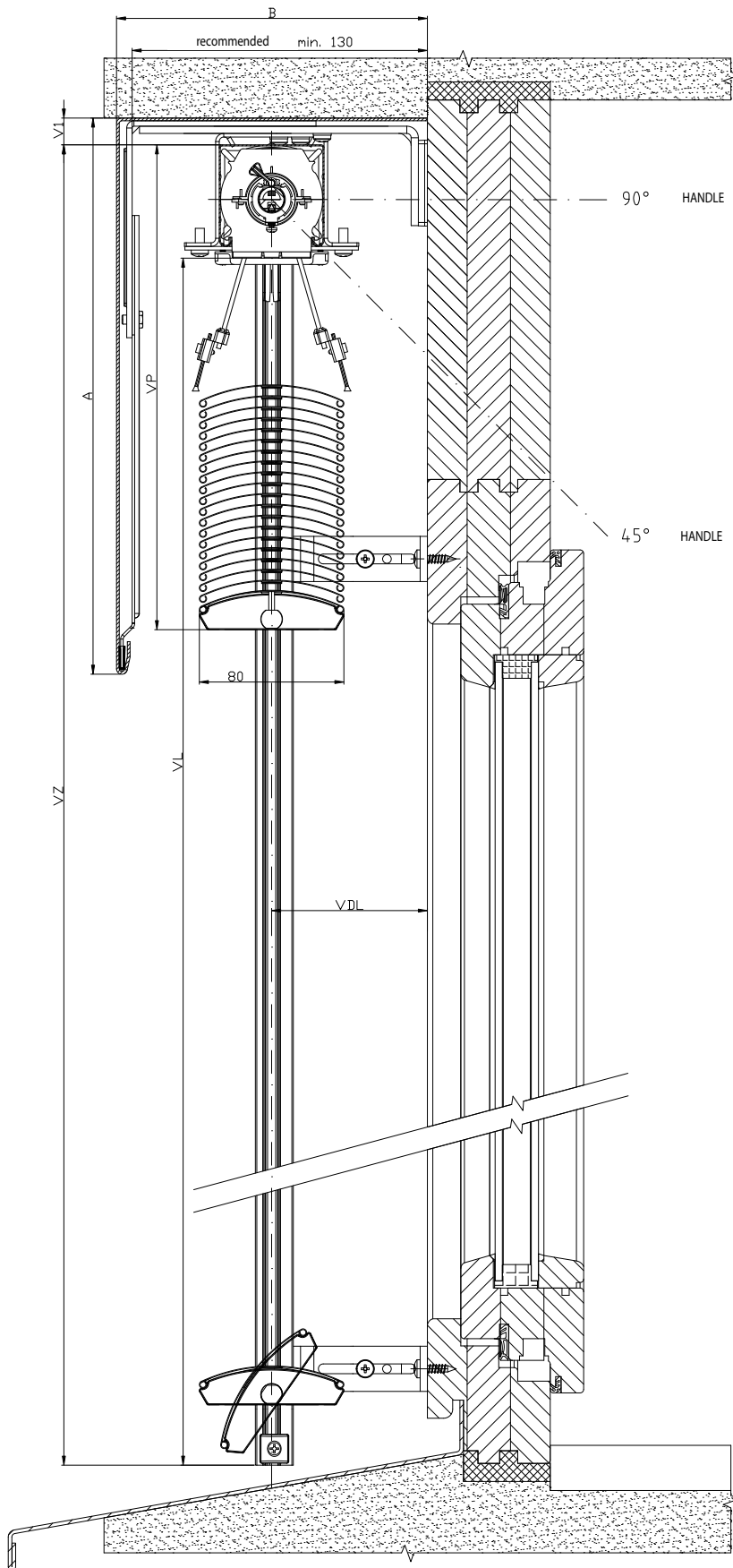
Alternative Designs

Special Designs

CETTA 80 EXTERIOR BLIND DIAGRAM

VERICAL SECTION

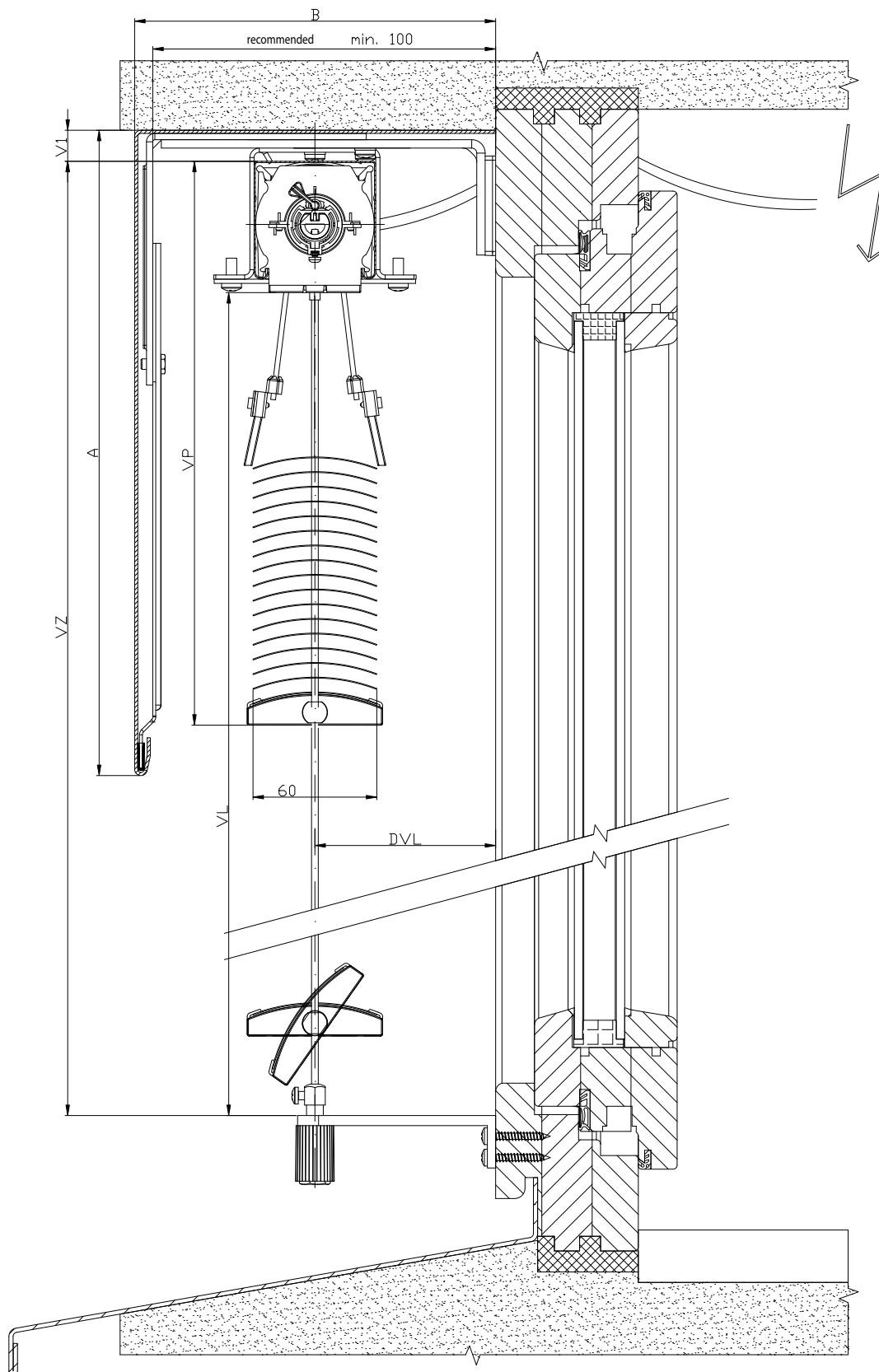
HANDLE CONTROL



2-01825-0034-0

CETTA 60 - FLEXI EXTERIOR BLIND DIAGRAM

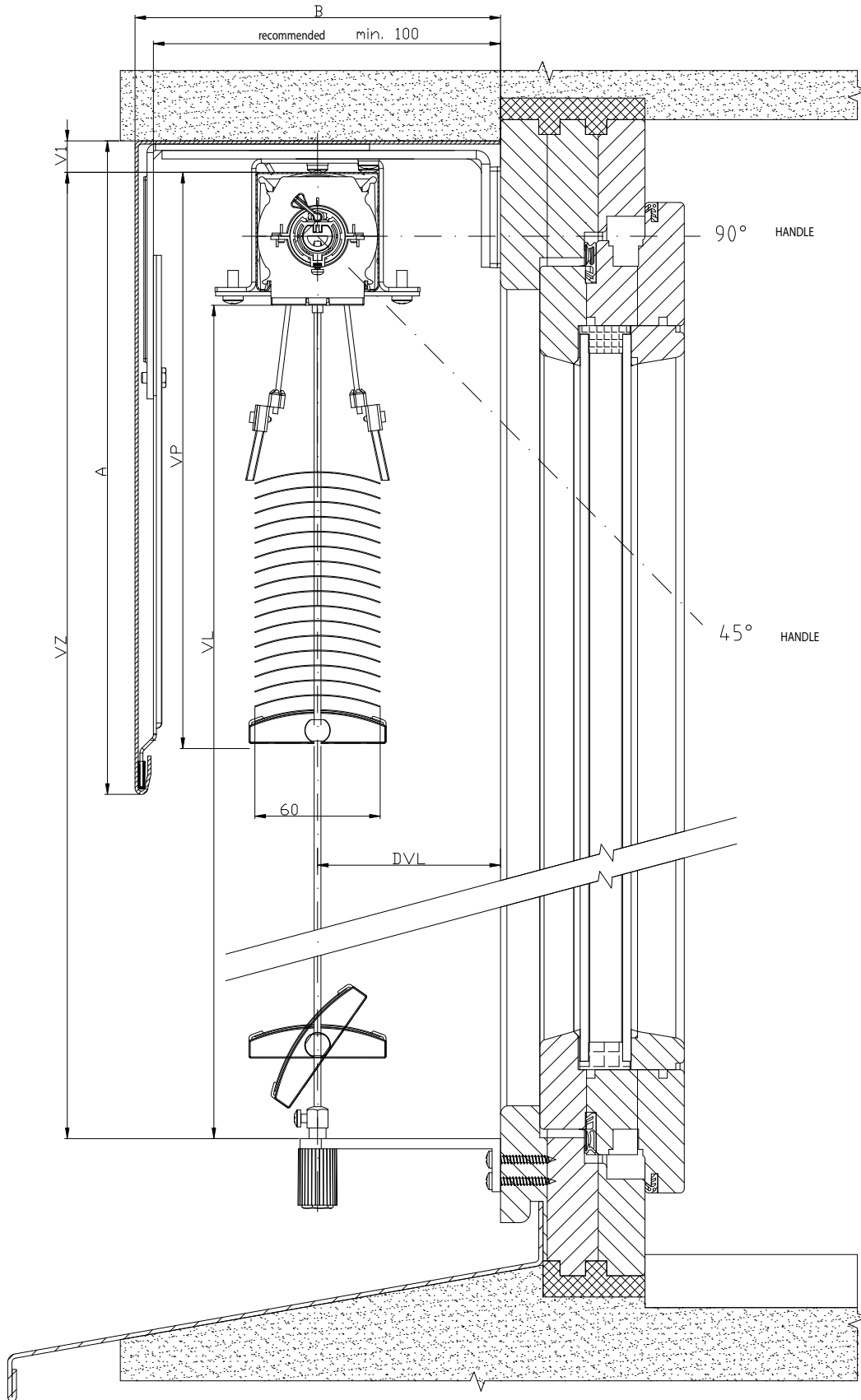
VERTICAL SECTION MOTOR CONTROL



2-01825-0005-0

CETTA 60 - FLEXI EXTERIOR BLIND DIAGRAM

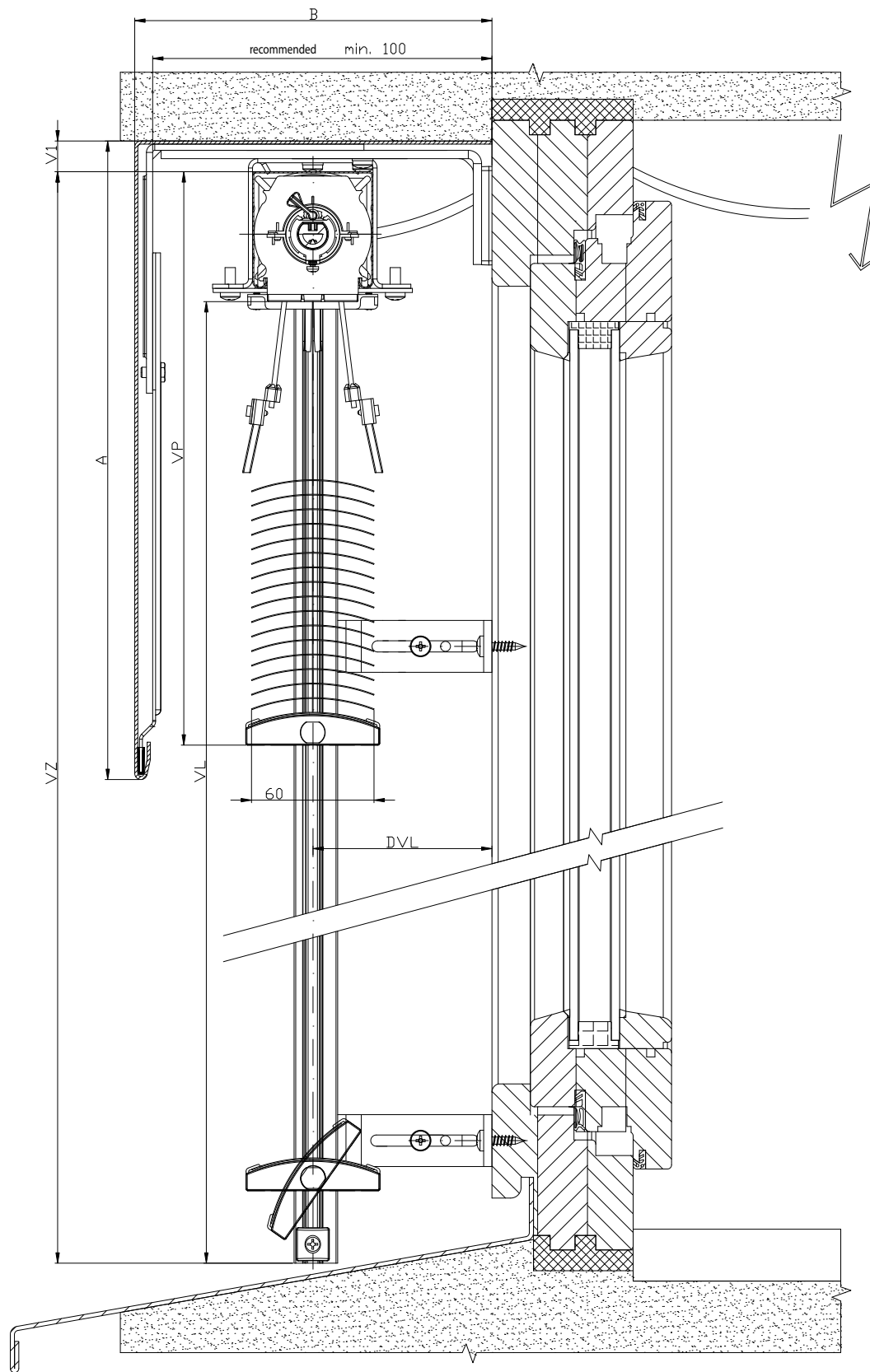
VERTICAL SECTION HANDLE CONTROL



2-01825-0004-0

CETTA 60 - FLEXI EXTERIOR BLIND DIAGRAM

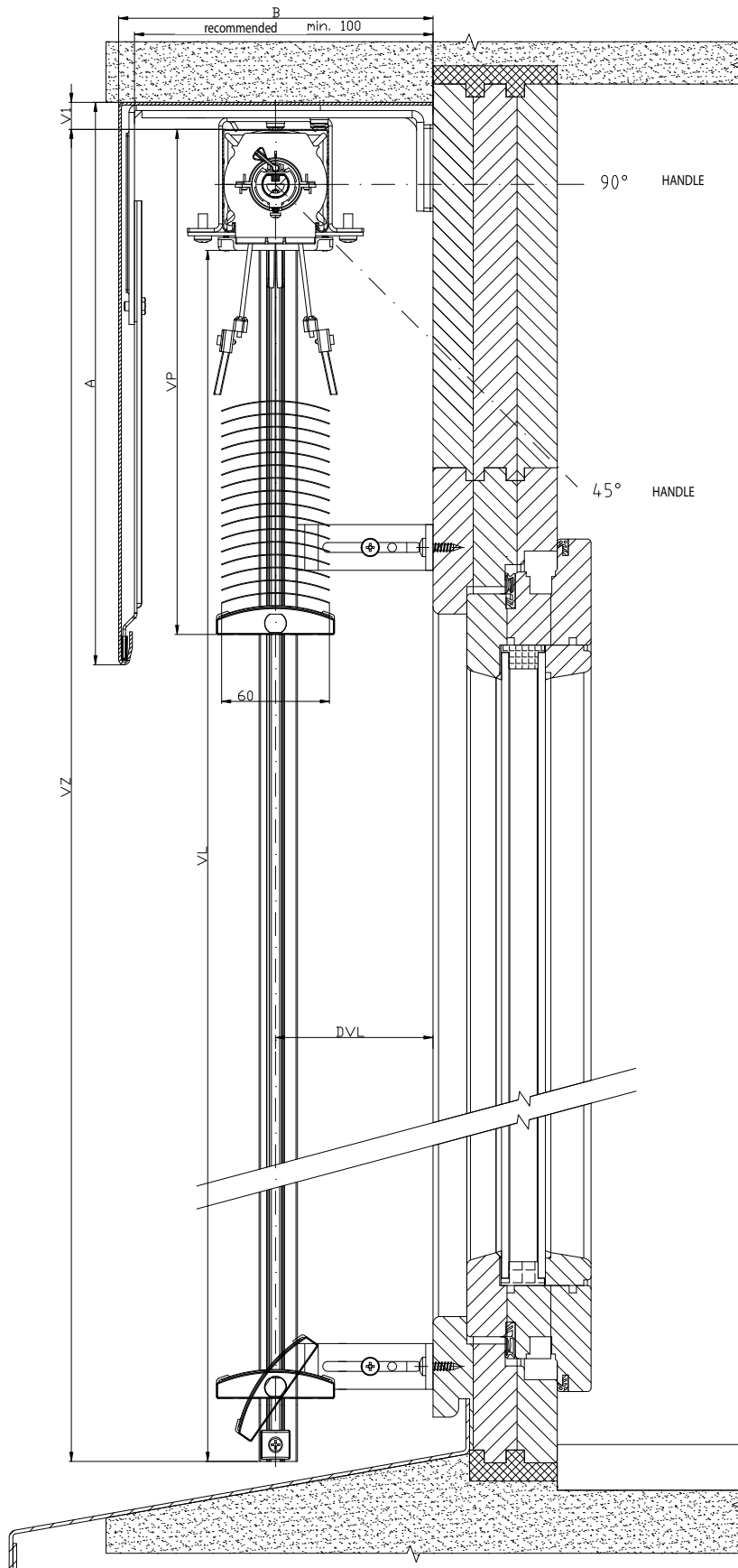
VERTICAL SECTION MOTOR CONTROL



2-01825-0009-0

CETTA 60 - FLEXI EXTERIOR BLIND DIAGRAM

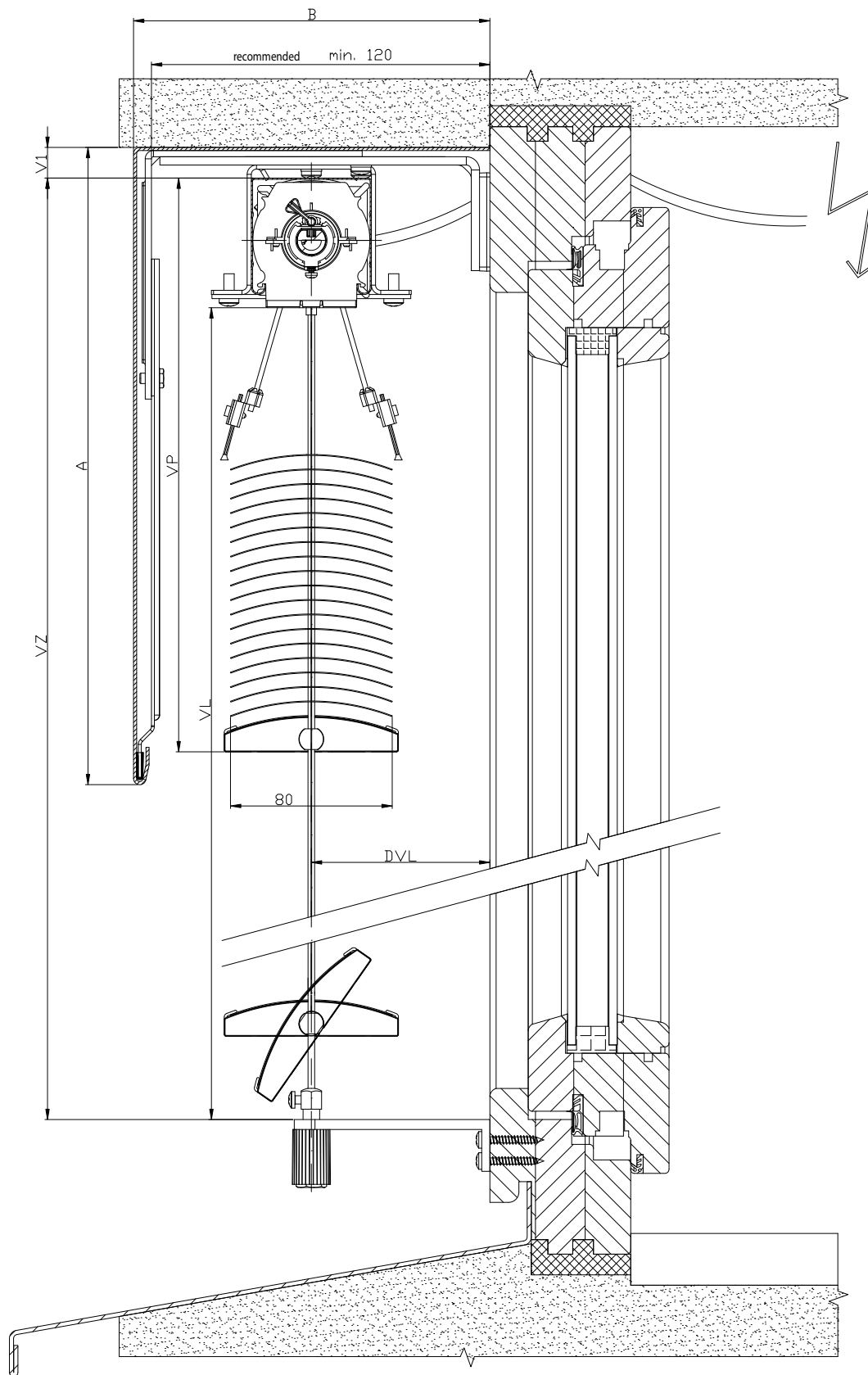
VERTICAL SECTION HANDLE CONTROL



2-01825-0010-0

CETTA 80 - FLEXI EXTERIOR BLIND DIAGRAM

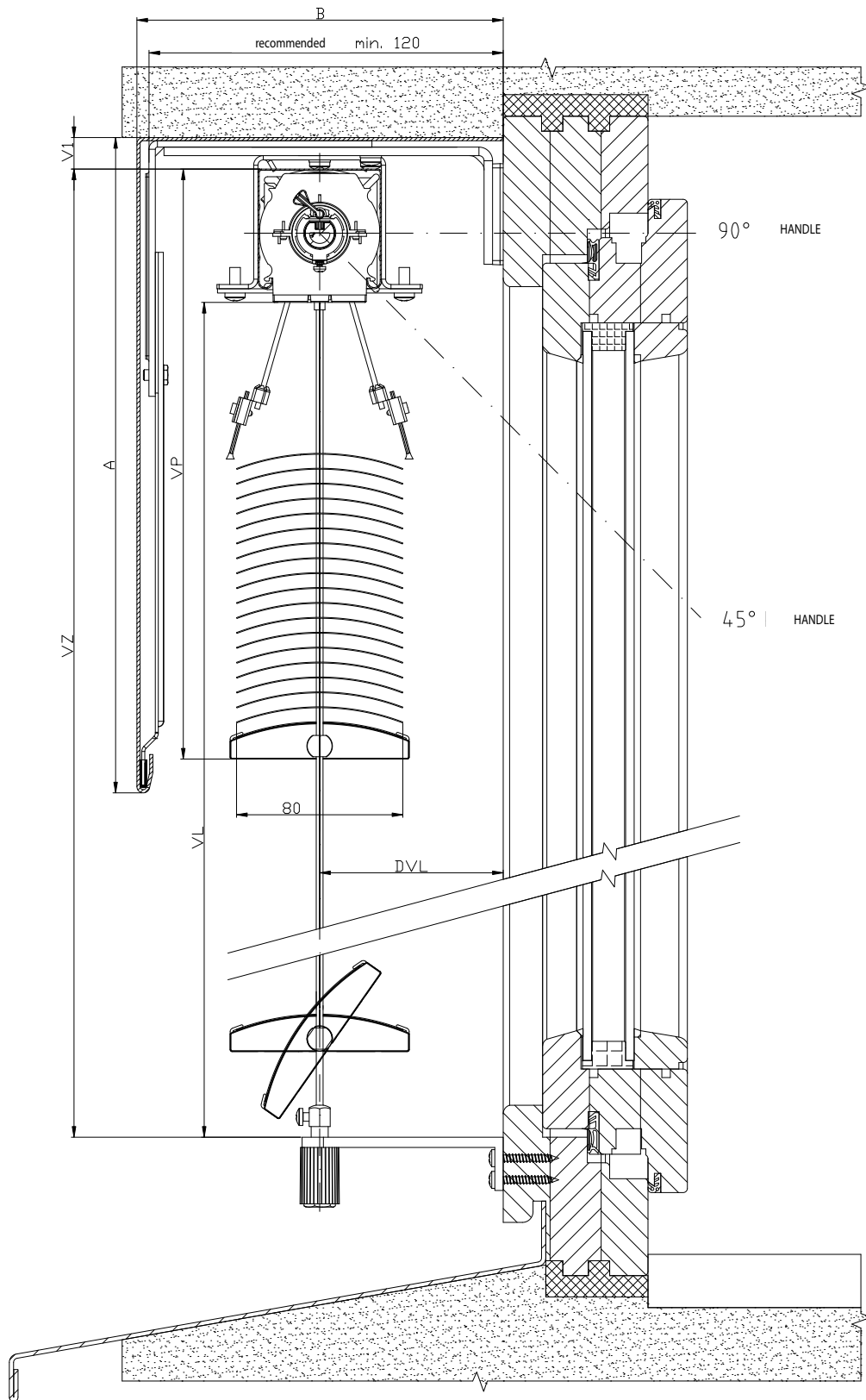
VERTICAL SECTION MOTOR CONTROL



2-01825-0021-0

CETTA 80 - FLEXI EXTERIOR BLIND DIAGRAM

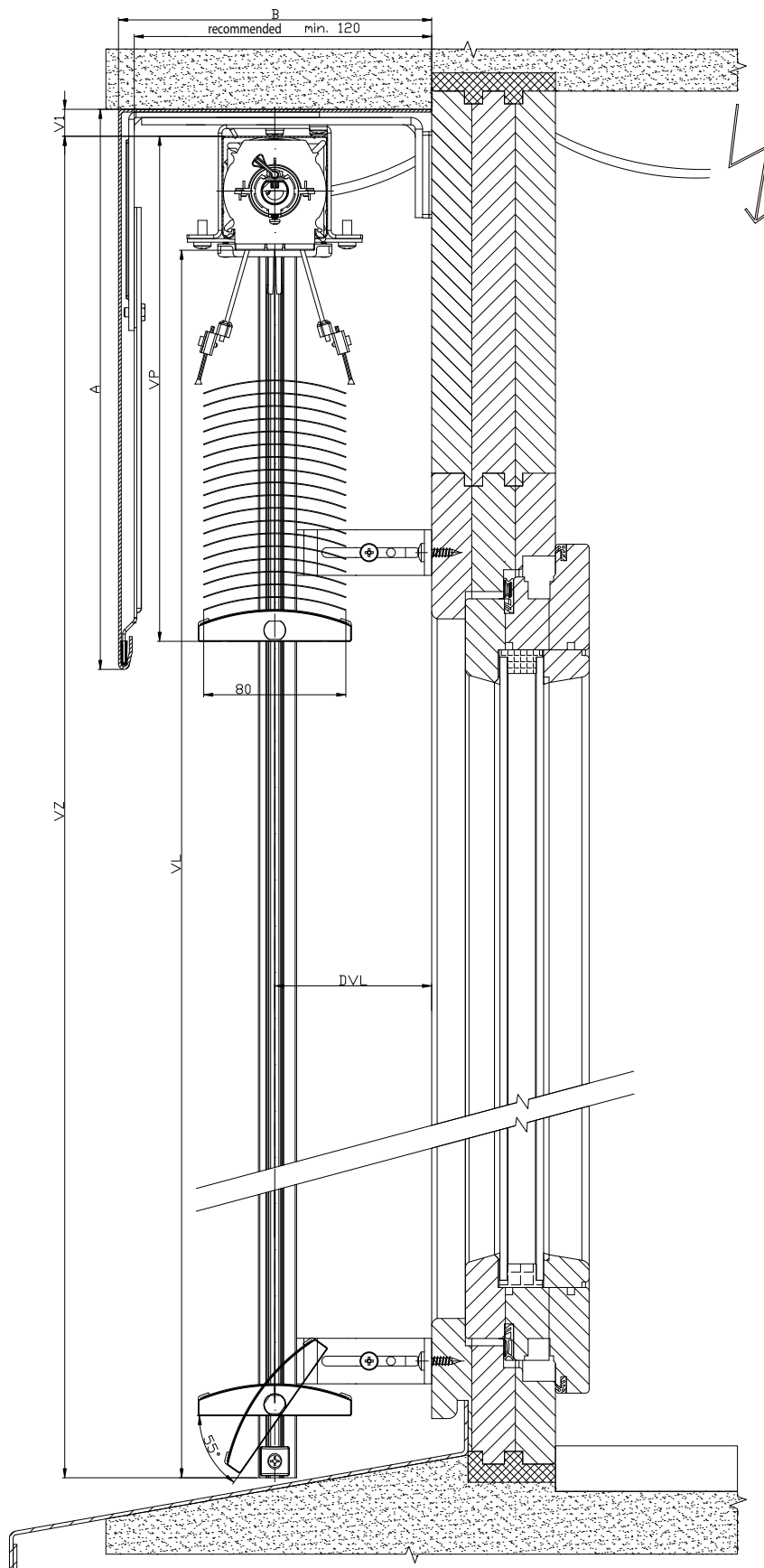
VERTICAL SECTION HANDLE CONTROL



2-01825-0020-0

CETTA 80 - FLEXI EXTERIOR BLIND DIAGRAM

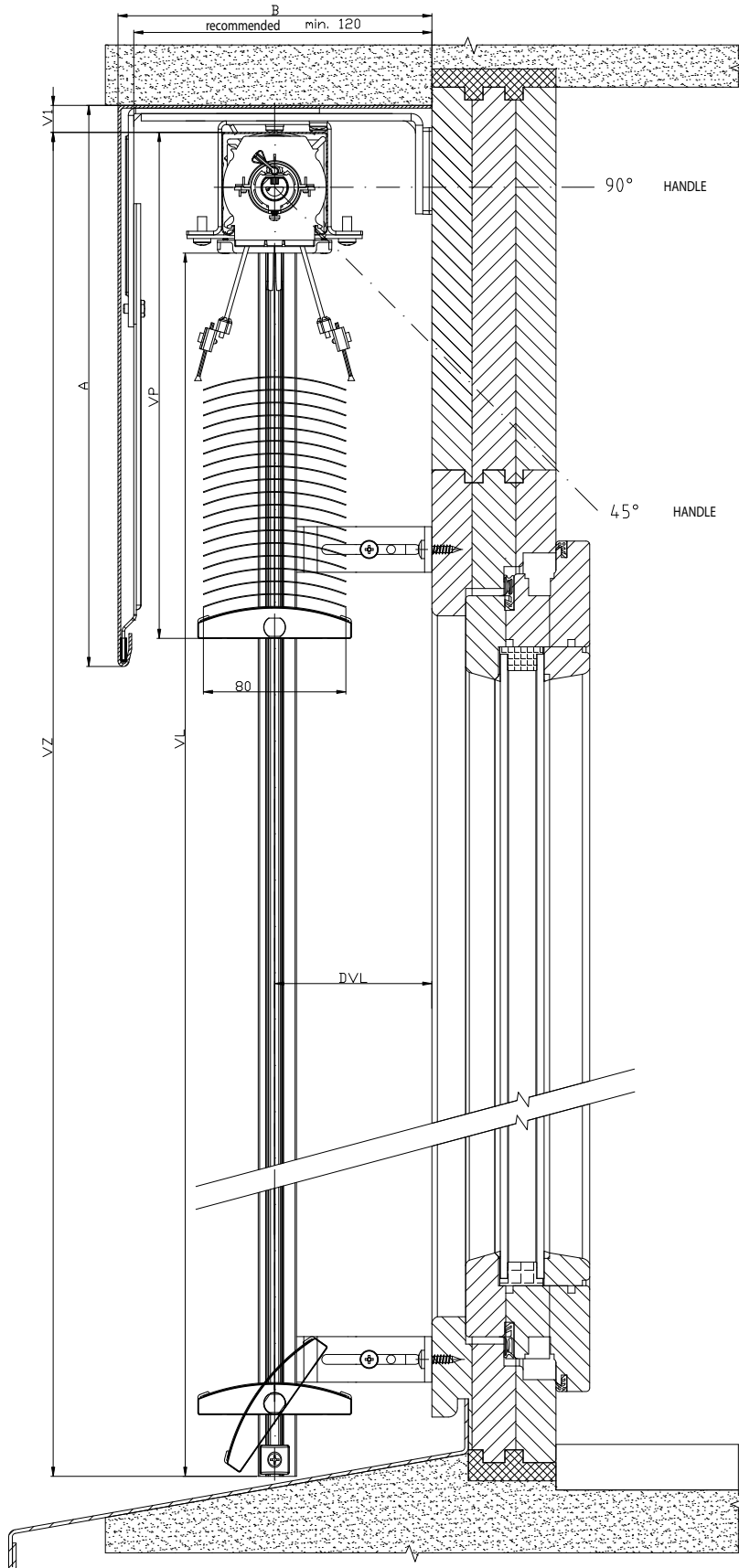
VERTICAL SECTION MOTOR CONTROL



2-01825-0027-0

CETTA 80 - FLEXI EXTERIOR BLIND DIAGRAM

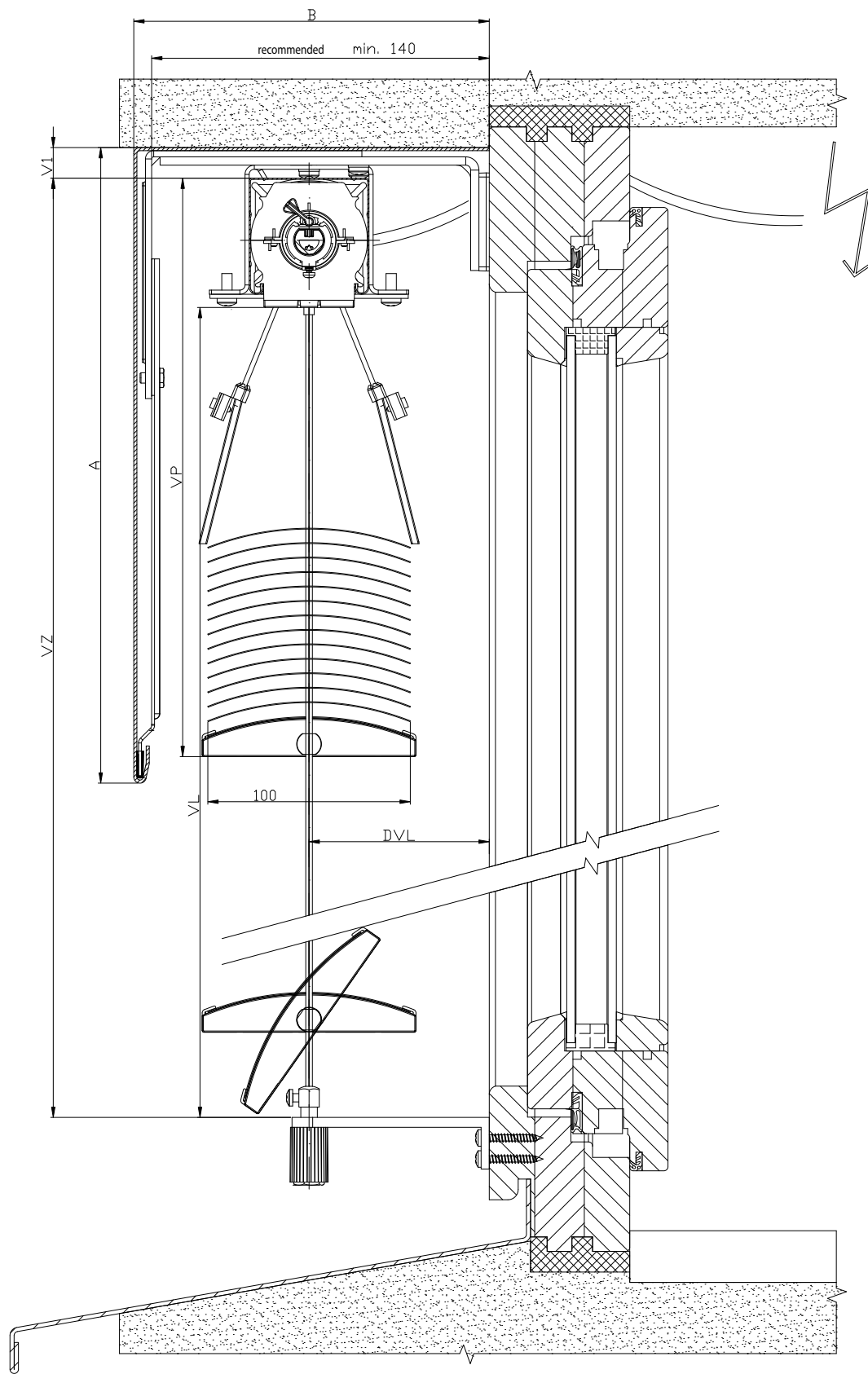
VERTICAL SECTION HANDLE CONTROL



2-01825-0026-0

CETTA 100 - FLEXI EXTERIOR BLIND DIAGRAM

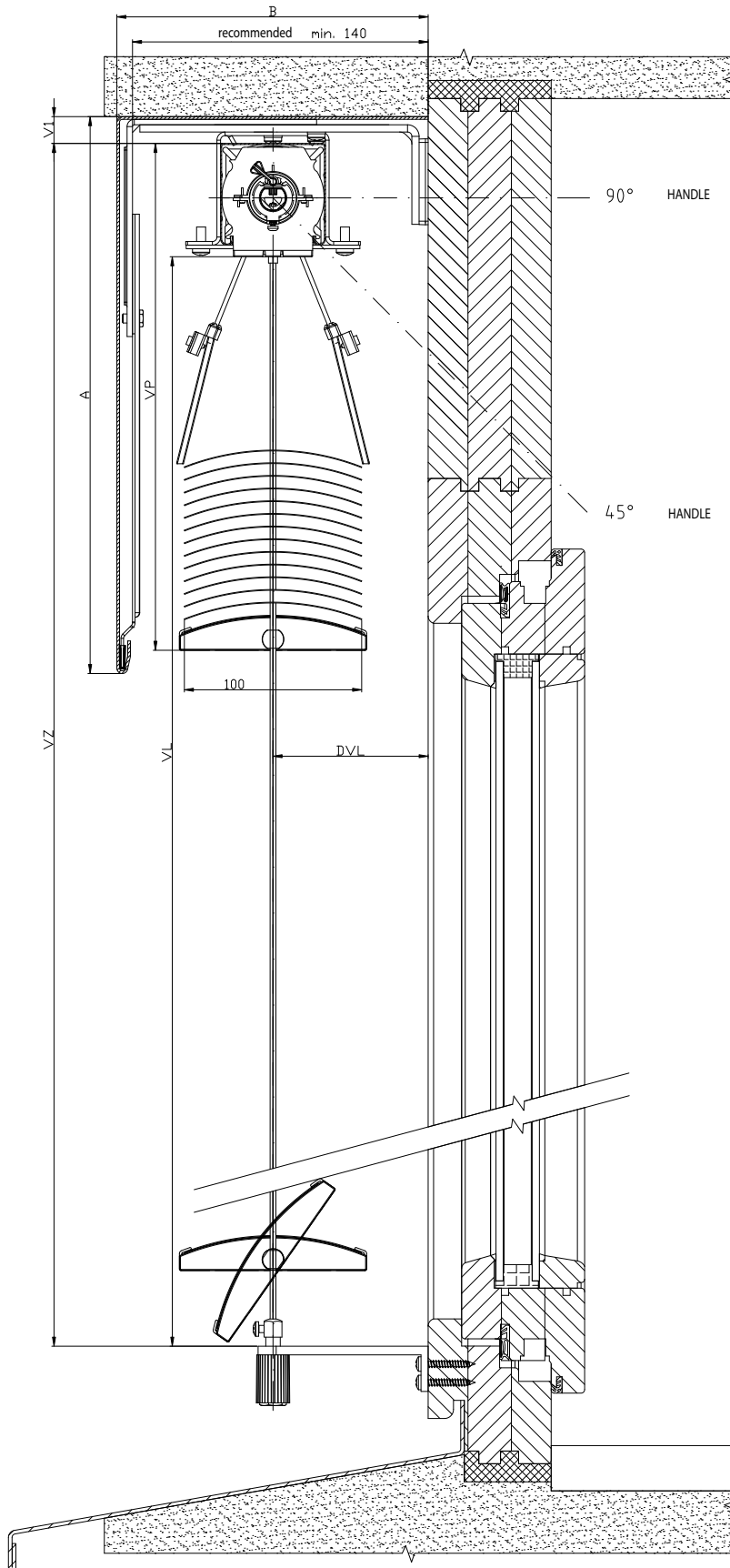
VERTICAL SECTION MOTOR CONTROL



2-01825-0037-0

CETTA 100 - FLEXI EXTERIOR BLIND DIAGRAM

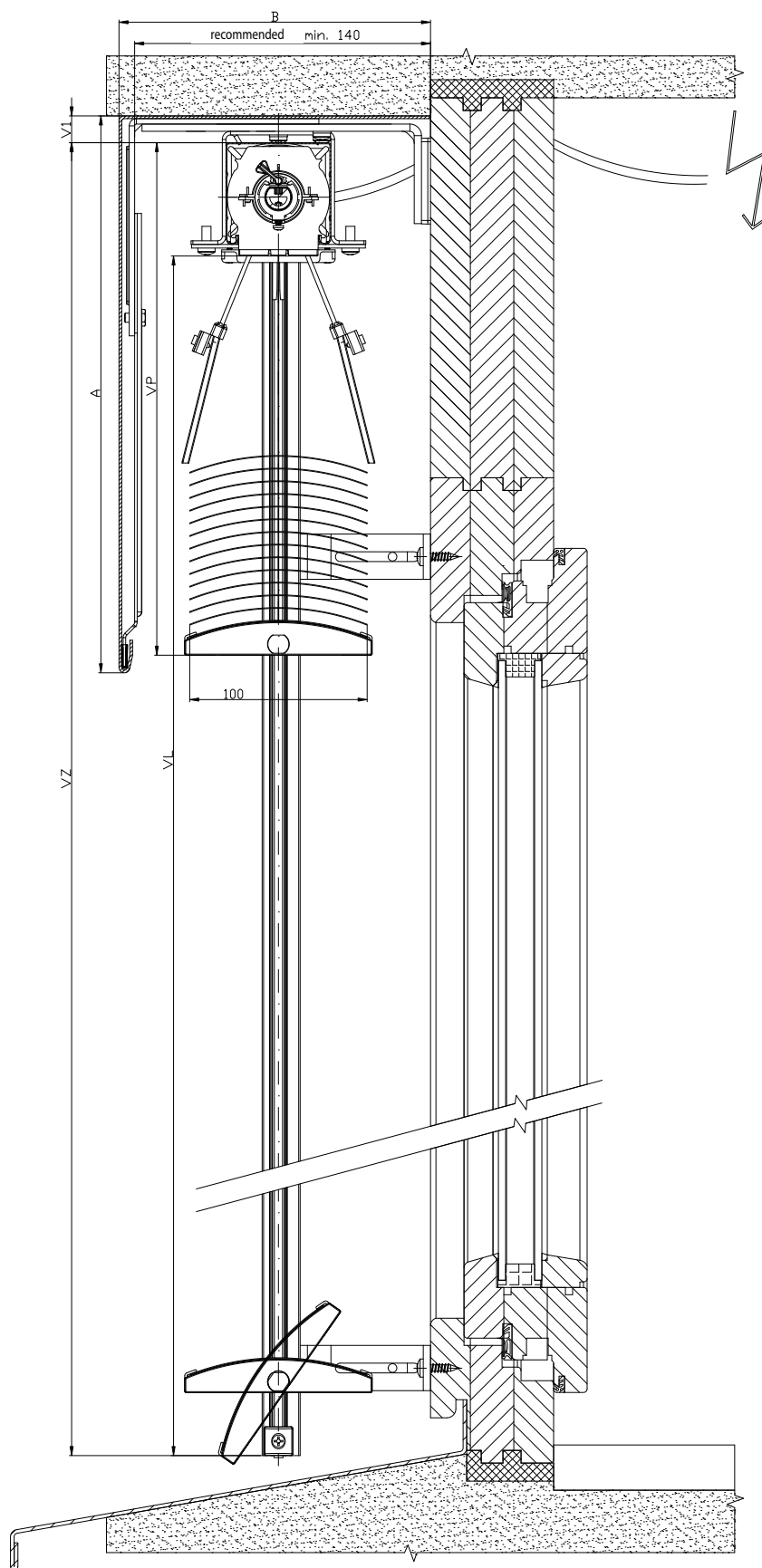
VERTICAL SECTION HANDLE CONTROL



2-01825-0038-0

CETTA 100 - FLEXI EXTERIOR BLIND DIAGRAM

VERTICAL SECTION MOTOR CONTROL



2-01825-0043-0

Slats

Control

Guidance

Blinds Holders

Front Covers

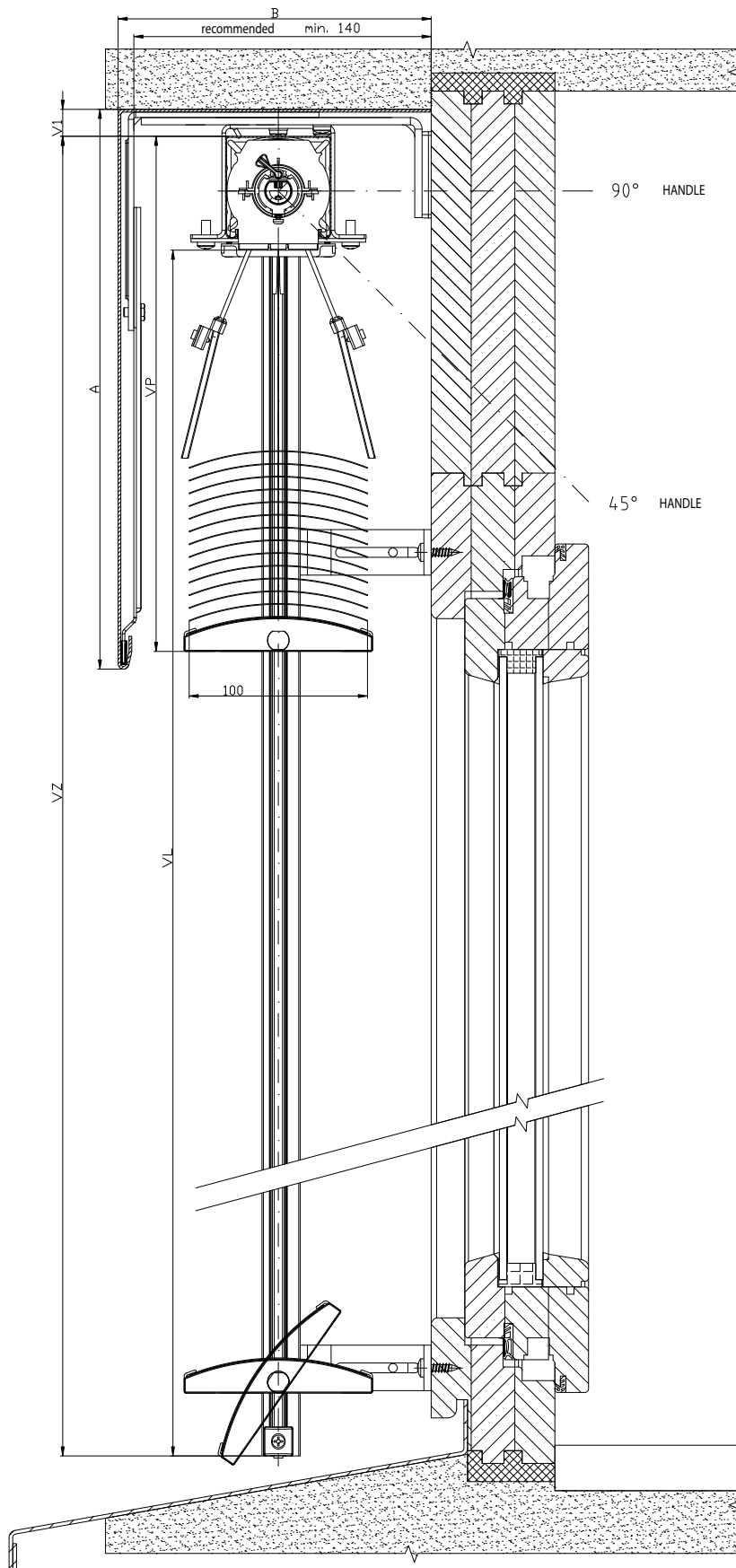
Measurement and Assembly

Alternative Designs

Special Designs

CETTA 100 - FLEXI EXTERIOR BLIND DIAGRAM

VERTICAL SECTION HANDLE CONTROL



2-01825-0042-0

Setta 65, 90



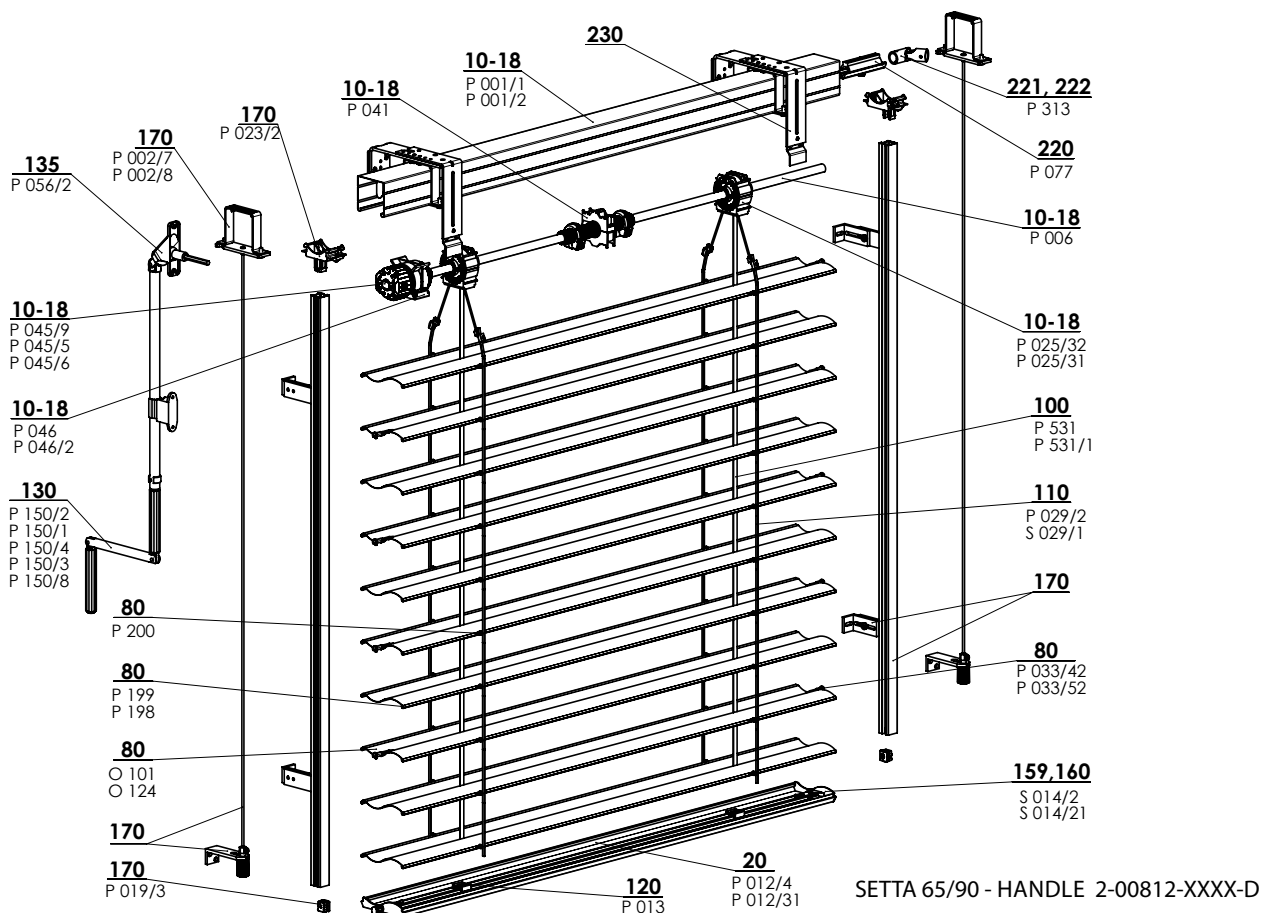
SLAT SHAPE

- ▲ Elegant slat shape „S“
- ▲ Bottom rail made of extruded aluminium
- ▲ Electrical control option
- ▲ Excellent thermo-regulating effect
- ▲ Rubber pressed in along the entire slat width

ISOTRA *Quality*

Setta 65, 90 - Handle

Basic Product Specification



SETTA 65/90 - HANDLE 2-00812-XXXX-D

Specification Setta 65

	Head Rail		Bottom Rail	Slat	Side Guidance		Ladder	Textile Band	Assembly
	P 001 56 x 58 Fe	P 001/2 58 x 60 Al			Guiding Channel	Wire			
Commercial Name			P 012/4 67 x 13 Al	S 037 0,42 x 83 Al	See Chapter "Guidance" for guiding channel alternatives	P 036 Ø 3,2 Fe/PVC	P 029/2 60 x 9,5 PES	P 531, P531/1 6 x 0,28 PES	See Chapter "Assembly"
Dimension (mm)									
Material									
Color	Standard: galvanized steel plate natural (Al profil) Other RAL colors sprayed, DECORAL*		Standard: anodized aluminum Other RAL colors sprayed, DECORAL*	According to current ISOTRA a.s. scheme	Standard: anodized Other RAL colors sprayed, DECORAL*	grey black	grey black	grey black	

Specification Setta 90

	Head Rail		Bottom Rail	Slat	Side Guidance		Ladder	Textile Band	Assembly
	P 001 56 x 58 Fe	P 001/2 58 x 60 Al			Guiding Channel	Wire			
Commercial Name			P 012/31 93 x 14 Al	S 039 0,42 x 113 Al	See Chapter "Guidance" for guiding channel alternatives	P 036 Ø 3,2 Fe/PVC	S029/1 86 x 9,5 PES	P 531, P531/1 6 x 0,28 PES	See Chapter "Assembly"
Dimension (mm)									
Material									
Color	Standard: galvanized steel plate natural (Al profil) Other RAL colors sprayed, DECORAL*		Standard: anodized aluminum Other RAL colors sprayed, DECORAL*	According to current ISOTRA a.s. scheme	Standard: anodized Other RAL colors sprayed, DECORAL*	grey black	grey black	grey black	

*Maximum dimension 4000mm.

We do not make atypical designs.

Standard Dimensions

Width (mm)		Height (mm)		Guaranteed Area (m ²)
min.	max.	min.	max.	max.
600	6000*	500	4000	8 (Handle control)

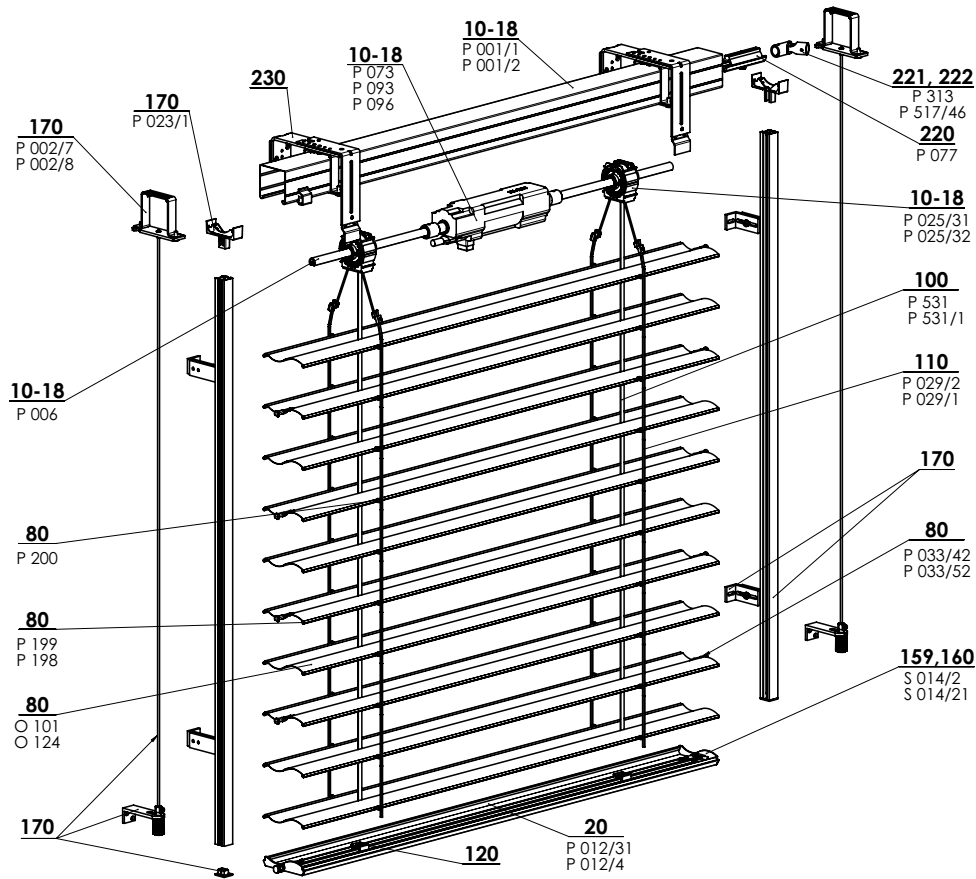
* Note: The wider the blind, the lower its wind resistance class - see "Wind resistance of exterior blinds", page 3-6.

Setta 65,90 - handle (2-00812-XXXX)

Position	Item name	Business name - Abbreviation 2	Order number - Abbreviation 1
10-18	Head rail Fe	P 001/1	3-00166-PU22
10-18	Upper head rail	P 001/2	7-301180-0000
10-18	Bearing C80 / C65 / S65 / Z70	P 025/31	2-01098-9004
10-18	Bearing Z90 / S90	P 025/32	2-01099-9004
10-18	Shaft	P 006	7-300198-0000
10-18	End stop 56x58	P 041	2-00048-9004
10-18	Gearing	P 045/9	6-010260-0000
10-18	Plastic gearing 8-mm square	P 045/5	6-013232-0000
10-18	Plastic gearing 6-mm hexagonal	P 045/6	6-013233-0000
20	Bottom rail profile Z 90 and S90 raw/elox	P012/31	7-303928-XXXX
20	Bottom rail profile S65 elox	P 012/4	7-301895-PU52
80	Aluminium slat		see Slats
80	Slat rubber Z70 - grey	P 199	7-301334-XXXX
80	Slat rubber Z90 - grey	P 198	7-301335-XXXX
80	Connecting hook	P 200	6-001206-0000
80	End guidance for slat "Z" L+R	P 033/42	3-03968-xxxx
80	End guidance for slat "Z" L+R metal	P 033/52	3-03965-PU19
80	Metal end guidance for slat "Z" left+right	P 033/33	7-302174-PU19
100	Textile band 6x0,28 mm	P 531	6-001284-9006
100	Textile band 6x0,28mm-black	P 531/1	6-012700-9004
110	Ladder Z70 60/9,5 - grey/black	P 029/2	6-001159-XXXX
110	Ladder S90 86/9,5 - grey/black	S 029/1	6-011065-XXXX
120	Textile band holder	P 013	2-00039-0000
130	Complete handle hexagonal (45°/90°)	P 150/1	2-00298-0000
130	Complete handle removable square 90°	P 150/4	2-00581-0000
130	Complete handle with cardan square 90°	P 150/3	2-00300-0000
130	Complete handle without bushing	P 150/8	2-01302-0000
135	Bushing 90° white SQ 8x250 (23x85 mm)	P 056/2	6-006684-XXXX
159,160	End lock S 65 left+right	S 014/2	2-00697-XXXX
159,160	End lock S90 left+right	S 014/21	2-01116-XXXX
170	Guidance - wire/guiding channel + holder		see Guidance
170	Upper head rail hanger - Fe PROFILE WINDSTABIL	P 002/7	2-01128-0000
170	Upper head rail hanger - Al PROFILE WINDSTABIL	P 002/8	2-01294-0000
170	Locking hanger of guiding channel	P 023/1	3-02758-9004
220	Shaft coupling	P 077	6-001198-0000
221	Joint coupling of shaft C 65/80 and Z70/90	P 313	6-003075-0000
222	Gearing corner, D-46mm	P 517/46	6-017225-0000
230	Holders for exterior blinds		see Holders

Setta 65, 90 - motor

Basic Product Specification



SETTA 65/90 - MOTOR 2-00813-XXXX-B

Specification Setta 65

	Head Rail		Bottom Rail	Slat	Side Guidance		Ladder	Textile Band	Assembly
	P 001 56 x 58 Fe	P 001/2 58 x 60 Al			Guiding Channel	Wire			
Commercial Name	P 001	P 001/2	P 012/4	S 039	See Chapter "Guidance" for guiding channel alternatives	P 036 Ø 3,2 Fe/PVC	P 029/2 60 x 9,5 PES	P 531, P531/1 6 x 0,28 PES	See Chapter "Assembly"
Dimension (mm)	56 x 58	58 x 60	67 x 13	0,42 x 83					
Material	Fe	Al	Al	Al					
Color	Standard: galvanized steel plate natural (Al profil) Other RAL colors sprayed		Standard: anodized aluminum Other RAL colors sprayed	According to current ISOTRA a.s. scheme	Standard: anodized Other RAL colors sprayed	grey black	grey black	grey black	

Specification Setta 90

	Head Rail		Bottom Rail	Slat	Side Guidance		Ladder	Textile Band	Assembly
	P 001 56 x 58 Fe	P 001/2 58 x 60 Al			Guiding Channel	Wire			
Commercial Name	P 001	P 001/2	P 012/31	S 037	See Chapter "Guidance" for guiding channel alternatives	P 036 Ø 3,2 Fe/PVC	S029/1 86 x 9,5 PES	P 531, P531/1 6 x 0,28 PES	See Chapter "Assembly"
Dimension (mm)	56 x 58	58 x 60	93 x 14	0,42 x 113					
Material	Fe	Al	Al	Al					
Color	Standard: galvanized steel plate natural (Al profil) Other RAL colors sprayed		Standard: anodized aluminum Other RAL colors sprayed	According to current ISOTRA a.s. scheme	Standard: anodized Other RAL colors sprayed	grey black	grey black	grey black	

We do not make atypical designs.

Standard Dimensions

Width (mm)		Height (mm)		Guaranteed Area (m ²)
min.	max.	min.	max.	max.
600	6000*	500	4000	24 m ²

* Note: The wider the blind, the lower its wind resistance class - see "Wind resistance of exterior blinds", page 3-6.

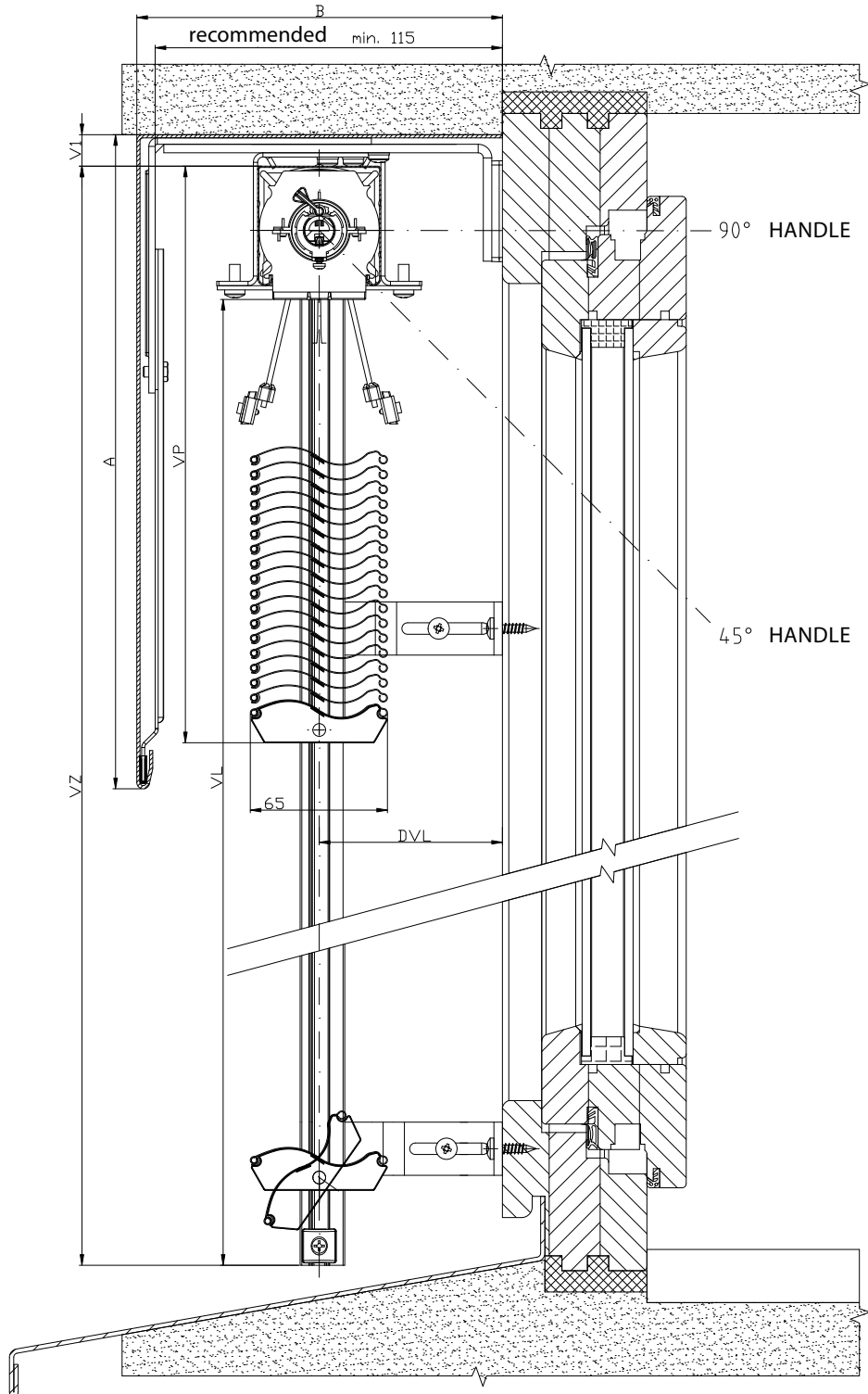
Setta 65,90 - motor (2-00813-XXXX)

Position	Item name	Business name - Abbreviation 2	Order number - Abbreviation 1
10-18	Head rail Fe	P 001/1	3-00166-PU22
10-18	Upper head rail	P 001/2	7-301180-000
10-18	Bearing C65, C80, Z70, S65	P 025/31	2-01098-9004
10-18	Bearing Z90/S90	P 025/32	2-01099-9004
10-18	Shaft	P 006	7-300198-0000
10-18	Motors (ELERO)	P 096	2-00648-0000
10-18	Motors (SOMFY)	P 073	2-00512-0000
10-18	Motors (GEIGER)	P 093	2-00572-0000
20	Bottom rail profile Z 90 a S90 raw/elox	P012/31	7-303928-XXXX
20	Bottom rail profile S65 elox	P 012/4	7-301895-PU52
80	Aluminium slat		see Slats
80	Slat rubber Z70 - grey / black	P 199	7-301334-XXXX
80	Slat rubber Z90 - grey / black	P 198	7-301335-XXXX
80	Connecting hook	P 200	6-001206-0000
80	End guidance for slat "Z" L+R	P 033/42	3-03968-xxxx
80	End guidance for slat "Z" L+R metal	P 033/52	3-03965-PU19
80	Metal end guidance pro lamelu "Z" left+right	P 033/33	7-302174-PU19
100	Textile band 6x0,28 mm	P 531	6-001284-9006
100	Textile band 6x0,28mm-black	P 531/1	6-012700-9004
110	Ladder Z70 60/9,5 - grey/black	P 029/2	6-001159-XXXX
110	Ladder S90 86/9,5 - grey/black	S 029/1	6-011065-XXXX
120	Textile band holder	P 013	2-00039-0000
159,160	End lock S 65 left+right	S 014/2	2-00697-XXXX
159,160	End lock S90 left+right	S 014/21	2-01116-XXXX
170	Guidance - wire/guiding channel + holder		see Guidance
170	Upper head rail hanger - Fe PROFILE WINDSTABIL	P 002/7	2-01128-0000
170	Upper head rail hanger - Al PROFILE WINDSTABIL	P 002/8	2-01294-0000
170	Locking hanger of guiding channel	P 023/1	3-02758-9004
220	Shaft coupling	P 077	6-001198-0000
221	Joint coupling of shaft C 65/80 and Z70/90	P 313	6-003075-0000
222	Gearing corner, D-46mm	P 517/46	6-017225-0000
230	Holders for exterior blinds		see Holders

SETTA 65 EXTERIOR BLIND DIAGRAM

VERTICAL SECTION

HANDLE CONTROL

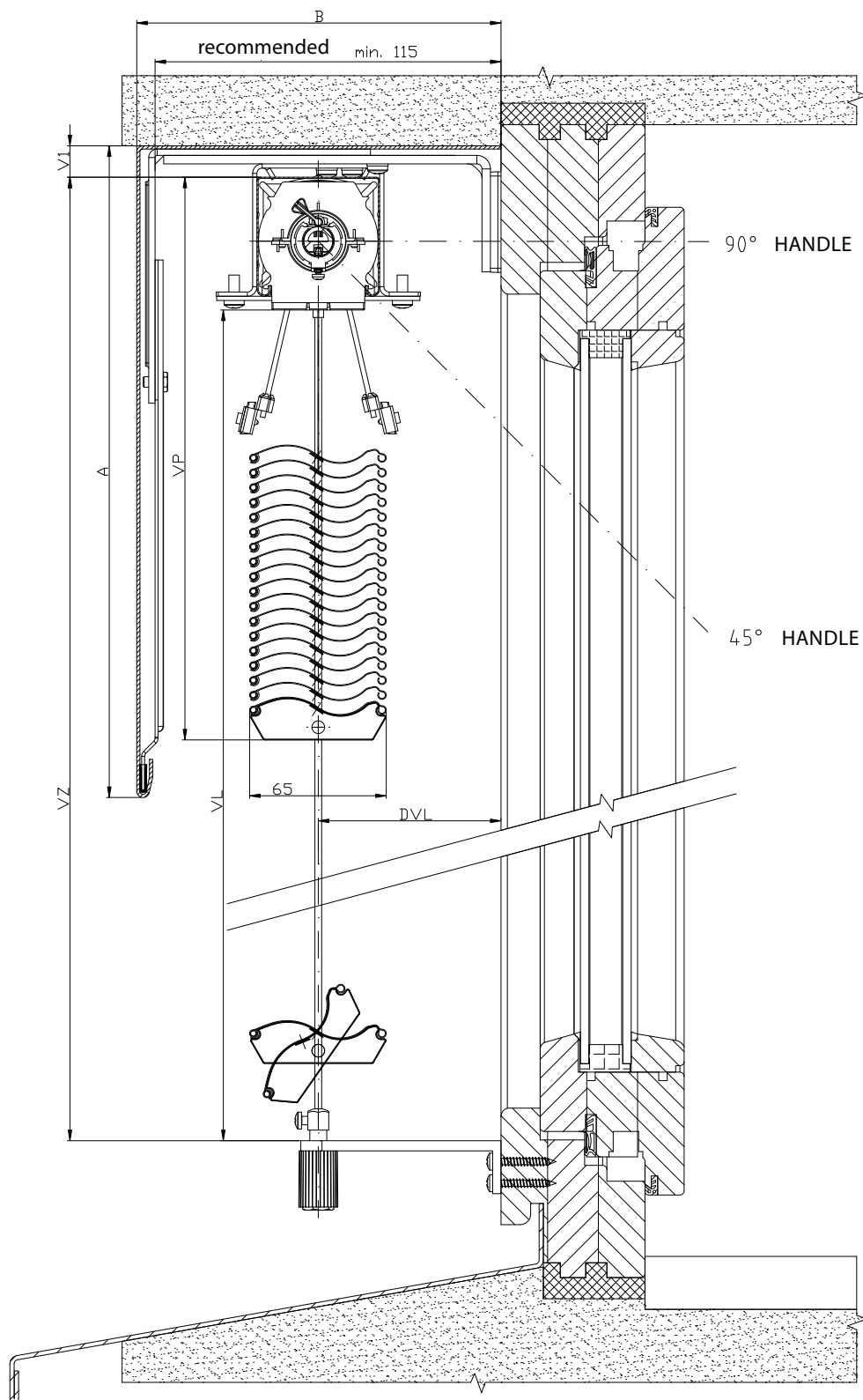


2-01825-0048-0

SETTA 65 EXTERIOR BLIND DIAGRAM

VERTICAL SECTION

HANDLE CONTROL

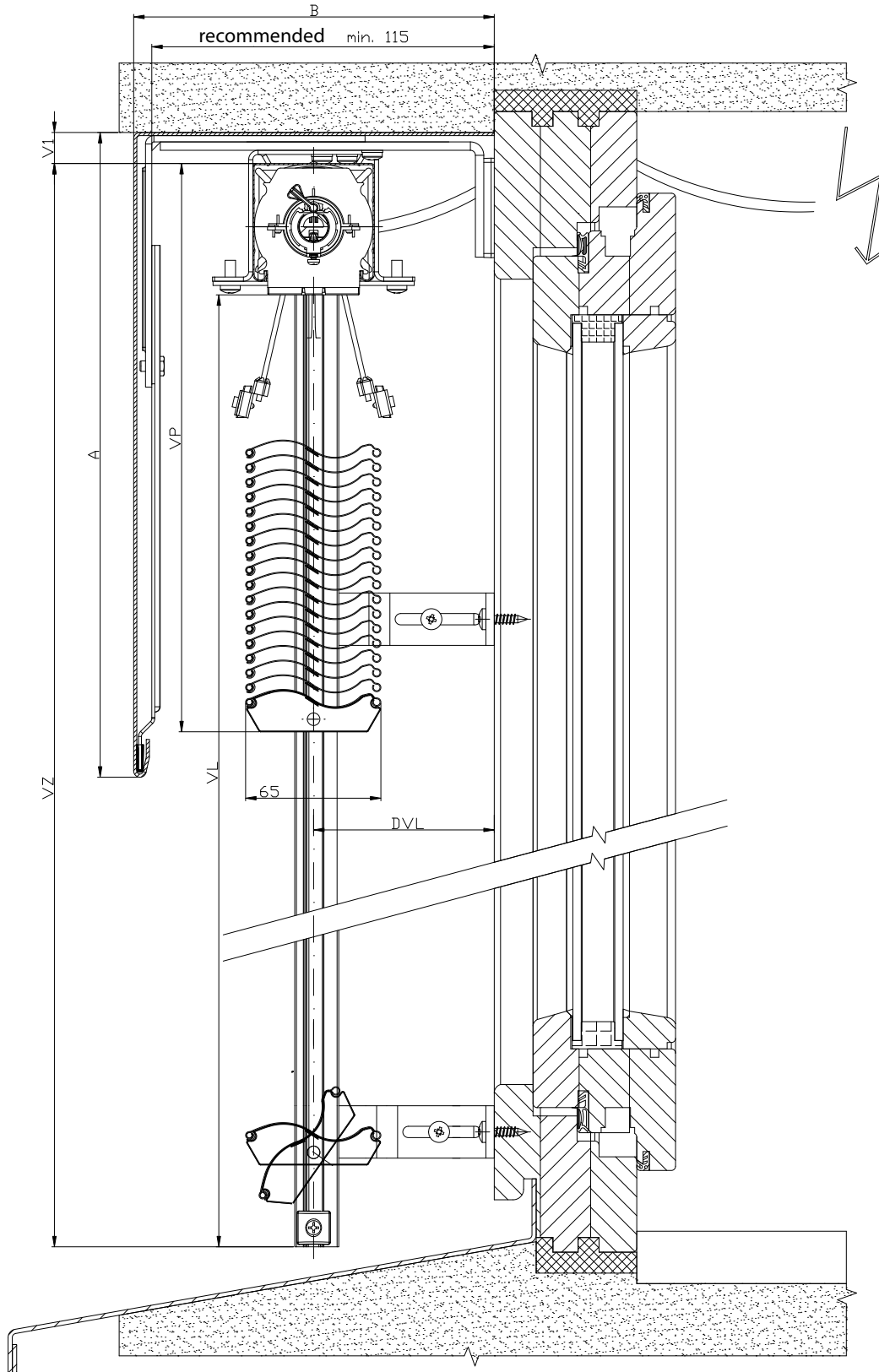


2-01825-0044-0

SETTA 65 EXTERIOR BLIND DIAGRAM

VERTICAL SECTION

MOTOR CONTROL

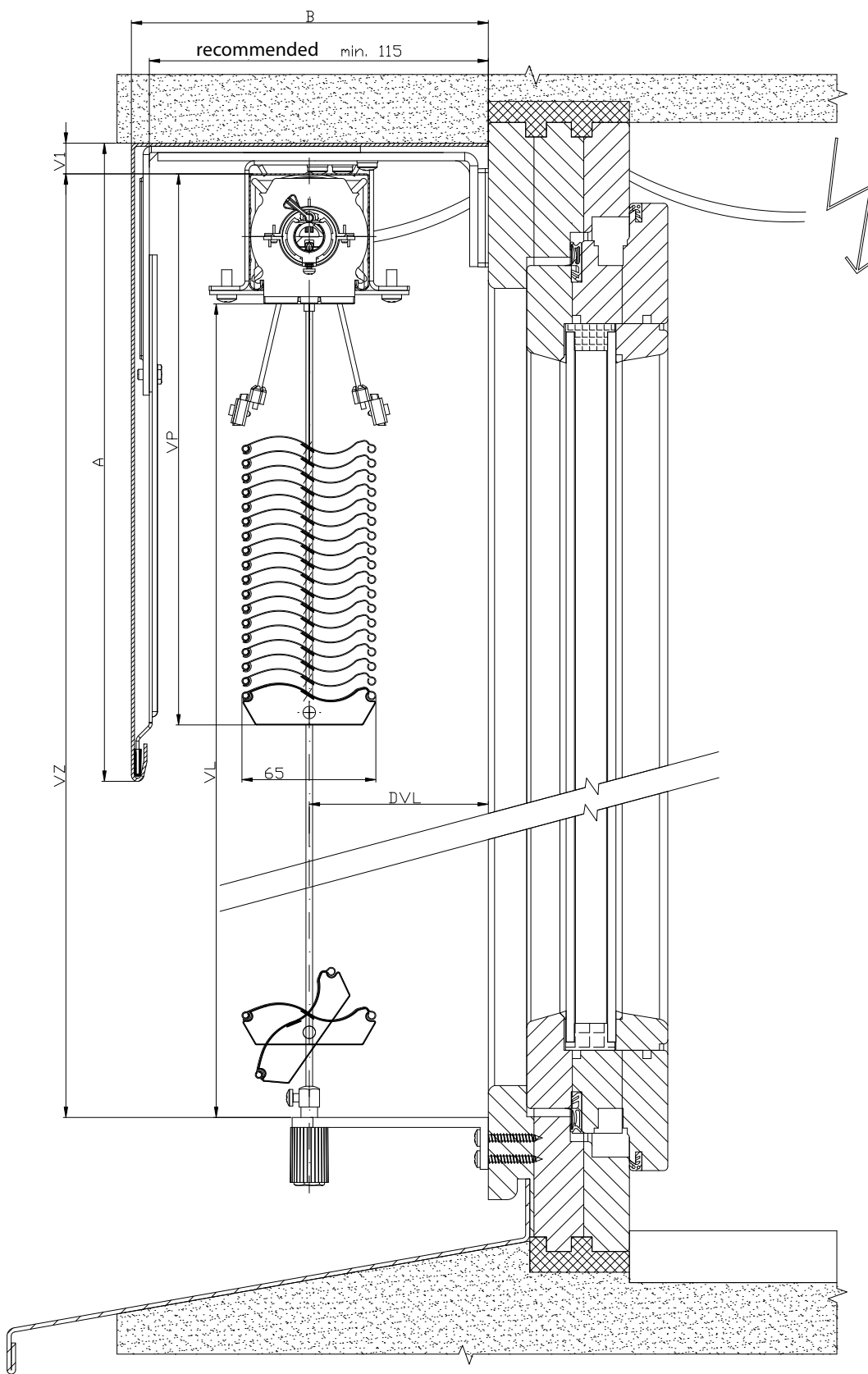


2-01825-0049-0

SETTA 65 EXTERIOR BLIND DIAGRAM

VERTICAL SECTION

MOTOR CONTROL

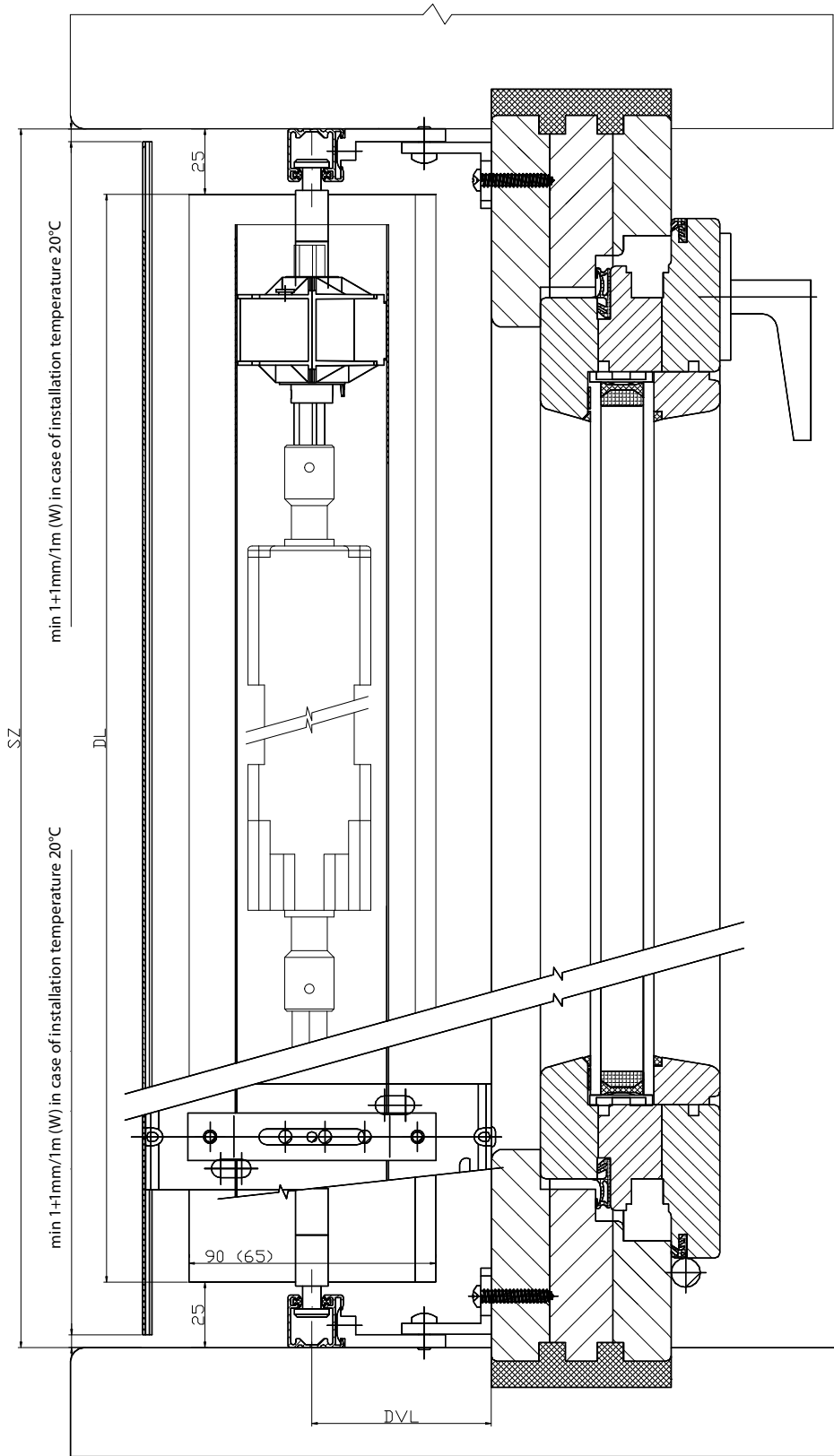


2-01825-0045-0

SETTA 90/65 EXTERIOR BLIND DIAGRAM

HORIZONTAL SECTION

MOTOR CONTROL



2-01825-0081-0

Zetta 70, 90



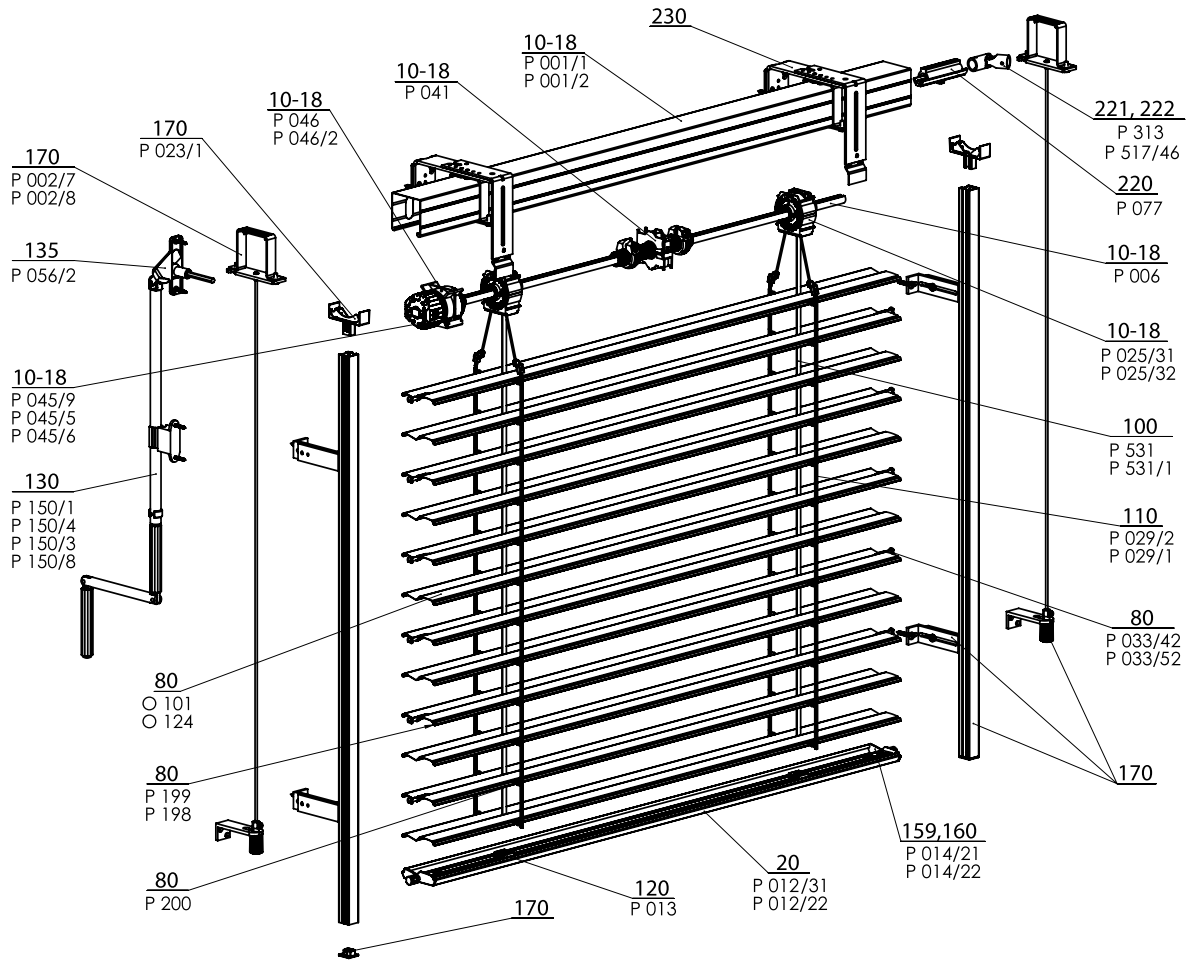
SLAT SHAPE

- ▲ High degree of shading
- ▲ Thermo-regulating and protecting effect
- ▲ Outside noise level reduction
- ▲ Bottom rail made of extruded aluminum
- ▲ Electrical control option
- ▲ Rubber pressed in along the entire slat width

ISOTRA *Quality*

Zetta 70, 90 - Handle

Basic Product Specification



ZETTA 70/90 - HANDLE 2-00157-XXXX-G

Specification Zetta 70

	Head Rail		Bottom Rail	Slat	Side Guidance		Ladder	Textile Band	Assembly
	P 001 56 x 58 Fe	P 001/2 58 x 60 Al	P 012/2 67 x 13 Al	P 038 0,42 x 83 Al	Guiding Channel	Wire			
Commercial Name					See Chapter "Guidance" for guiding channel alternatives	P 036 Ø 3,2 Fe/PVC	P 029/2 60 x 9,5 PES	P 531, P531/1 6 x 0,28 PES	See Chapter "Assembly"
Dimension (mm)									
Material									
Color	Standard: galvanized steel plate natural (Al profil) Other RAL colors sprayed, DECORAL*		Standard: anodized aluminum Other RAL colors sprayed, DECORAL*	According to current ISOTRA a.s. scheme	Standard: anodized Other RAL colors sprayed, DECORAL*	grey black	grey black	grey black	

Specification Zetta 90

	Head Rail		Bottom Rail	Slat	Side Guidance		Ladder	Textile Band	Assembly
	P 001 56 x 58 Fe	P 001/2 58 x 60 Al	P 012/31 93 x 14 Al	P 037 0,42 x 113 Al	Guiding Channel	Wire			
Commercial Name					See Chapter "Guidance" for guiding channel alternatives	P 036 Ø 3,2 Fe/PVC	P 029/1 80 x 9,5 PES	P 531, P531/1 6 x 0,28 PES	See Chapter "Assembly"
Dimension (mm)									
Material									
Color	Standard: galvanized steel plate natural (Al profil) Other RAL colors sprayed, DECORAL*		Standard: anodized aluminum Other RAL colors sprayed, DECORAL*	According to current ISOTRA a.s. scheme	Standard: anodized Other RAL colors sprayed, DECORAL*	grey black	grey black	grey black	

*Maximum dimension 4000mm.

We do not make atypical designs.

Standard Dimensions

Minimum Width (mm)		Height (mm)		Guaranteed Area (m ²)
min.	max.	min.	max.	max.
600	6000*	500	4000	8

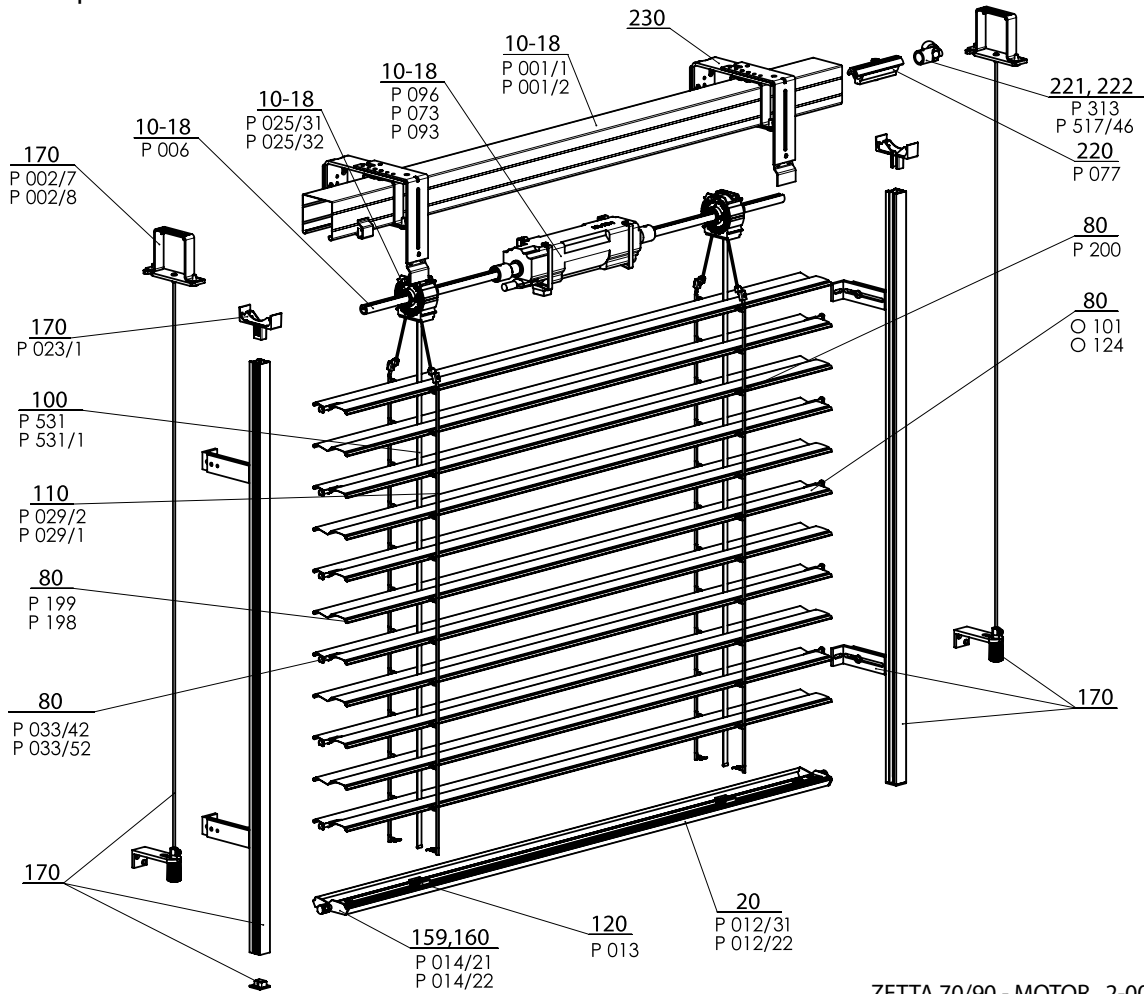
* Note: The wider the blind, the lower its wind resistance class - see "Wind resistance of exterior blinds", page 3-6.

Zetta 70,90 - handle (2-00157-7001/9001)

Position	Item name	Business name - Abbreviation 2	Order number - Abbreviation 1
10-18	Head rail Fe	P 001/1	3-00166-PU22
10-18	Upper head rail	P 001/2	7-301180-0000
10-18	Bearing C80 / C65 / S65 / Z70	P 025/31	2-01098-9004
10-18	Bearing Z90 / S90	P 025/32	2-01099-9004
10-18	Shaft	P 006	7-300198-0000
10-18	End stop 56x58	P 041	2-00048-9004
10-18	Gearing	P 045/9	6-010260-0000
10-18	Plastic gearing 8-mm square	P 045/5	6-013232-0000
10-18	Plastic gearing 6-mm hexagonal	P 045/6	6-013233-0000
10-18	Gearing holder	P 046	6-001181-0000
10-18	Gearing holder, 46 mm	P 046/2	6-013234-0000
20	Bottom rail profile Z 90 and S90 raw/elox	P012/31	7-303928-XXXX
20	Bottom rail profile C65 and Z70	P 012/22	7-302680-PU52
80	Slat Al		see Slats
80	Slat rubber Z70 - grey	P 199	7-301334-XXXX
80	Slat rubber Z90 - grey	P 198	7-301335-XXXX
80	Connecting hook	P 200	6-001206-0000
80	End guidance for slat "Z" L+R	P 033/42	3-03968-xxxx
80	End guidance for slat "Z" L+R metal	P 033/52	3-03965-PU19
100	Textile band 6x0,28 mm	P 531	6-001284-9006
100	Textile band 6x0,28mm-black	P 531/1	6-012700-9004
110	Ladder Z70 60/9,5 - grey/black	P 029/2	6-001159-XXXX
110	Ladder S90 86/9,5 - grey/black	S 029/1	6-011065-XXXX
120	Textile band holder	P 013	2-00039-0000
130	Complete handle hexagonal (45°/90°)	P 150/1	2-00298-0000
130	Complete handle removable square 90°	P 150/4	2-00581-0000
130	Complete handle with cardan square 90°	P 150/3	2-00300-0000
130	Complete handle without bushing	P 150/8	2-01302-0000
135	Bushing 90° white SQ 8x250 (23x85 mm)	P 056/2	6-006684-XXXX
159,16	End lock Z70 left+right	P 014/22	2-01117-XXXX
159,16	End lock S90 left+right	S 014/21	2-01116-XXXX
170	Guidance - wire/guiding channel + holder		see Guidance
170	Upper head rail hanger - Fe PROFILE WINDSTABIL	P 002/7	2-01128-0000
170	Upper head rail hanger - Al PROFILE WINDSTABIL	P 002/8	2-01294-0000
170	Locking hanger of guiding channel	P 023/1	3-02758-9004
220	Shaft coupling	P 077	6-001198-0000
221	Joint coupling of shaft C 65/80 and Z70/90	P 313	6-003075-0000
222	Gearing corner, D-46mm	P 517/46	6-017225-0000
230	Holders for exterior blinds		see Holders

Zetta 70, 90 - Motor

Basic Product Specification



ZETTA 70/90 - MOTOR 2-00158-XXXX-G

Specification Zetta 70

	Head Rail		Bottom Rail	Slat	Side Guidance		Ladder	Textile Band	Assembly
	P 001 56 x 58 Fe	P 001/2 58 x 60 Al	P 012/2 67 x 13 Al	P 038 0,42 x 83 Al	Guiding Channel	Wire			
Commercial Name					See Chapter "Guidance" for guiding channel alternatives	P 036 Ø 3,2 Fe/PVC	P 029/2 60 x 9,5 PES	P 531, P531/1 6 x 0,28 PES	See Chapter "Assembly"
Dimension (mm)									
Material									
Color	Standard: galvanized steel plate natural (Al profil) Other RAL colors sprayed, DECORAL*		Standard: anodized aluminum Other RAL colors sprayed, DECORAL*	According to current ISOTRA a.s. scheme	Standard: anodized Other RAL colors sprayed, DECORAL*	grey black	grey black	grey black	

Specification Zetta 90

	Head Rail		Bottom Rail	Slat	Side Guidance		Ladder	Textile Band	Assembly
	P 001 56 x 58 Fe	P 001/2 58 x 60 Al	P 012/31 93 x 14 Al	P 037 0,42 x 113 Al	Guiding Channel	Wire			
Commercial Name					See Chapter "Guidance" for guiding channel alternatives	P 036 Ø 3,2 Fe/PVC	P 029/1 80 x 9,5 PES	P 531, P531/1 6 x 0,28 PES	See Chapter "Assembly"
Dimension (mm)									
Material									
Color	Standard: galvanized steel plate natural (Al profil) Other RAL colors sprayed, DECORAL*		Standard: anodized aluminum Other RAL colors sprayed, DECORAL*	According to current ISOTRA a.s. scheme	Standard: anodized Other RAL colors sprayed, DECORAL*	grey black	grey black	grey black	

*Maximum dimension 4000mm.

We do not make atypical designs.

Standard Dimensions

Width (mm)		Height (mm)		Guaranteed Area (m ²)
min.	max.	min.	max.	max.
600	6000*	500	4000	18 (Zetta 70) 24 (Zetta 90)

* Note: The wider the blind, the lower its wind resistance class - see "Wind resistance of exterior blinds", page 3-6.

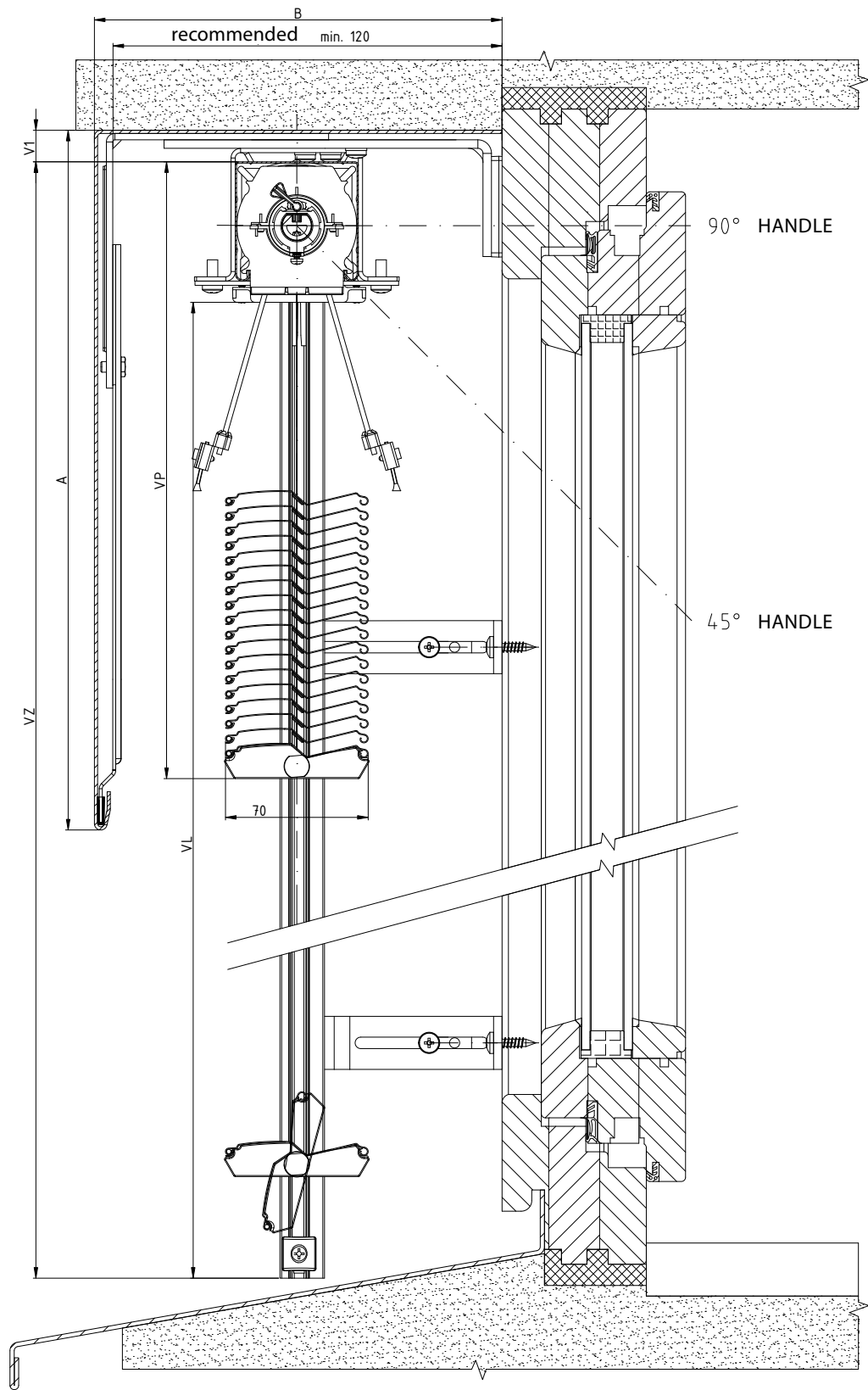
Zetta 70,90 - motor (2-00158-7001/9001)

Position	Item name	Business name - Abbreviation 2	Order number - Abbreviation 1
10-18	Head rail Fe	P 001/1	3-00166-PU22
10-18	Upper head rail	P 001/2	7-301180-000
10-18	Bearing C65, C80, Z70, S65	P 025/31	2-01098-9004
10-18	Bearing Z90/S90	P 025/32	2-01099-9004
10-18	Shaft	P 006	7-300198-0000
10-18	Motors (ELERO)	P 096	2-00648-0000
10-18	Motors (SOMFY)	P 073	2-00512-0000
10-18	Motors (GEIGER)	P 093	2-00572-0000
20	Bottom rail profile Z 90 a S90 raw/elox	P012/31	7-303928-XXXX
20	Bottom rail profile S65 elox	P 012/22	7-302680-PU52
80	Aluminium slat		see Slats
80	Slat rubber Z70 - grey / black	P 199	7-301334-XXXX
80	Slat rubber Z90 - grey / black	P 198	7-301335-XXXX
80	Connecting hook	P 200	6-001206-0000
80	End guidance for slat "Z" L+R	P 033/42	3-03968-xxxx
80	End guidance for slat "Z" L+R metal	P 033/52	3-03965-PU19
100	Textile band 6x0,28 mm	P 531	6-001284-9006
100	Textile band 6x0,28mm-black	P 531/1	6-012700-9004
110	Ladder Z70 60/9,5 - grey/black	P 029/2	6-001159-XXXX
110	Ladder S90 86/9,5 - grey/black	S 029/1	6-011065-XXXX
120	Textile band holder	P 013	2-00039-0000
159, 160	End lock Z70 left+right	P 014/22	2-01117-XXXX
159, 160	End lock S90 left+right	S 014/21	2-01116-XXXX
170	Guidance - wire/guiding channel + holder		see Guidance
170	Upper head rail hanger - Fe PROFILE WINDSTABIL	P 002/7	2-01128-0000
170	Upper head rail hanger - Al PROFILE WINDSTABIL	P 002/8	2-01294-0000
170	Locking hanger of guiding channel	P 023/1	3-02758-9004
220	Shaft coupling	P 077	6-001198-0000
221	Joint coupling of shaft C 65/80 and Z70/90	P 313	6-003075-0000
222	Gearing corner, D-46mm	P 517/46	6-017225-0000
230	Holders for exterior blinds		see Holders

ZETTA 70 EXTERIOR BLIND DIAGRAM

VERTICAL SECTION

HANDLE CONTROL

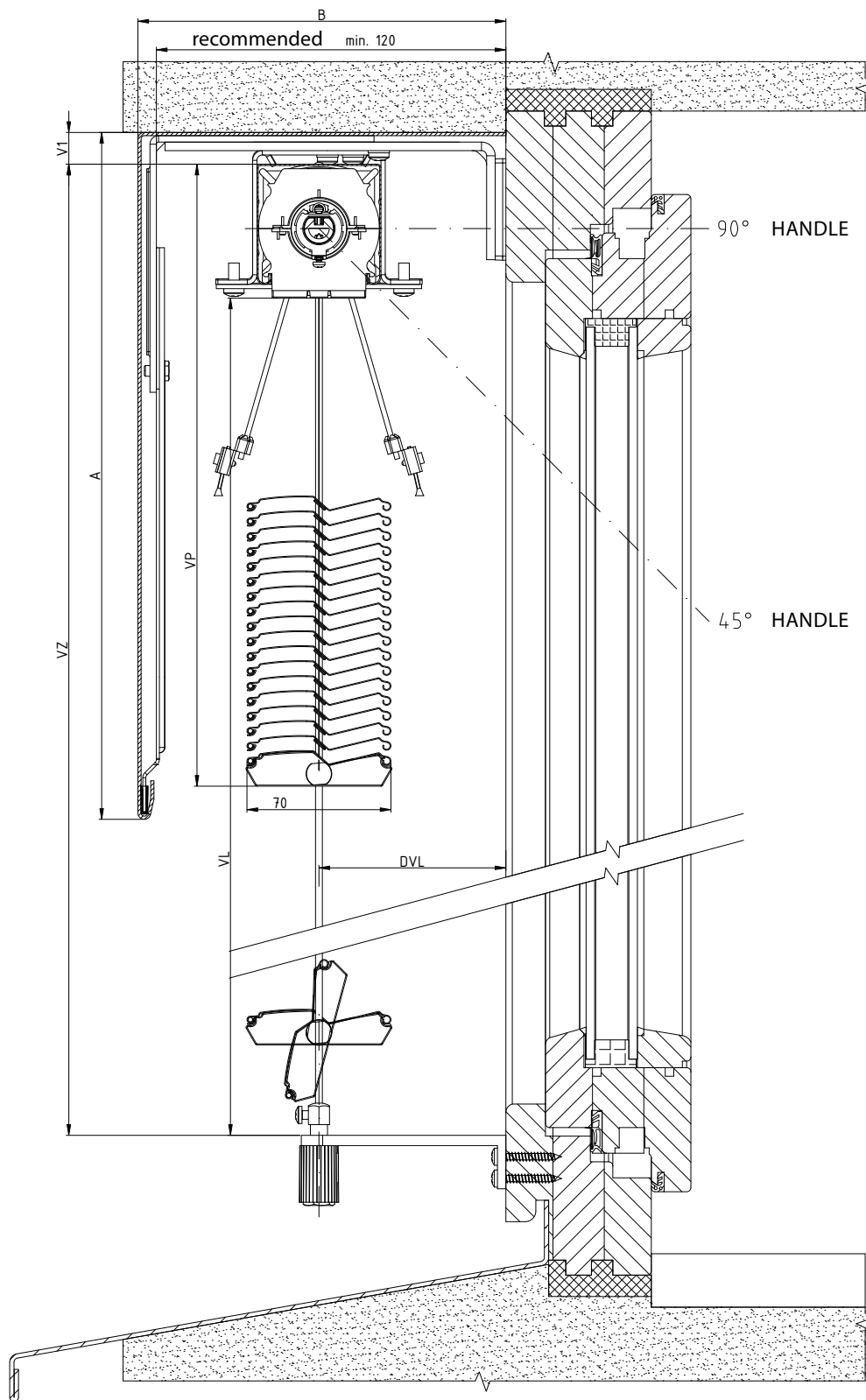


2-01825-0063-0

ZETTA 70 EXTERIOR BLIND DIAGRAM

VERTICAL SECTION

HANDLE CONTROL

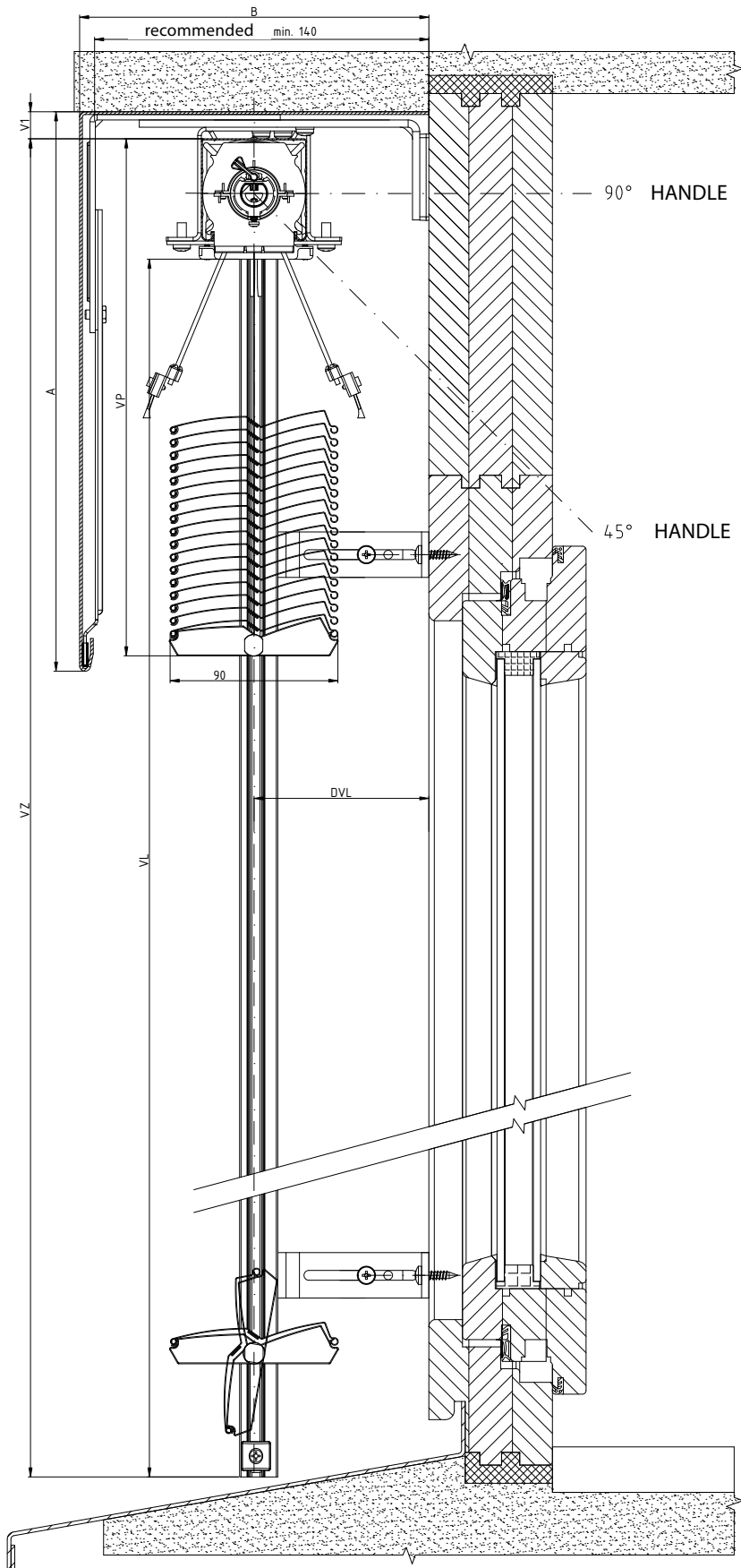


2-01825-0059-0

ZETTA 90 EXTERIOR BLIND DIAGRAM

VERTICAL SECTION

HANDLE CONTROL

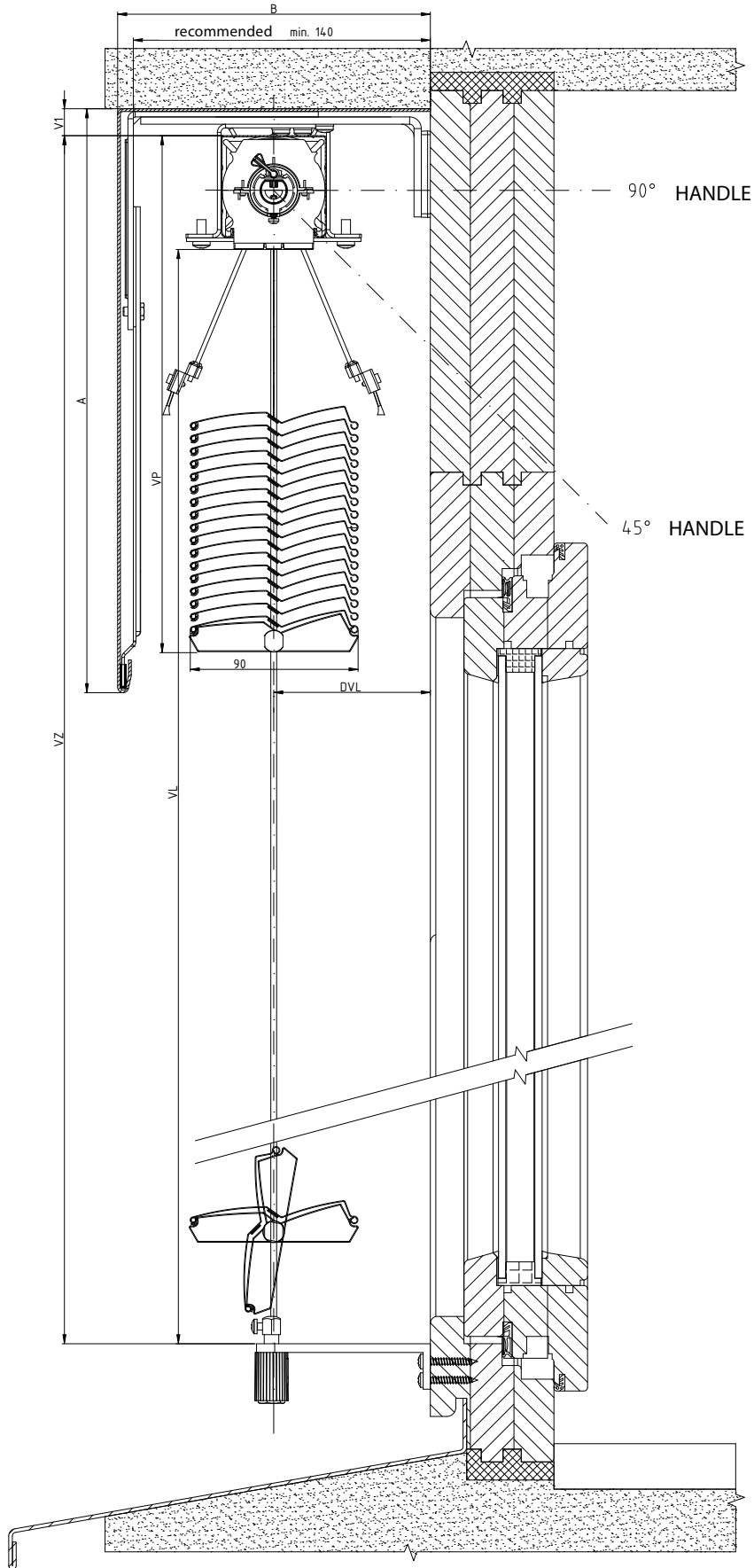


2-01825-0073-0

ZETTA 90 EXTERIOR BLIND DIAGRAM

VERTICAL SECTION

HANDLE CONTROL

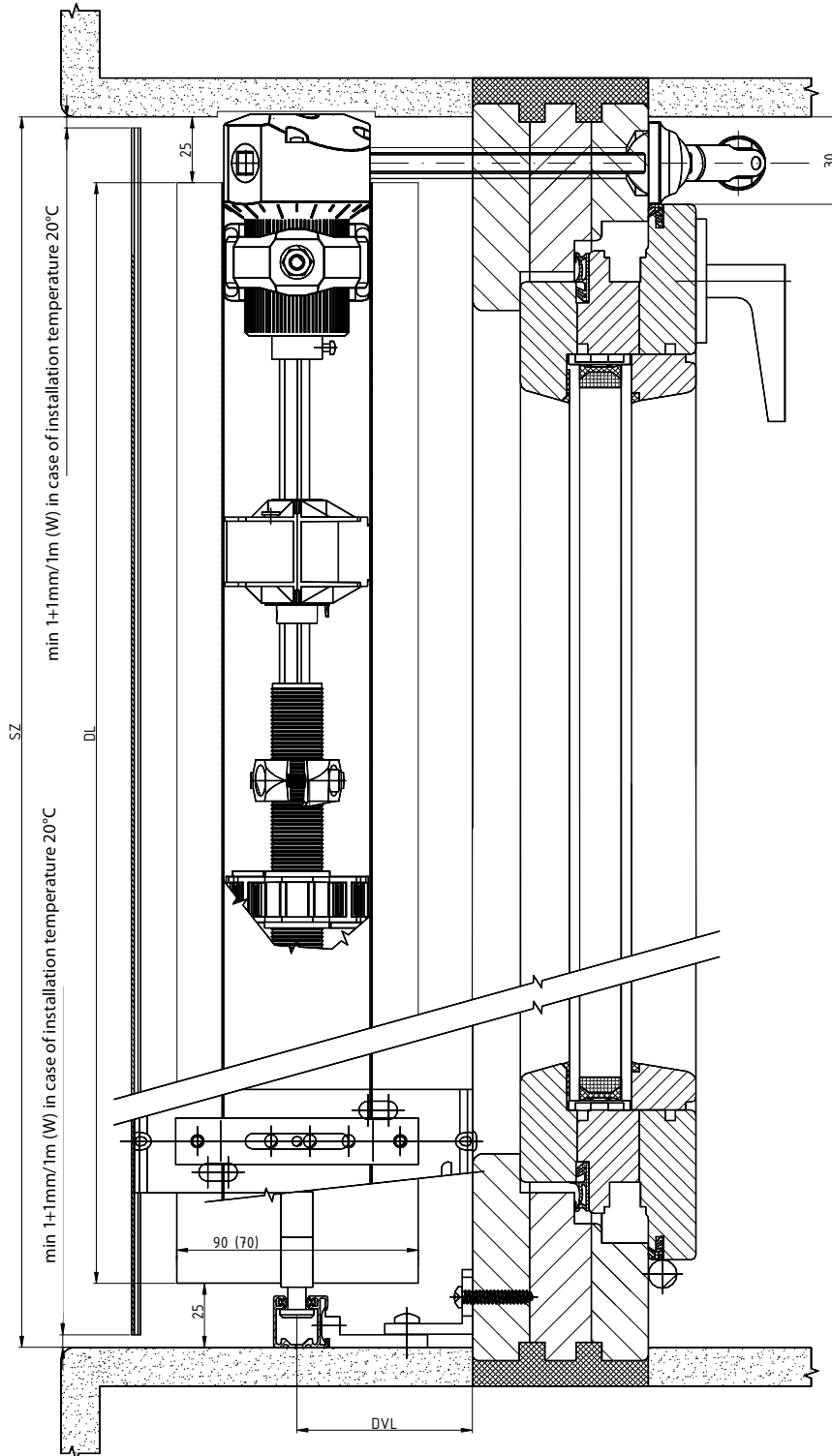


2-01825-0069-0

ZETTA 90, ZETTA 70 EXTERIOR BLIND DIAGRAM

HORIZONTAL SECTION

HANDLE CONTROL

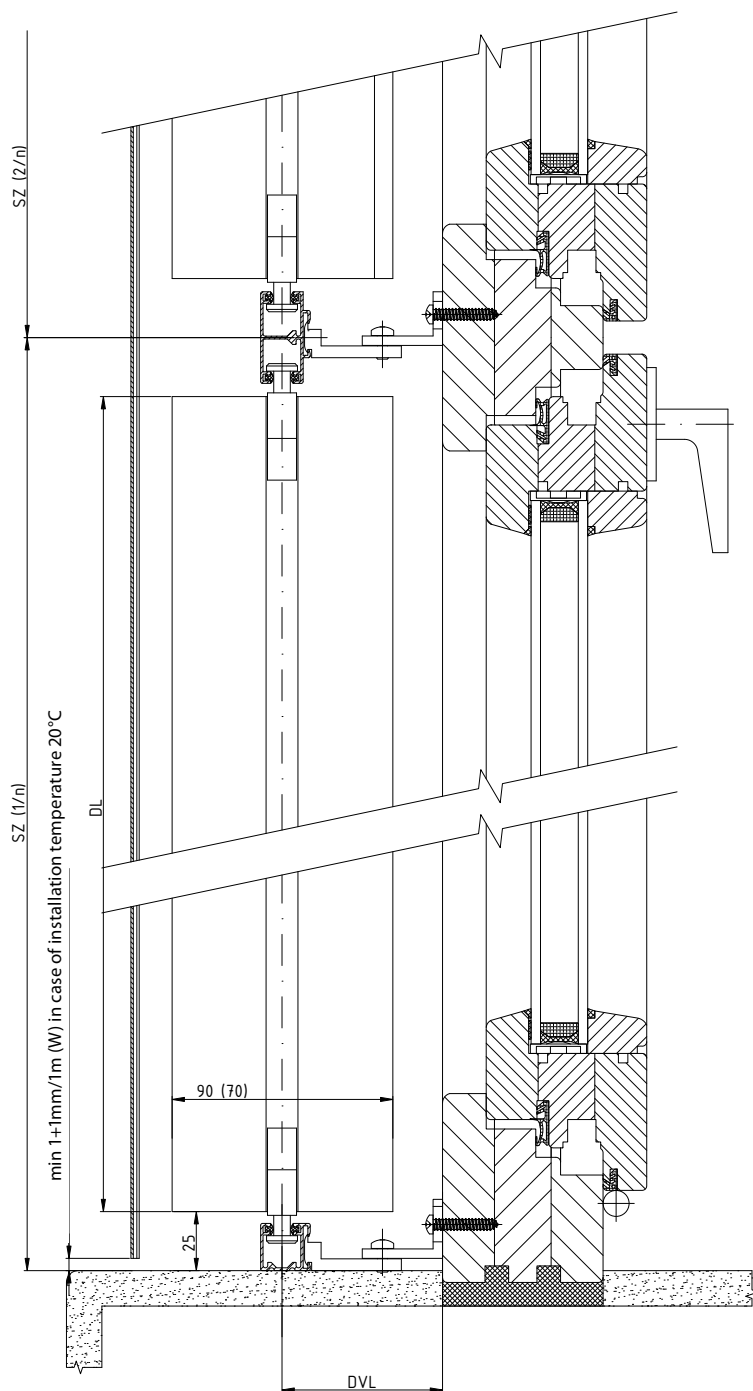


2-01825-0079-0

ZETTA 70, ZETTA 90 EXTERIOR BLIND DIAGRAM

HORIZONTAL SECTION

HANDLE CONTROL

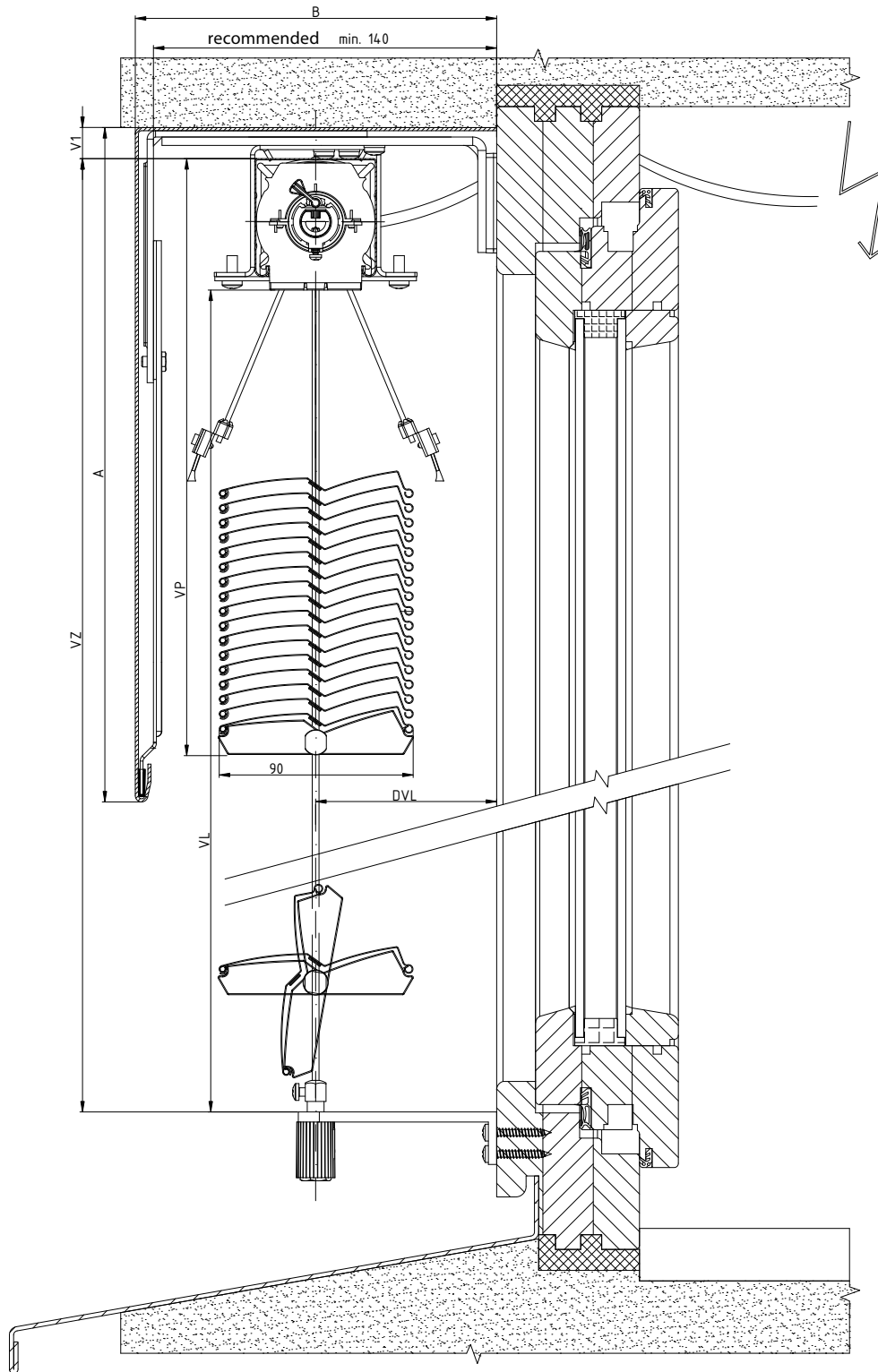


2-01825-0080-0

ZETTA 90 EXTERIOR BLIND DIAGRAM

VERTICAL SECTION

MOTOR CONTROL

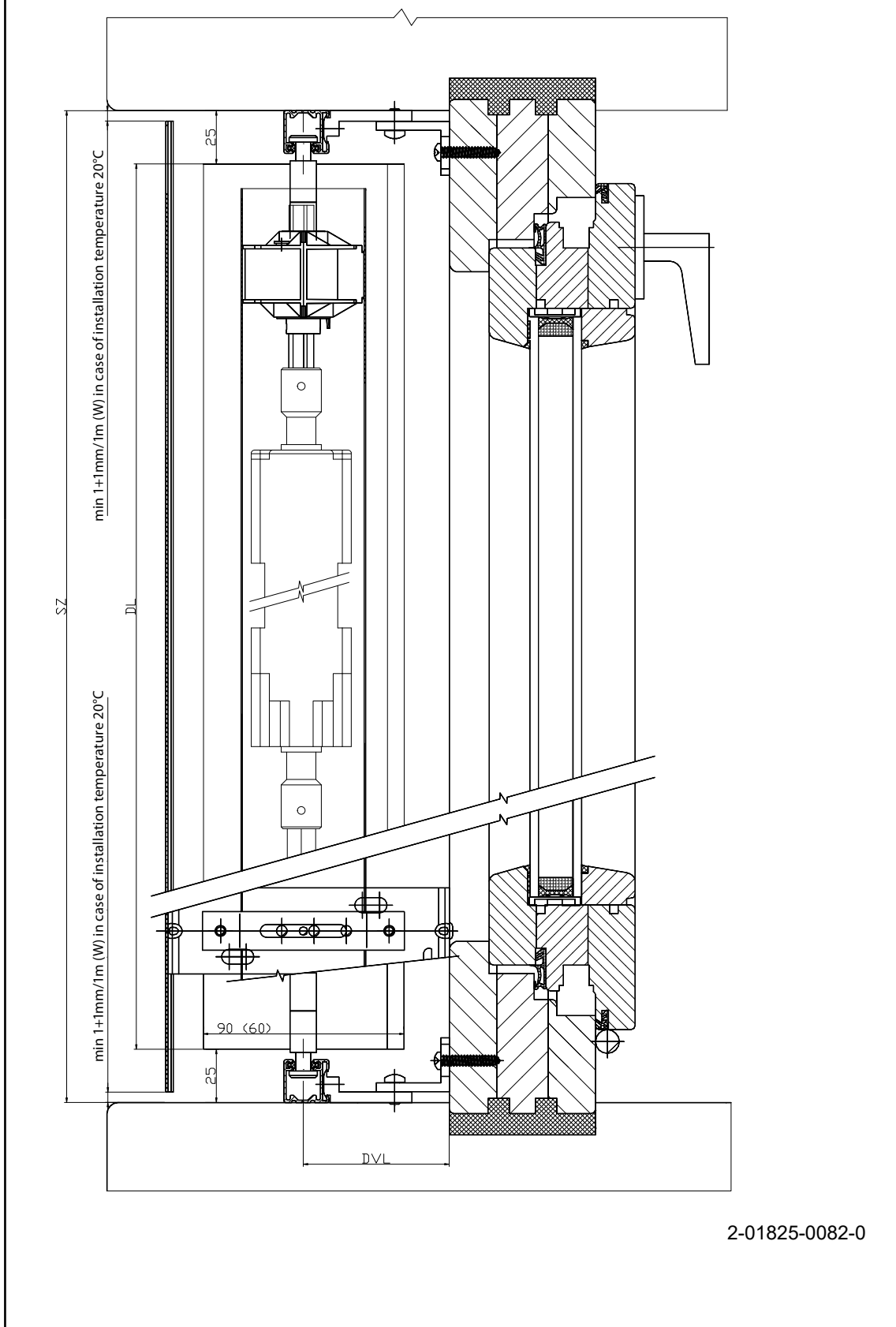


2-01825-0068-0

ZETTA 90/70 EXTERIOR BLIND DIAGRAM

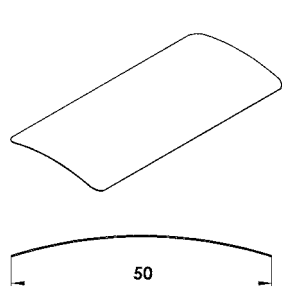
VERTICAL SECTION

MOTOR CONTROL

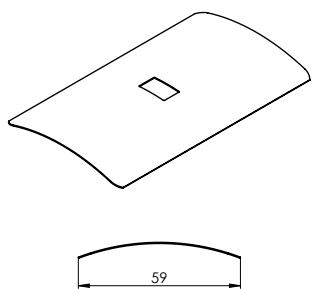


2-01825-0082-0

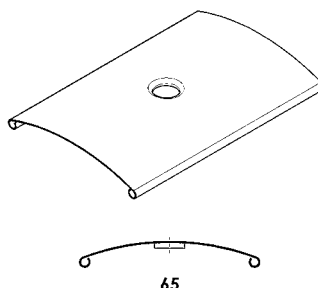
Shapes of exterior blind slats



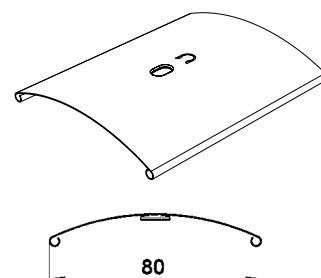
Cetta 50



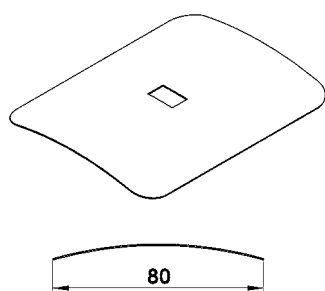
Cetta 60 Flexi



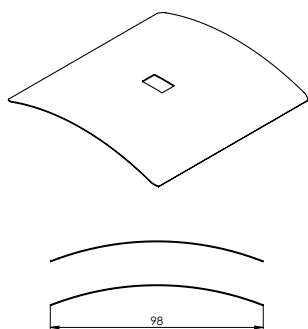
Cetta 65



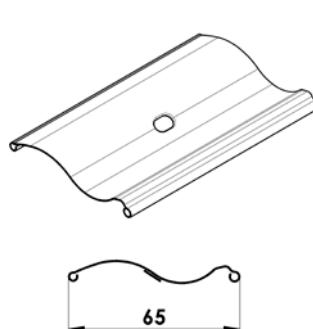
Cetta 80 + Cetta 80 Slim



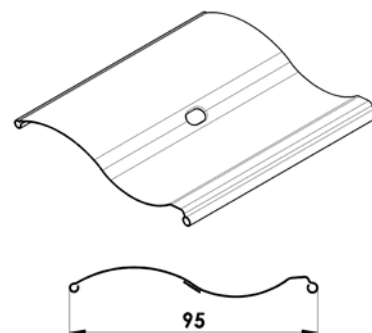
Cetta 80 Flexi



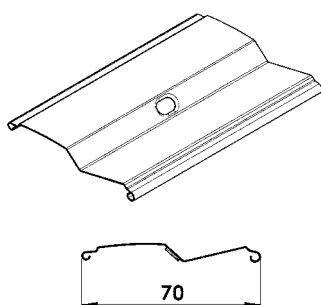
Cetta 100 Flexi



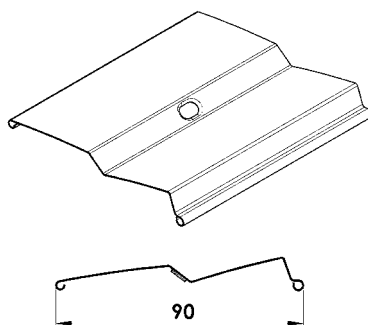
Setta 65



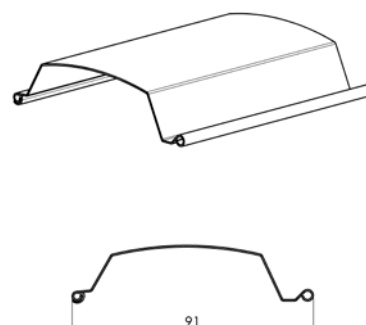
Setta 90



Zetta 70



Zetta 90



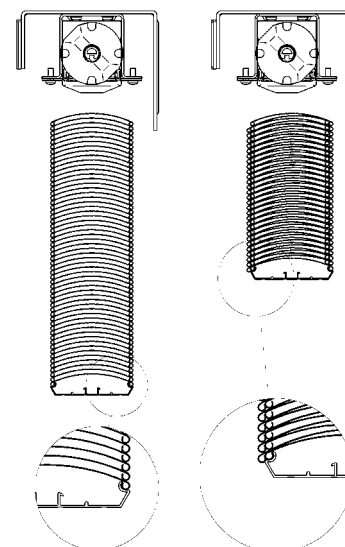
Titan 90

Blind height (mm)	Packet height	
	Cetta 80	Cetta 80-Slim
500	130	125
600	140	130
700	145	135
800	150	145
900	155	150
1000	165	155
1100	170	160
1200	180	165
1300	185	170
1400	190	180
1500	195	180
1600	205	190
1700	210	195
1800	215	195
1900	225	205
2000	230	205
2100	235	215
2200	240	220

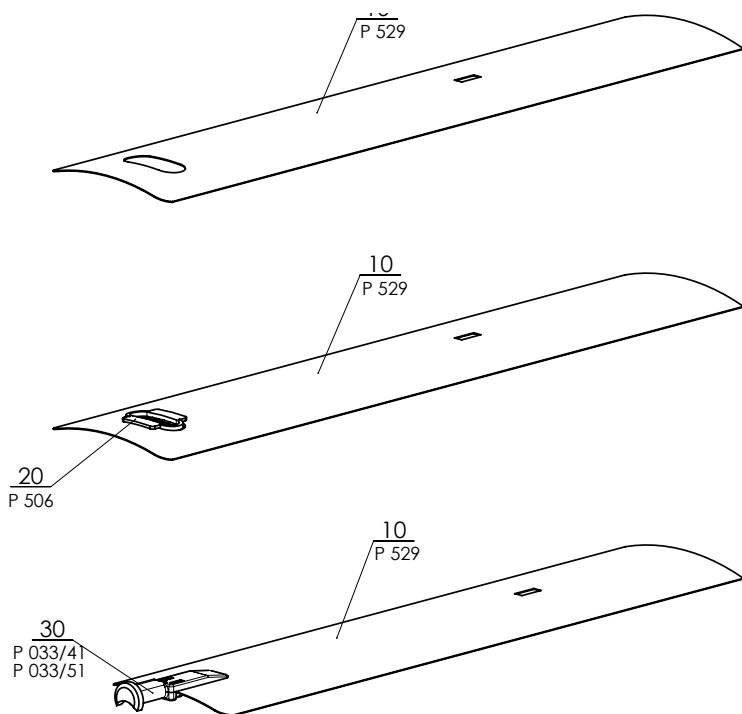
Blind height (mm)	Packet height	
	Cetta 80	Cetta 80-Slim
2300	250	225
2400	255	230
2500	265	235
2600	265	240
2700	275	250
2800	280	255
2900	290	260
3000	295	265
3100	300	270
3200	305	275
3300	315	280
3400	320	285
3500	325	290
3600	335	295
3700	340	300
3800	345	305
3900	350	310
4000	360	320

Cetta 80-Slim

Visible packet saving in comparison with Cetta 80.



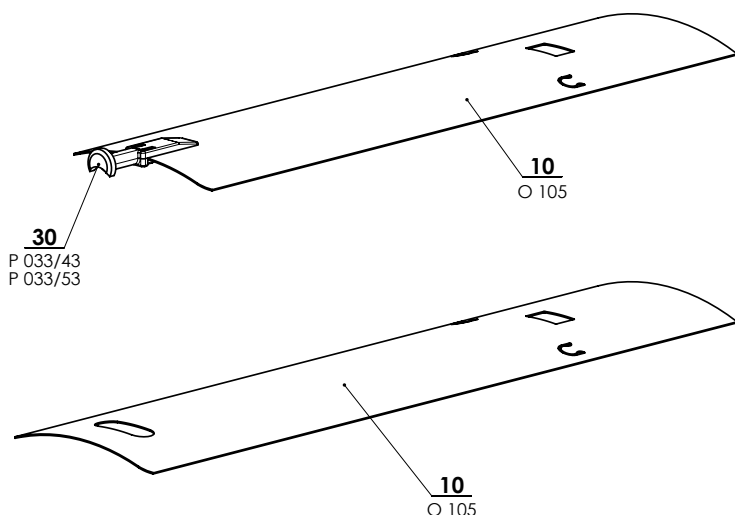
SLAT C50 - SET 2-01072-XXXX-0



Cetta 50

Position	Item name	Business name	Drawing number
10	Al Slat	P 529	2-01072-XXXX-0
20	Slat insert of guide cord	P 506	2-01072-XXXX-0
30	End guidance L+R (plastic)	P 033/41	3-03967-xxxx
30	End guidance L+R (metal)	P 033/51	3-03964-PU19

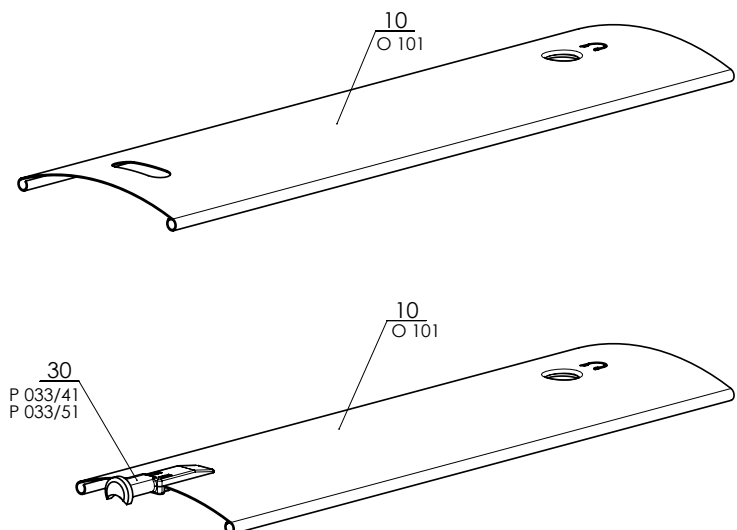
SLAT C60 FLEXI - SET 2-01501-XXXX



Cetta 60 Flexi

Position	Item name	Business name	Drawing number
10	Al Slat	O 105	2-01501-XXXX-0
30	End guidance L+R (plastic)	P 033/43	3-03969-xxxx
30	End guidance L+R (metal)	P 033/53	3-03966-PU19

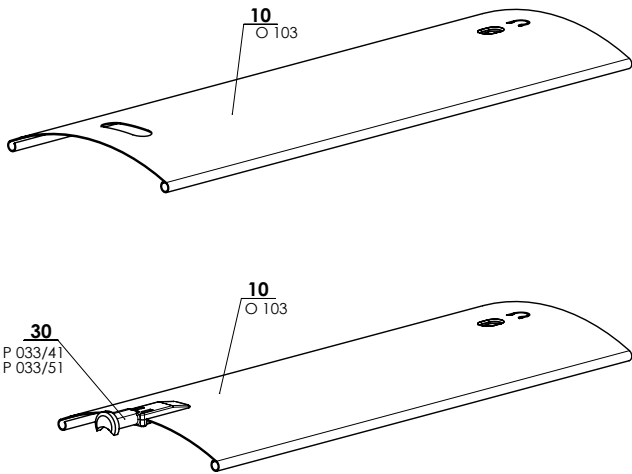
SLAT C65 - SET 2-01071-XXXX-0



Cetta 65

Position	Item name	Business name	Drawing number
10	Al Slat	O 101	2-01071-XXXX-0
30	End guidance L+R (plastic)	P 033/41	3-03967-XXXX
30	End guidance L+R (metal)	P 033/51	3-03964-PU19

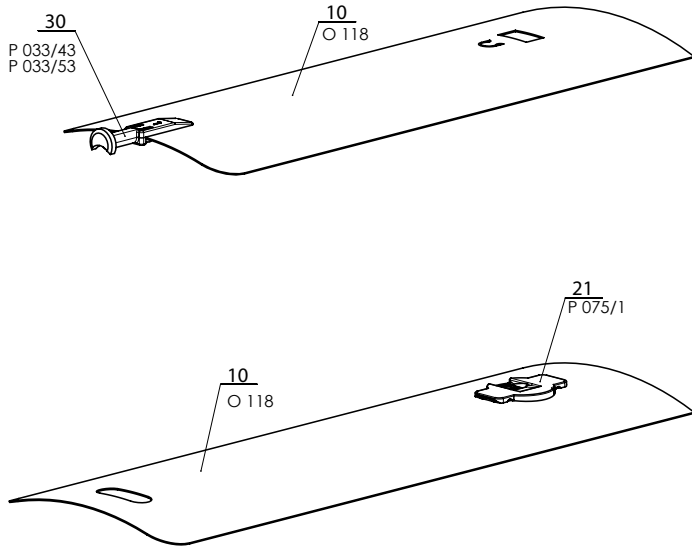
SLAT C80 - SET 2-01056-XXXX-1



Cetta 80

Position	Item name	Business name	Drawing number
10	Al Slat	O 103	2-01056-XXXX-1
21	Plastic insert Slim	P 075/1	2-01056-XXXX-1
30	End guidance for slat "C" L+R (plastic)	P 033/41	3-03967-XXXX
30	End guidance L+R (metal)	P 033/51	3-03964-PU19

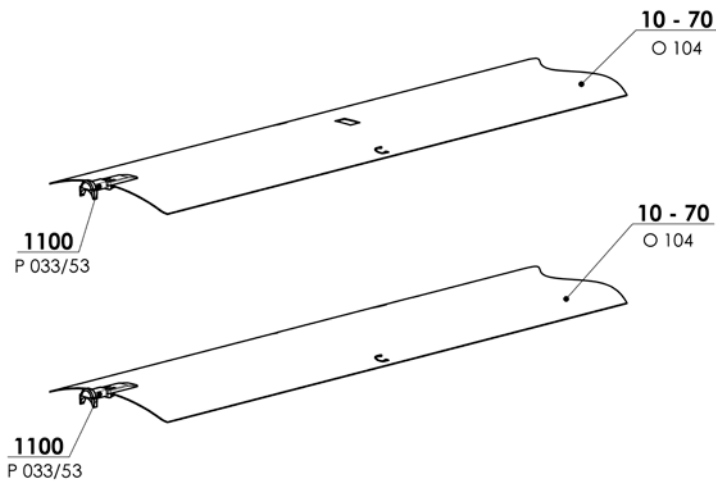
Slat C80 FLEXI - SET 2-01057-XXXX-1



Cetta 80 Flexi

Position	Item name	Business name	Drawing number
10	Al slat	O 118	2-01057-XXXX-1
21	Plastic insert Slim	P 075/1	2-01057-XXXX-1
30	End guidance L+R (plastic)	P 033/43	3-03969-xxxx
30	End guidance L+R (metal)	P 033/53	3-03966-PU19

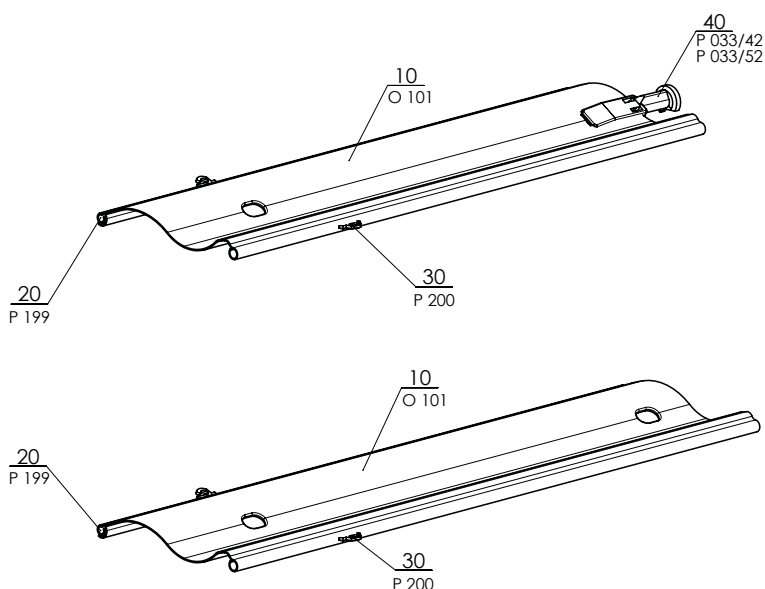
Slat C100 Flexi - SET 2-01502-XXXXX-1



Cetta 100 Flexi

Position	Item name	Business name	Drawing number
10 - 70	Al slat	O 104	2-01502-XXXXX-1
1100	End guidance L+R (metal)	P 033/53	3-03966-PU19

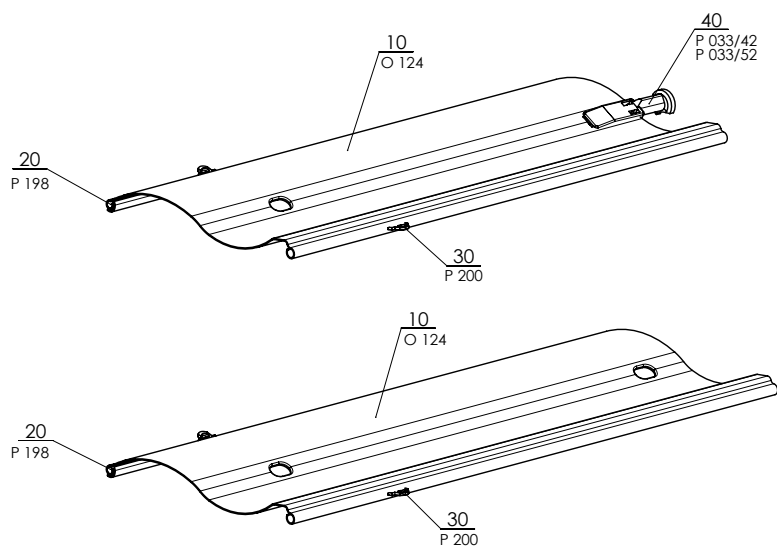
SLAT S65 - SET 2-00687-XXXX-B



Setta 65

Position	Item name	Business name	Drawing number
10	Al slat	O 101	2-00687-XXXX-B
20	Slat rubber	P 199	2-00687-XXXX-B
30	Connecting hook	P 200	2-00687-XXXX-B
40	End guidance for slat L+P (plastic)	P 033/42	3-03968-XXXX
40	End guidance L+R (metal)	P 033/52	3-03965-PU19

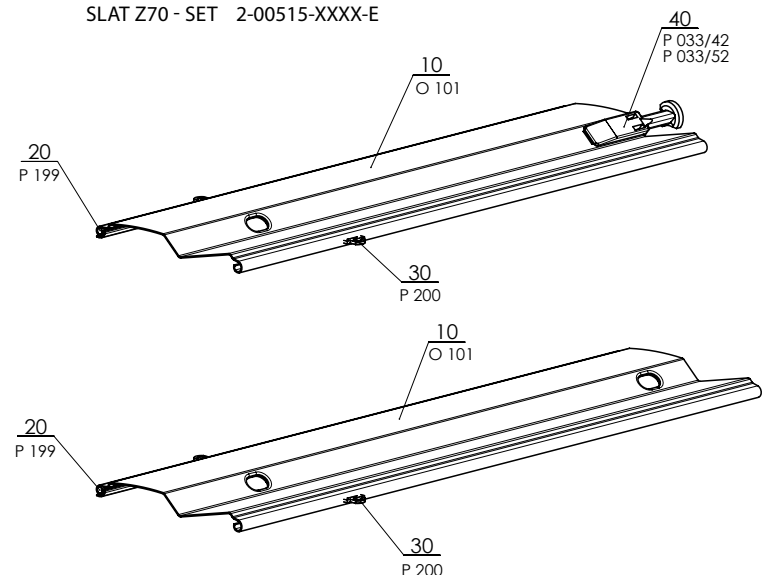
SLAT S90 - SET 2-00686-XXXX-B



Setta 90

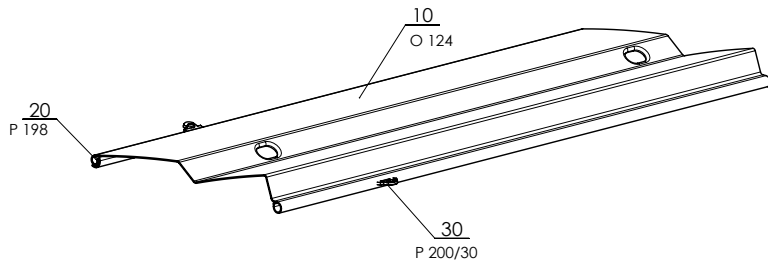
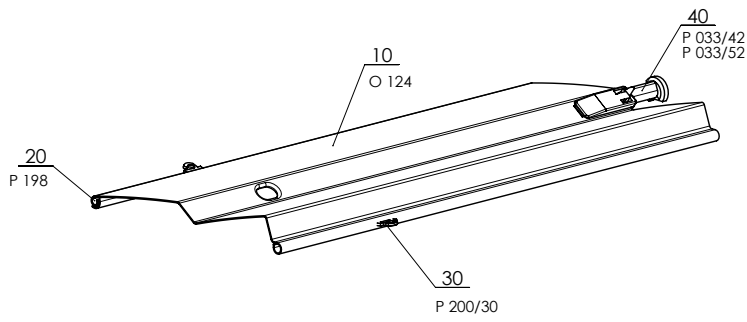
Position	Item name	Business name	Drawing number
10	Al slat	O 124	2-00686-XXXX-B
20	Slat rubber	P 198	2-00686-XXXX-B
30	Connecting hook	P 200	2-00686-XXXX-B
40	End guidance for slat L+P (plastic)	P 033/42	3-03968-XXXX
40	End guidance L+R (metal)	P 033/52	3-03965-PU19

SLAT Z70 - SET 2-00515-XXXX-E



Zetta 70

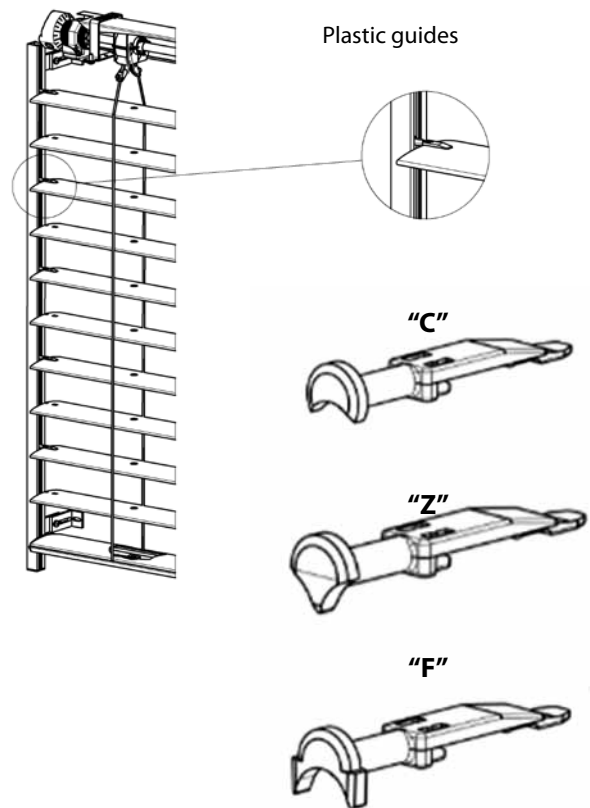
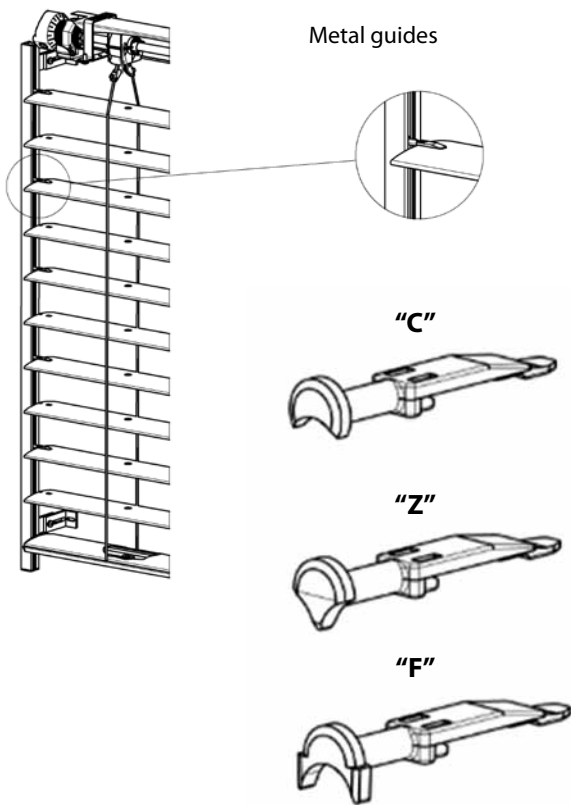
Position	Item name	Business name	Drawing number
10	Al slat	O 101	2-00515-XXXX-E
20	Slat rubber	P 199	2-00515-XXXX-E
30	Connecting hook	P 200	2-00515-XXXX-E
40	End guidance for slat L+P (plastic)	P 033/42	3-03968-XXXX
40	End guidance L+R (metal)	P 033/52	3-03965-PU19



Zetta 90

Position	Item name	Business name	Drawing number
10	Al slat	O 124	2-00514-XXXX-C
20	Slat rubber	P 198	2-00514-XXXX-C
30	Connecting hook	P 200/30	2-00514-XXXX-C
40	End guidance for slat L+P (plastic)	P 033/42	3-03968-XXXX
40	End guidance L+R (metal)	P 033/52	3-03965-PU19

Guide types for Venetian blinds with guidance using guiding channels



Control for Cetta, Setta, Zetta

Handle (2-00339-0000)

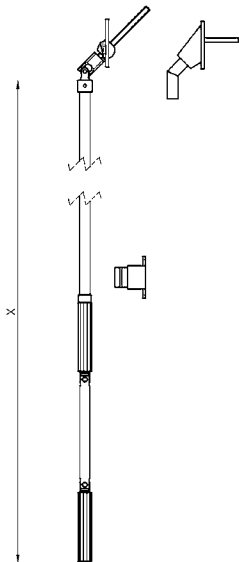
The controls serve for pulling the blind up and down and setting the slat.

The rod control mechanism is to be passed to the interior at an angle of 45° and 90° using a bushing and a hexagonal or square rod.

Rod colour versions: white; anodised

Handle length determination

The minimum length of the crank is 450 mm.

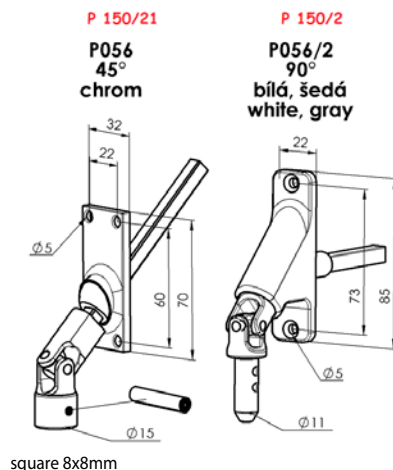


x – control handle length specified

Handle types

Complete handle square 45° P150/21 (32x70)

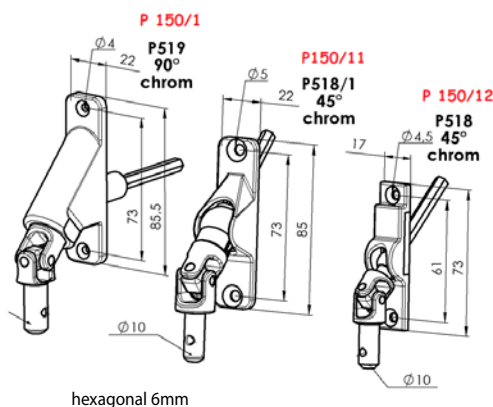
Complete handle square 90° P150/2 (23x85)



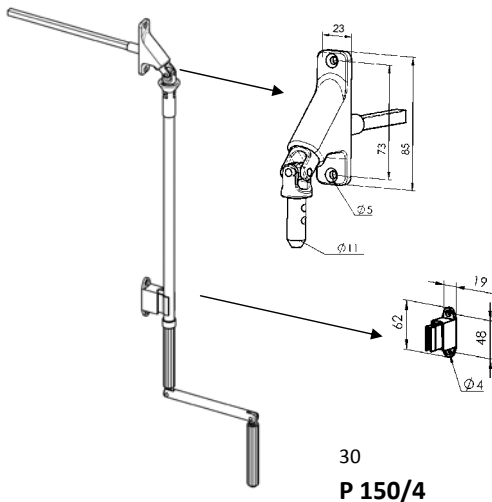
Complete handle hexagonal 90° P150/1 (23x85)

Complete handle hexagonal 45° P150/11 (22x85)

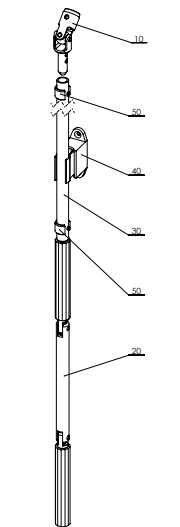
Complete handle hexagonal 45° small P150/12 (17x73)



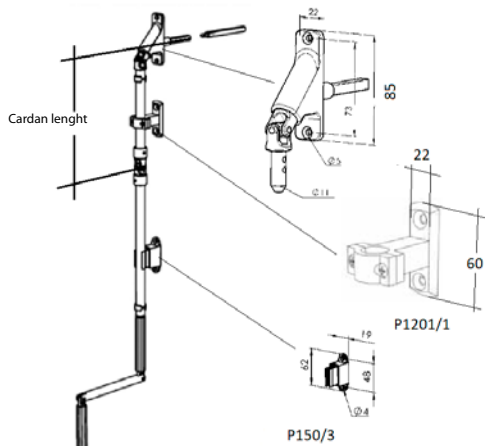
Complete handle removable square 90° P150/4 (27x85)



Handle without bushing P150/8

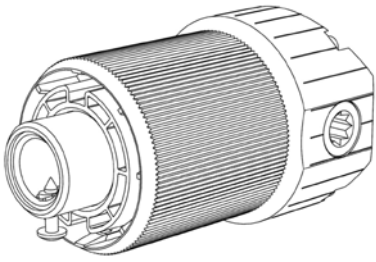


Complete handle with cardan square 90° P150/3 (23x85)

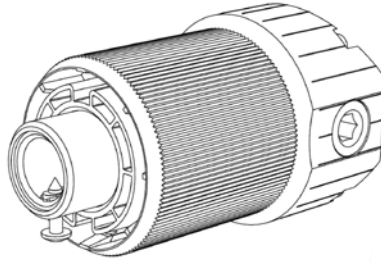


Gearing Type

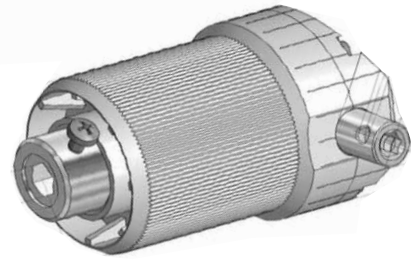
Gearing with square aperture
045/5 (6-013232)



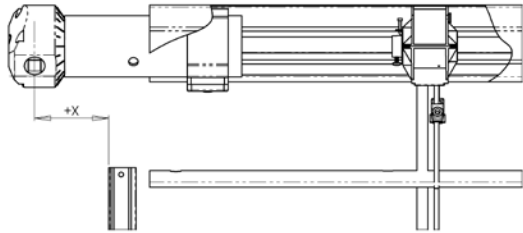
Gearing with hexagonal aperture
P 045/6 (6-013233)



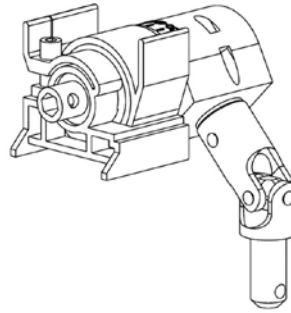
Gearing
P 045/9 (6-010260)



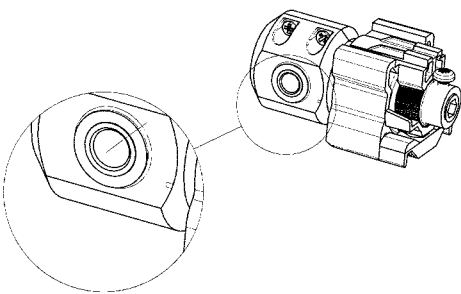
Gearing with hexagonal aperture, extended (STS)
P045/4 (6-008115)



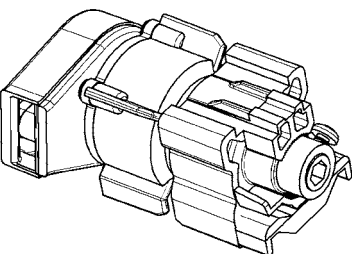
Plastic gearing with hexagonal aperture - interior
(Cetta 35, Cetta 50)
P 517/2 (6-001250-0002)



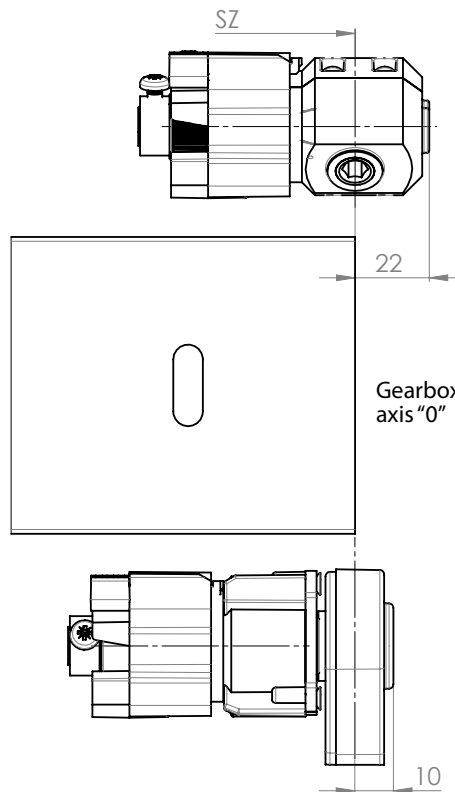
Gearing with hexagonal aperture for handle control
(Cetta 35, Cetta 50)
P228 (2-00132)



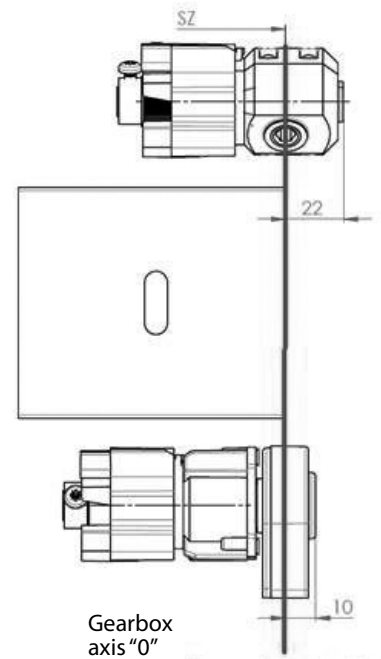
Gearing for cord control
(Cetta 35, Cetta 50)
P227 (2-00133)



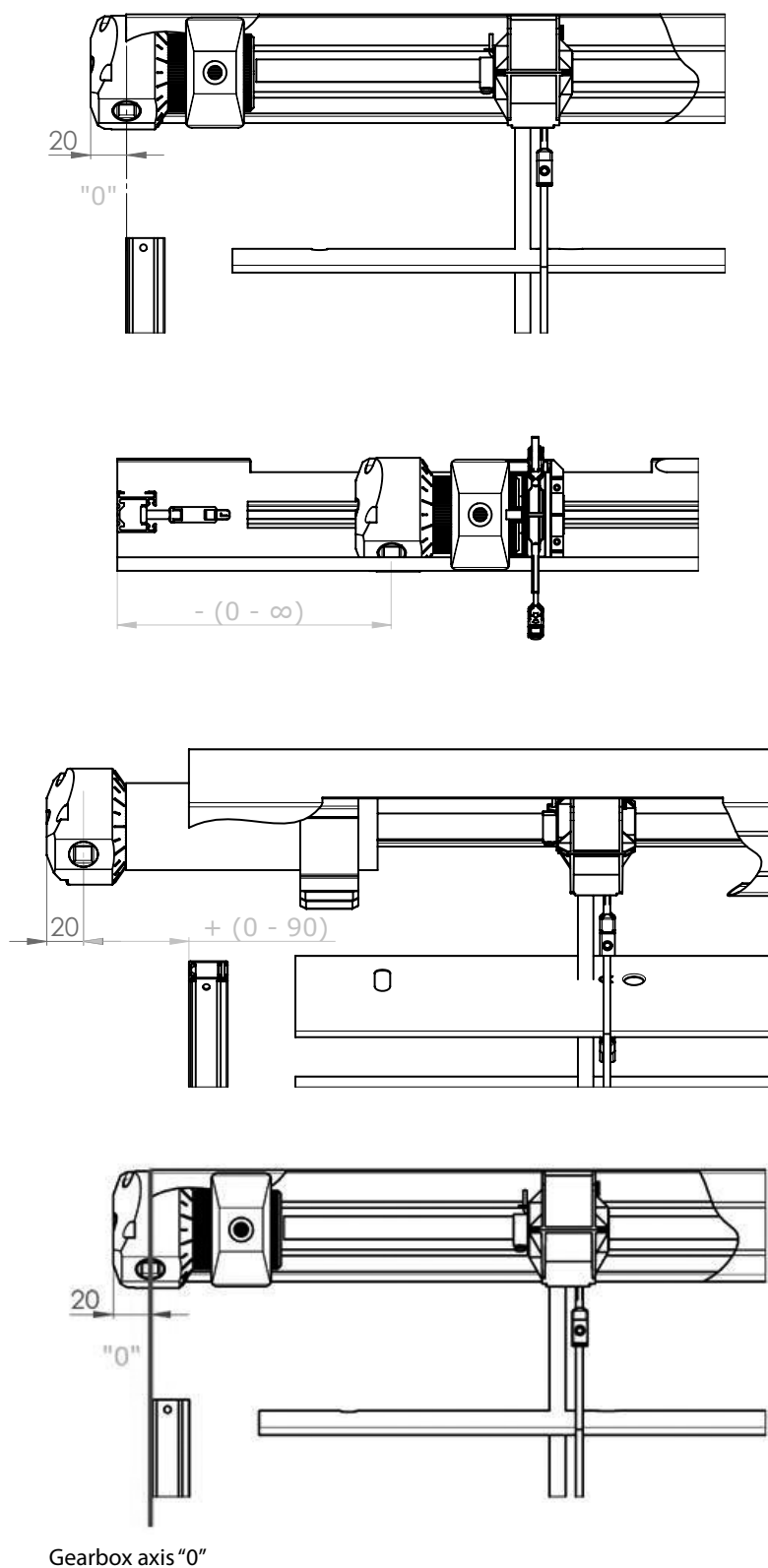
Gearing extension



Gearing extension



Gearing Shift Scheme



The gearing position (possible shift) in the head rail depends on the specific mounting of frame window, reveal. The gearing axis is the distance of the gearing center axis from the outer edge of guiding channel, or outer edge of slat in the case of the steel wire guidance.

Safety Instructions:

- As soon as you reach the end stop, do not try to continue moving the handle.
- Rotate the handle only in the respective direction, evenly, and without applying force.

Motor control

Motor control

Motor controls serve for pulling the blind up and down and setting the slat.

Motor controls allow selecting the control by the sun/wind sensor, remote control, or switch. It is possible to control several blinds at once depending on their dimensions. In this case, the motor is located in one blind in the group.

Types of motors

Item name	Business name - Abbreviation 2	Order number - Abbreviation 1	Cable length
MOTOR Somfy WT 6Nm up to 10m ²	P 073/6J	6-002594-0000	0,5
MOTOR Somfy WT 10 Nm up to 16m ²	P 073/10J	6-002594-0001	0,5
MOTOR Somfy WT PROTECT 10 Nm up to 16m ²	P 073/10JP	6-002594-0010P	0,5
MOTOR Somfy WT 18 Nm up to 20 m ²	P 073/18J	6-002594-0004	0,5
MOTOR Somfy IO PROTECT 6 Nm up to 10 m ²	P 643/676	6-016065-0676	0,5
MOTOR Somfy IO PROTECT 10 Nm up to 16 m ²	P 643/677	6-016065-0677	0,5
MOTOR Somfy IO PROTECT 18 Nm up to 20 m ²	P 643/681	6-016065-0681	0,5
MOTOR Geiger 3 Nm up to 7 m ²	P 093/1	6-006880-0000	0,9
MOTOR Geiger 6 Nm up to 13 m ²	P 093/2	6-006880-0001	0,9
MOTOR Geiger 10 Nm up to 21 m ²	P 093/3	6-006880-0002	0,9
MOTOR Geiger 20 Nm up to 28 m ²	P 093/6	6-006880-0006	0,9
Motor cable Geiger; l= 900mm	P 094	6-006880-0003	0,9
MOTOR Elero AKKU NOTRAFF 4 Nm up to 8 m ² (12V)	P 096softDC/04	6-015554-0000	0,9
MOTOR Geiger AIR 6 Nm up to 7 m ²	PR0879/6	6-014807-0006	0,9
MOTOR Geiger AIR 10 Nm up to 13 m ²	PR0879/10	6-014807-0010	0,9
MOTOR Geiger AIR 20 Nm up to 21 m ²	PR0879/20	6-014807-0020	0,9
Motor cable Geiger AIR with LOXON chip	P094/2	6-014819-0000	0,9
MOTOR Elero 6 Nm up to 10 m ²	P096soft/06	6-008179-0006	
MOTOR Elero 9 Nm up to 16 m ²	P096soft/09	6-008179-0009	
MOTOR Elero AKKU NOTRAFF 10 Nm up to 16 m ² (12V)	P 096softDC/10	6-015554-0010	

ELERO AKKU NOTRAFF up to 8m² - SET

Item name	Business name - Abbreviation 2	Order number - Abbreviation 1
MOTOR Elero AKKU NOTRAFF 4 Nm up to 8 m ² (12V)	P 096softDC/04	6-015554-0000
motor mount 56x58mm		6-012081-0000
Adapter		6-001624-0002
Quickconnect, IP65	X.3952701	6-015557-0000
Exit Safe	6-016465-0000	6-002593-0006

ELERO AKKU NOTRAFF up to 16m² - SET

Item name	Business name - Abbreviation 2	Order number - Abbreviation 1
MOTOR Elero AKKU NOTRAFF 10 Nm up to 16 m ² (12V)	P 096softDC/10	6-015554-0010
motor mount 56x58mm		6-012081-0000
Adapter		6-001624-0002
Quickconnect, IP65	X.3952701	6-015557-0000
escaperoute model up to 10A		6-017114-0000

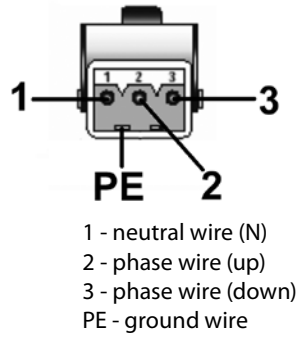
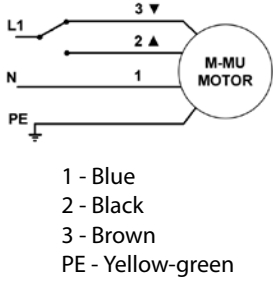
Motors ISOTRA BASIC + accessories

Item name	Business name - Abbreviation 2	Order number - Abbreviation 1
Motor ISOTRA BASIC AM55 6 Nm/35*		6-017847-0006
Motor ISOTRA BASIC AM55/35*		6-017847-0010
Receiver ISOTRA BASIC Hirschmann plug		6-017848-0000
Remote control ISOTRA BASIC, 1-channel AC127-01, white		6-017850-0001
Remote control ISOTRA BASIC, 6-channel AC127-06, white		6-017850-0006
Mounting cable ISOTRA BASIC		6-017849-0000
Remote control ISOTRA BASIC, 1-channel handle USB AC127L-01, white		6-017916-910
Remote control ISOTRA BASIC, 6-channel handle USB AC127L-06, white		6-017917-9010
Solar wind sensor - ISOTRA BASIC		6-018212-0000

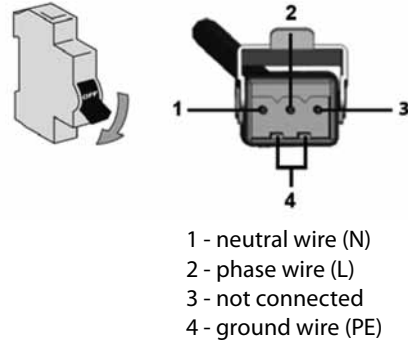
*When ordering a separate ISOTRA BASIC AM55 6Nm or 10Nm motor, the ISOTRA BASIC Hirschmann plug radio receiver and all the motor components will be delivered together with the motor.

Motor control

Motor Wiring Diagram



RTS Motor Wiring Diagram



Parameter	Motor Somfy	Motor Geiger
Torque	6 - 18 Nm	3 - 20 Nm
Power Input	90 - 210 W	90 - 190 W
Current Consumption	0,41 - 0,7 A	0,4 - 0,85 A
Nominal Voltage	230 V / 50 Hz	230 V / 50 Hz
RPM	24 rpm	26 rpm
End Switch Capacity	73	80
Motor Protection Class	IP54	IP54
Maximum Operation Time	approx. 6 min.	approx. 6 min.
Weight	1,35 - 2,41 kg	-

Important Instructions:

- The electric equipment can be assembled only by qualified persons.
- Never connect more than one motor to one switch. One switch can control more drives only in the case of group control.

Note: See the manuals of Somfy, Geiger and Elero companies for detailed wiring diagrams.

Recommended Torque for Motor Controlled Blinds (Nm)

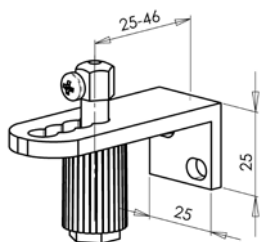
Blind Width (mm) \ Blind height (mm)	Blind Width (mm)									
	400	1800	2400	3000	3600	4200	4800	5400	6600	7200
1000	3	3	3	3	3	3	3	3	3	3
2000	3	3	3	3	6	6	6	6	6	10
3000	3	3	6	6	6	6	10	10	10	20
4000	3	6	6	10	10	10	10	20	20	20

As a standard, the motor cable is equipped with the STA S3 male terminal.
The supply cable for the blind is equipped with the STAK 3 female terminal.
The STAK 4 female terminal is used for the SMI and KNX motors.

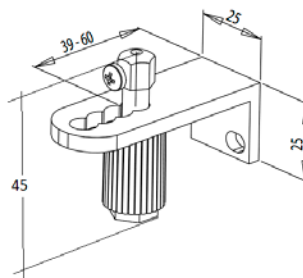
Guidance – Wire

Guide types for wire-guided blinds
(Cetta 35, Cetta 50, Cetta 65, Cetta 80, Cetta 80-Flexi)

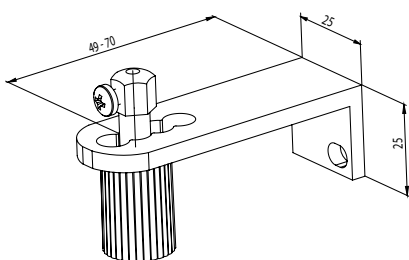
Corner wire guide, 25 - 46 mm P031/6 (2-00822)



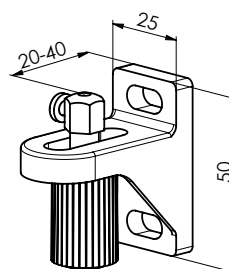
Corner wire guide, 39 - 60 mm P 031 (2-00195)



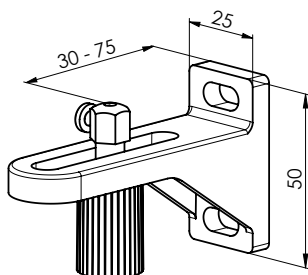
Corner wire guide, 49 - 70 mm P 031/1 (2-00137)



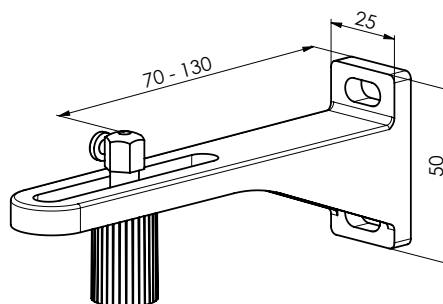
Single cable guide, 20 - 40 mm P032/1 (2-01649)



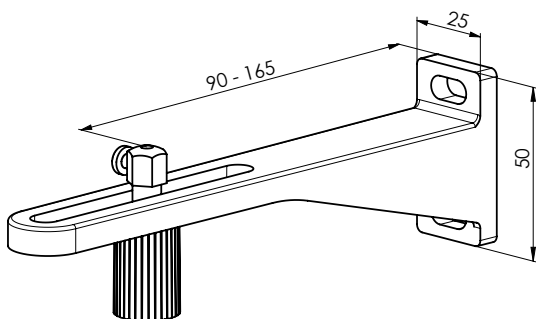
Single cable guide, 30 - 75 mm P032/2 (2-01648)



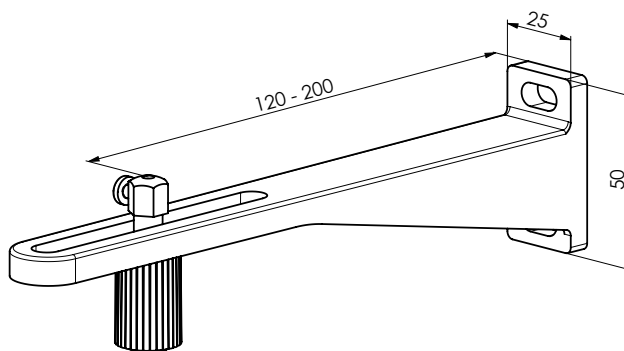
Single cable guide, 70 - 130 mm P032/3 (2-01647)



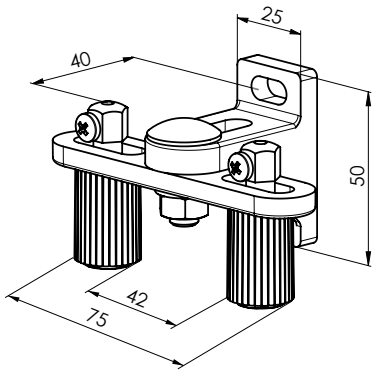
Single cable guide, 90 - 165 mm P032/4 (2-01646)



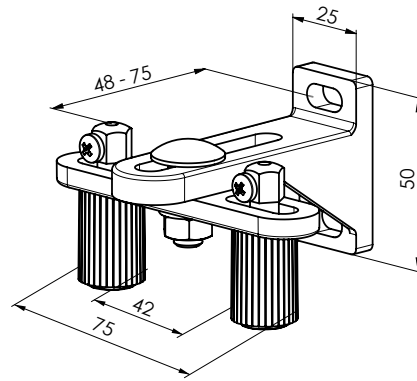
Single cable guide, 120 - 200 mm P032/5 (2-01645)



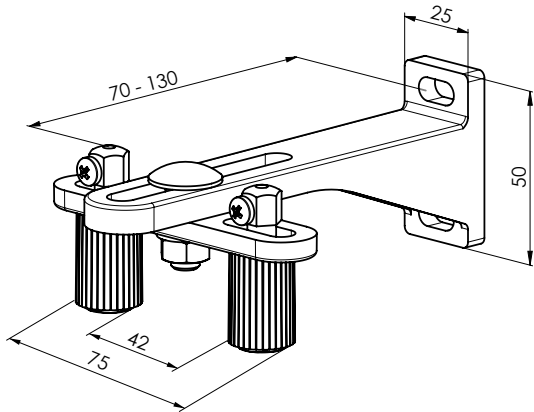
Double cable guide, 40 mm P032/6 (2-01654)



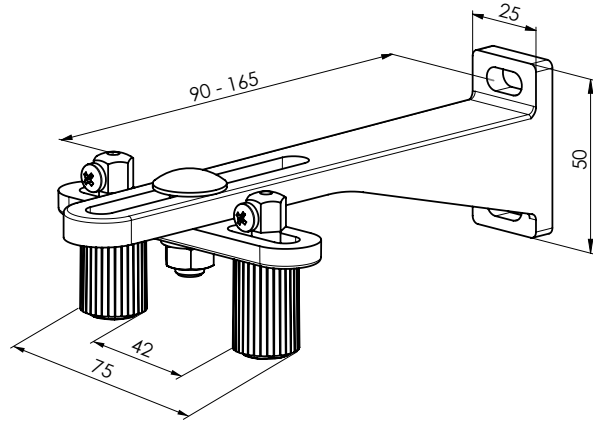
Double cable guide, 48 - 75 mm P032/7 (2-01653)



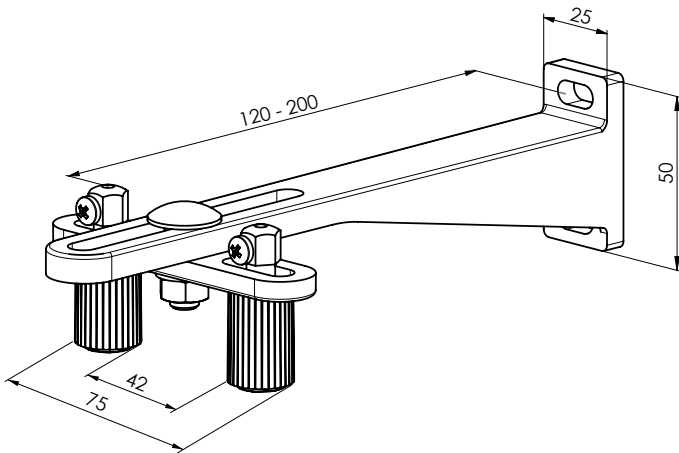
Double cable guide, 70 - 130 mm P032/8 (2-01652)



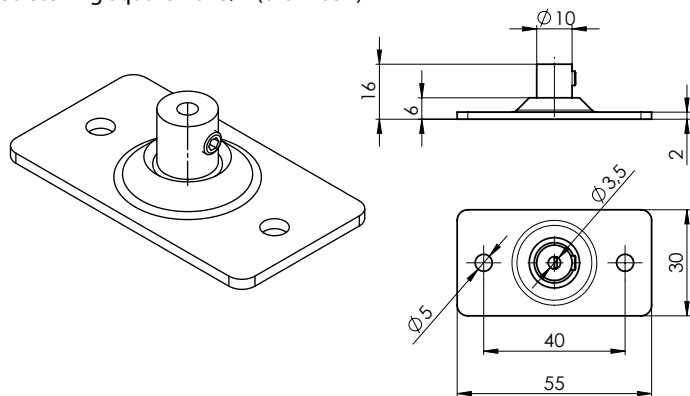
Double cable guide, 90 - 165 mm P032/9 (2-01651)



Double cable guide, 120 - 200 mm P032/10 (2-01650)

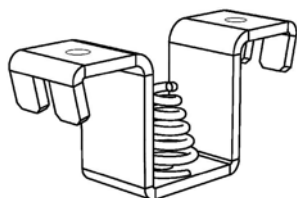


Stretching square P043/1 (6-011032)



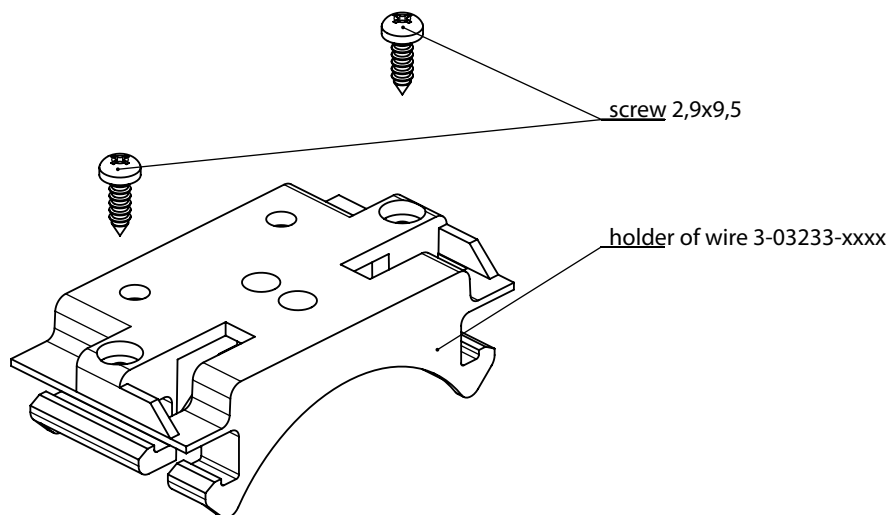
Type of wire guide	Distance between wire and window frame (mm)
Corner wire guide P031/6	25-46
Corner wire guide P031	39-60
Corner wire guide P031/1	49-70
Single cable guide P032/1	20-40
Single cable guide P032/2	30-75
Single cable guide P032/3	70-130
Single cable guide P032/4	90-165
Single cable guide P032/5	120-200
Double cable guide P032/6	40
Double cable guide P032/7	48-75
Double cable guide P032/8	70-130
Double cable guide P032/9	90-165
Double cable guide P032/10	120-200
Corner wire guide P031/5	63

Bracket for wire AF 81 P 044 (6-011063)



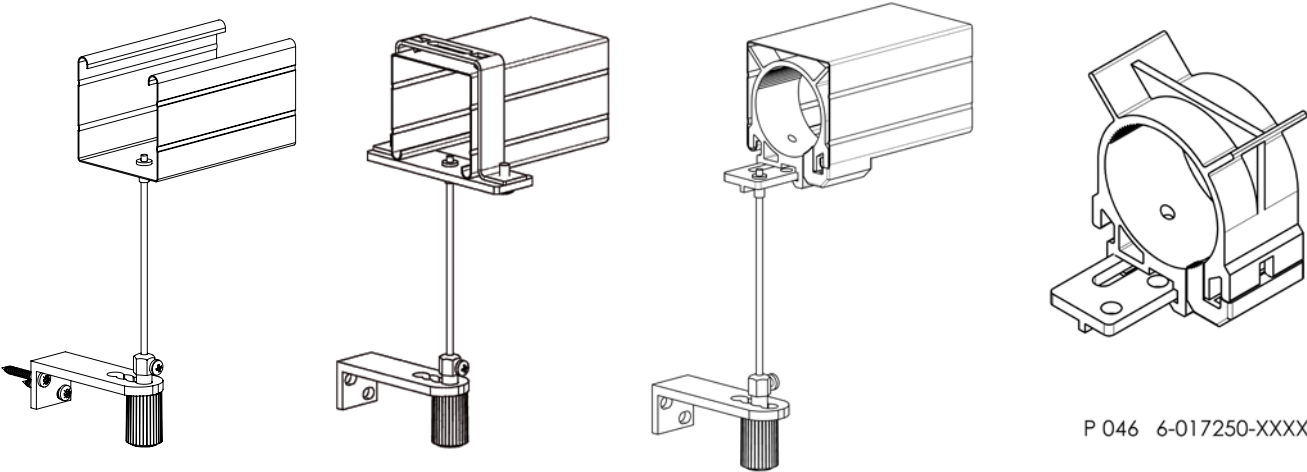
Used combined with P 043/1 Tension Angle. Eliminates expansion (summer/winter).

Bracket for wire (2-01515-xxxx-0)



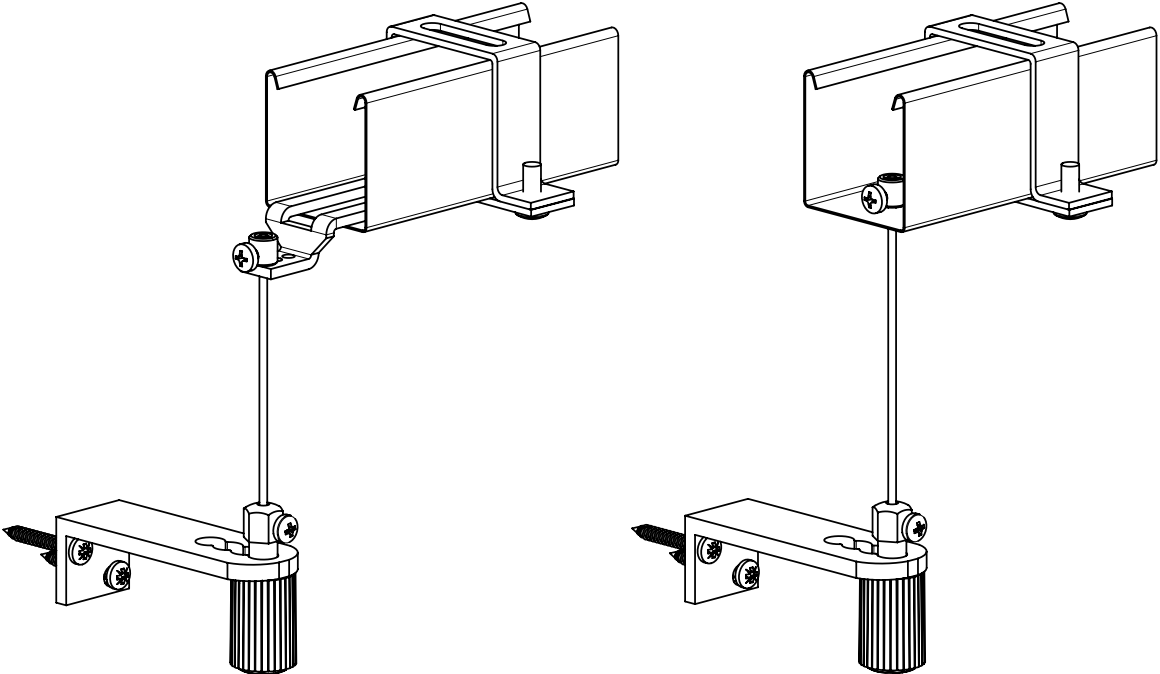
Wire guide - attachment methods

Channel 56 x 58

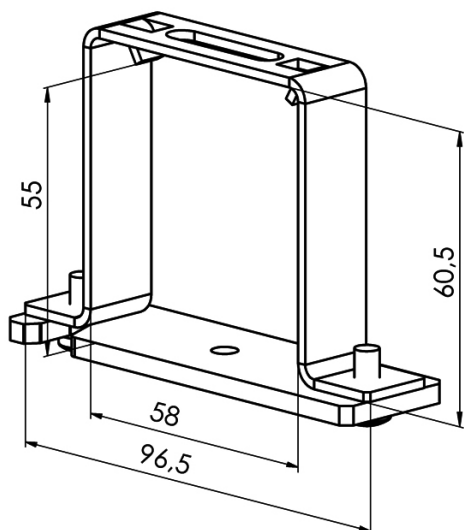


P 046 6-017250-XXXX-0

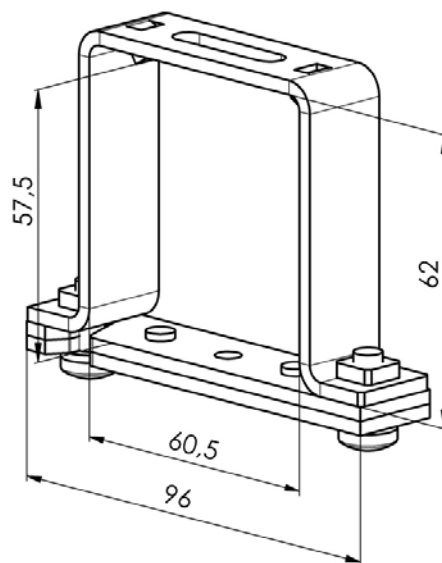
Channel 40x40



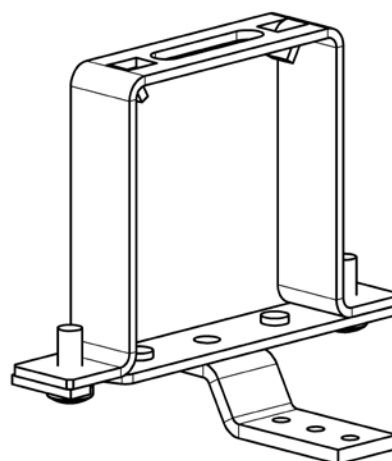
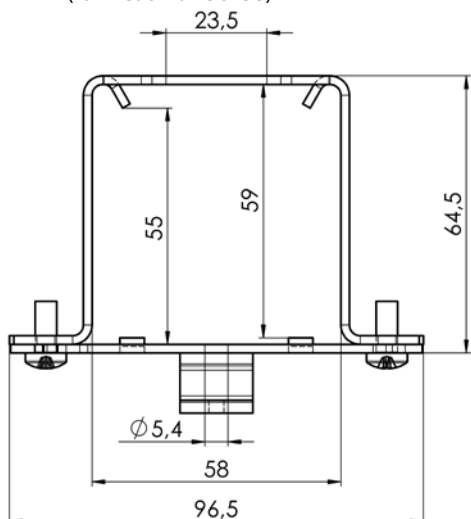
Wireholder Fe P002/7 (2-01128)
(for head rail 56x58)



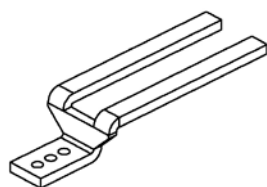
Wireholder Al P002/8 (2-01294)
(for head rail 58x60)



Head rail section hanger Fe for cord guide (2-00685)
(for Head Rail 56x58)



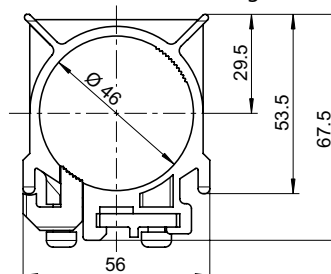
Guide P534/1 (7-301796)
for negative (-) axis (-10 ≥ -32)



Clamping screw P507 (6-001229)
for wire P 501 (2,2 mm) (C50)

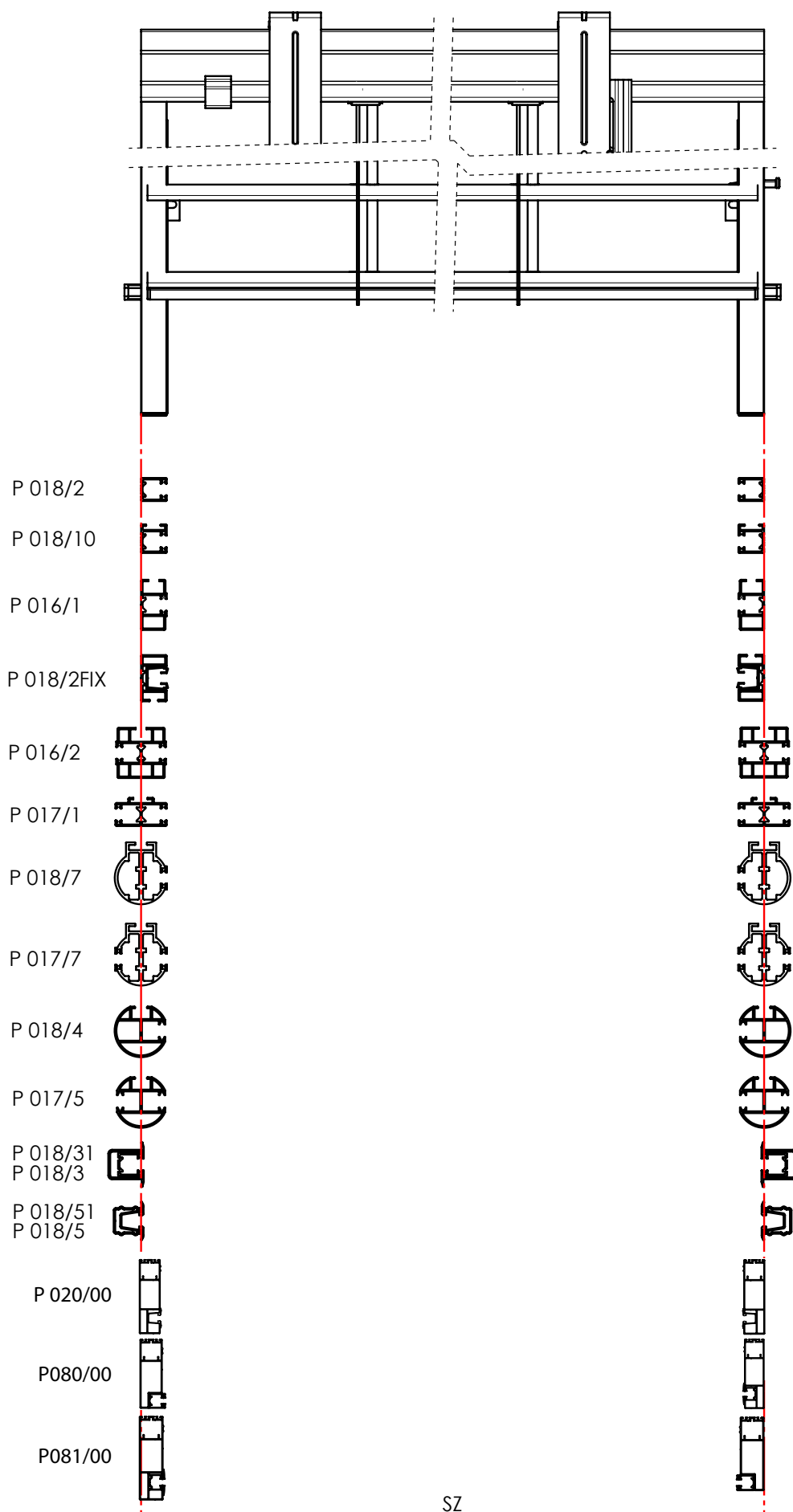


GEIGER plastic gear
holder with cord binding (6-017250)

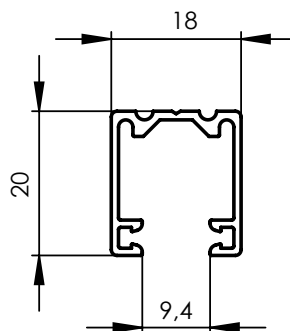


Guidance - Guiding Channel

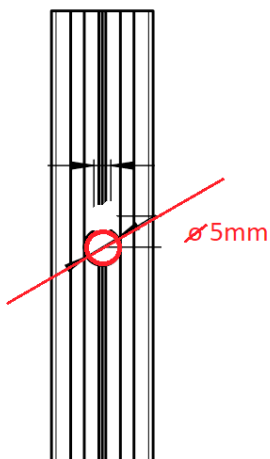
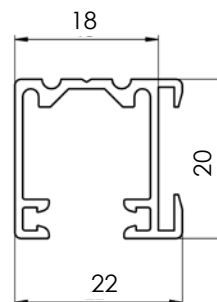
Guiding channels applies to: Cetta 50, Cetta 60 Flexi, Cetta 65, Cetta 80, Cetta 80-Flexi, Cetta 80-Slim, Zetta 70, Zetta 90, Setta 65, Setta 90



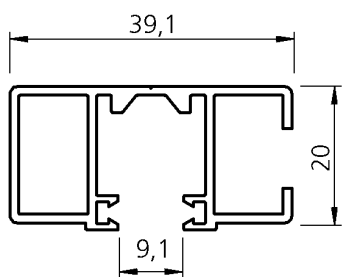
Single Guiding Channel P 018/2 (7-302122)
for installation in lining (without use of ejector)



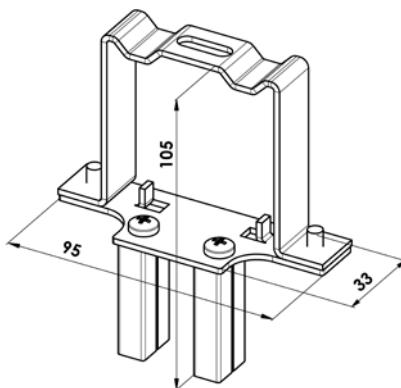
Single Guiding Channel P 018/10 (7-302363)
For installation on the frame using a guide rail holder.



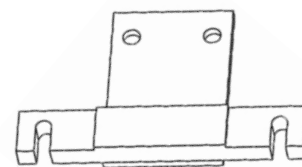
Self-Supporting Guiding Channel P 016/1 (7-302121)



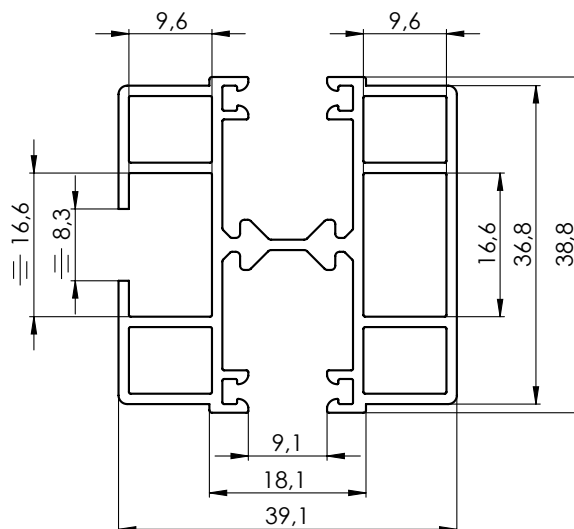
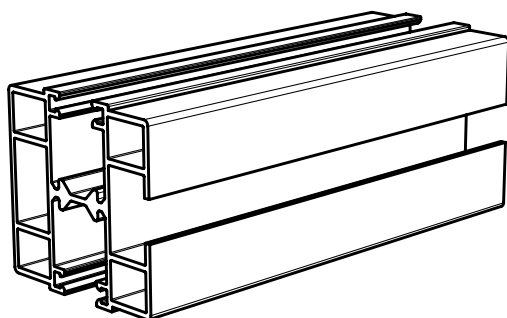
Head rail section hanger with holder P 002/42 for guide channel P 016/1



Shutter P 002/41 (2-00588) for guide channel P 016/1 and P 016/2



Duble Guiding Channel STS P 016/2 (7-303530)



Technical Specification

Slats

Control

Guidance

Blinds Holders

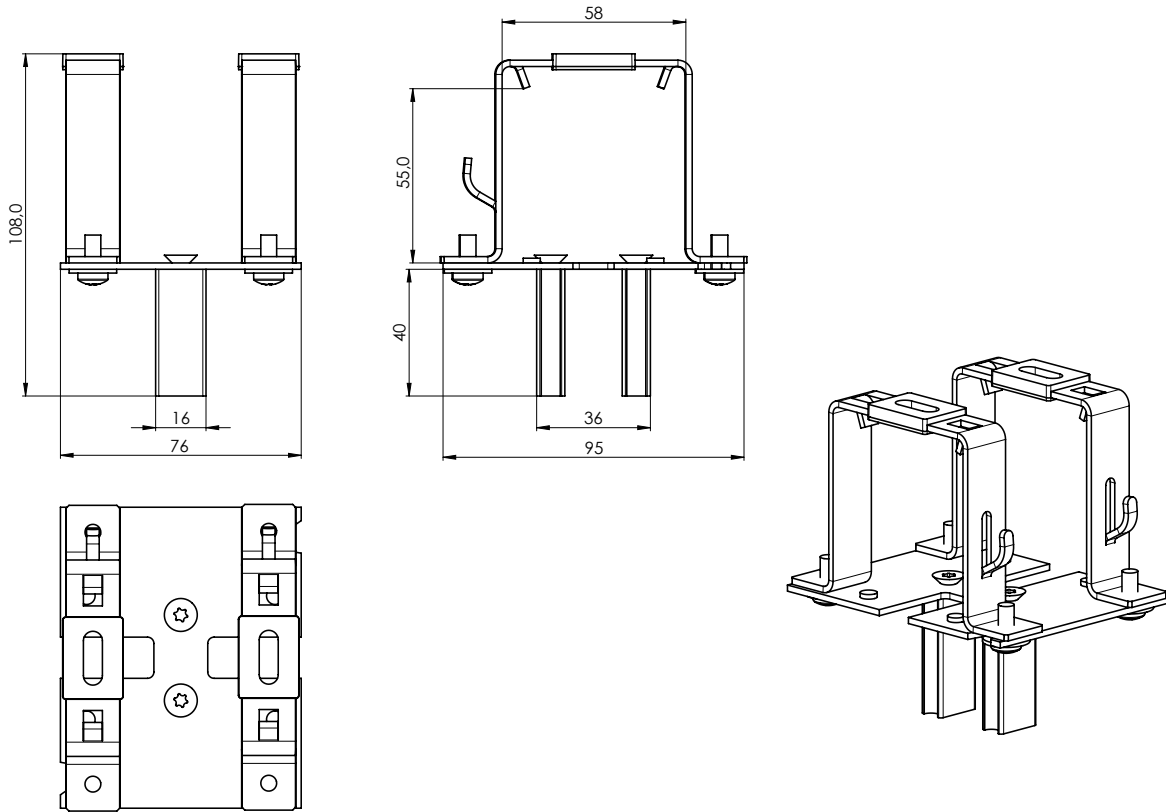
Front Covers

Measurement and Assembly

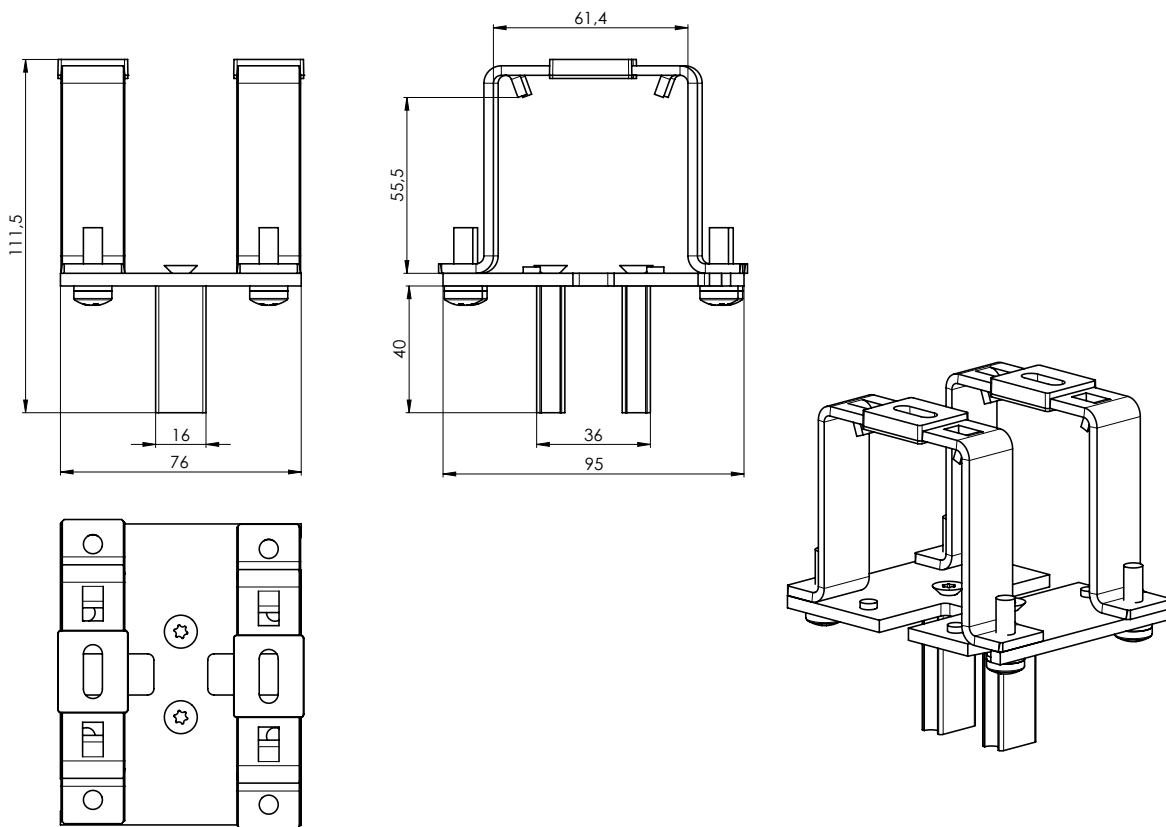
Alternative Designs

Special Designs

Head rail sectin hanger with holder (Fe) P 002/14 (2-01684) for STS
Double Guiding Channel P 016/2

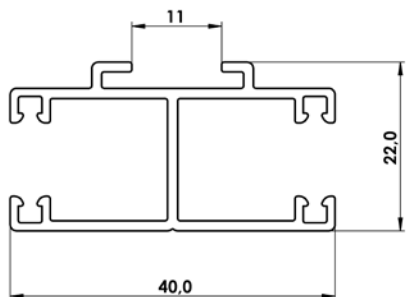


Head rail sectin hanger with holder (Al) P 002/9 (2-01628) for STS Double Guiding Channel P 016/2

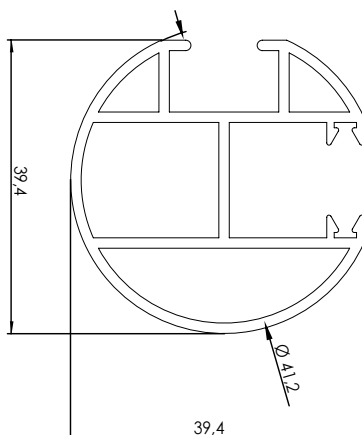


**Double Guiding Channel
P 017/1 (7-302123)**

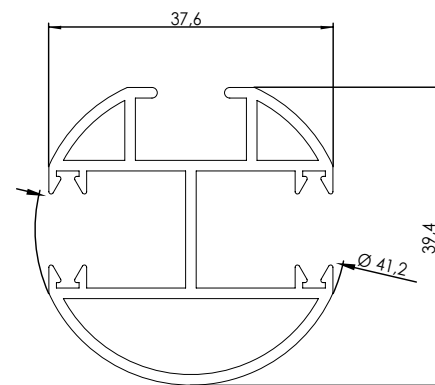
for installation on frame
and facade (with use of ejector)



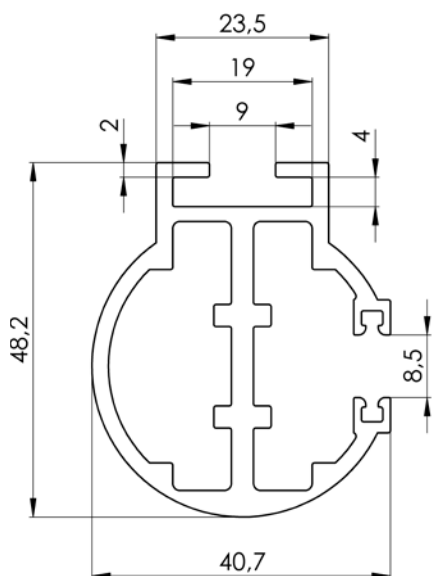
**Single-Sided Round Channel
P 018/4 (6-010533)**



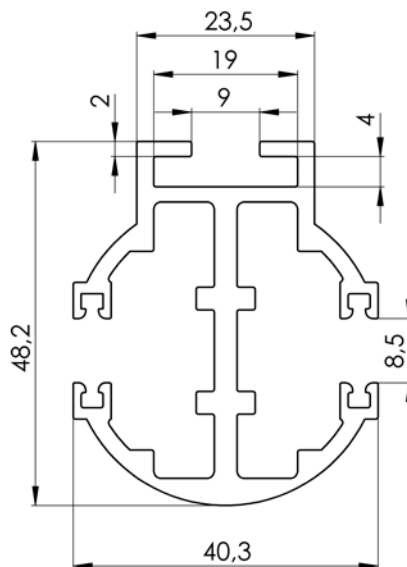
**Double-Sided Round Guiding Channel
P 017/5 (6-010532)**



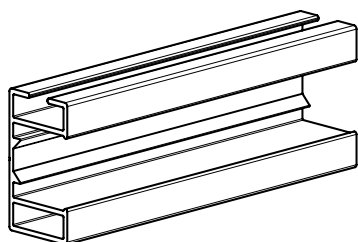
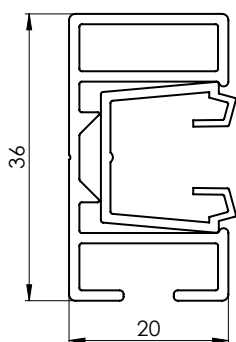
Single-Sided Round Channel P 018/7 (7-302154)



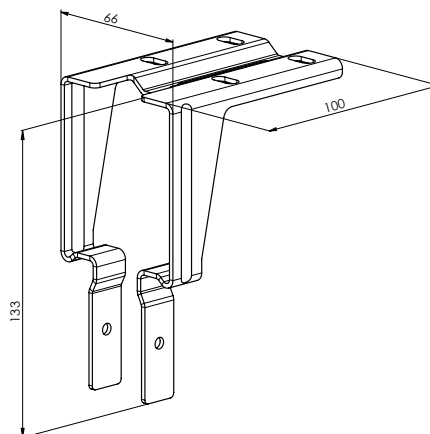
Double-Sided Round Guiding Channel P 017/7 (7-302155)



Guiding Channel FIX (P018/2 FIX)

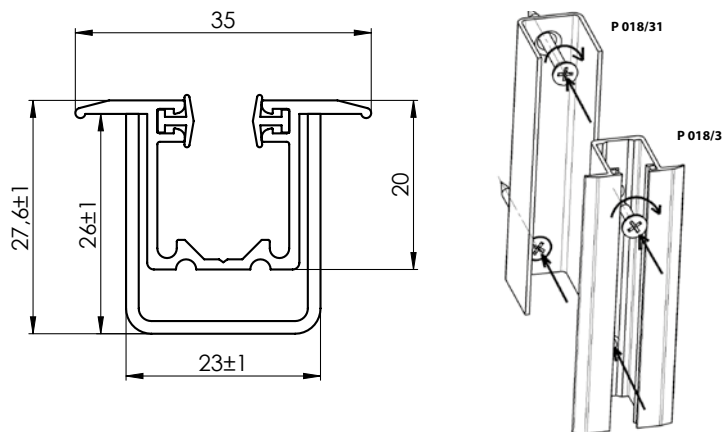


Head rail hanger Fe STS FIX

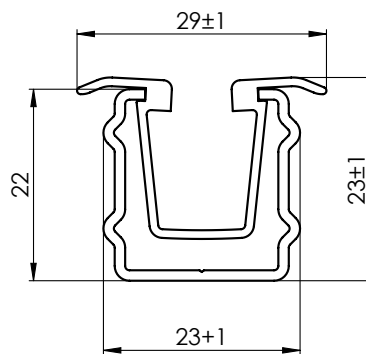


We also recommend ordering small pliers (6-018552-0000) to pull out the PVC strip.

Under-plaster case P018/31 (3-01419-0000) with guide rail P 018/3X (7-302234-PU52)



Under-plaster case P 018/51 (7-30781, Al) with guide rail P 018/5 (7-301782, PVC)

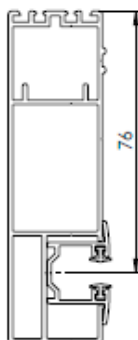
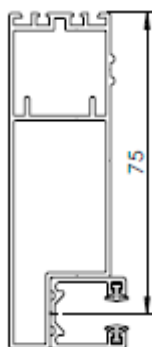
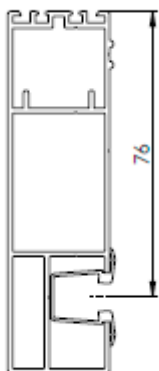


Guiding channel under plastering is cut in 2 parts (300 mm from the top edge of the guiding channel) and is joined by the side guide channel insertion (kedr) due to its fitting on the blind pin and the correct guiding into the guide rail housing. The side guide channel insertion (kedr) is the entire height of the guide rail.

P 020/00vrO
P 020/00vrR

P 080/00vrO
P 080/00vrR

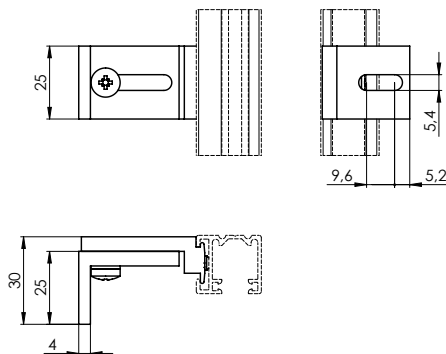
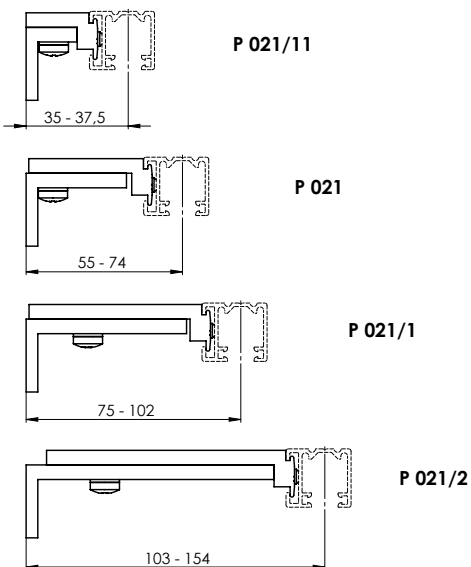
P 081/00vrO
P 081/00vrR



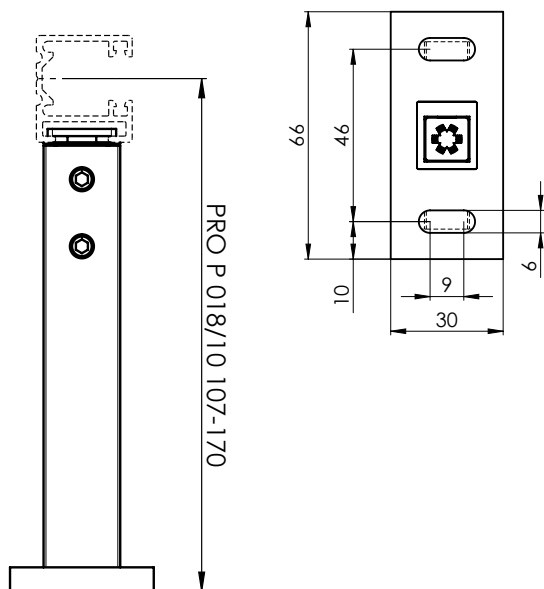
Expanding profiles– see VIVA Self-Supporting Blind

Guiding Channel Holders

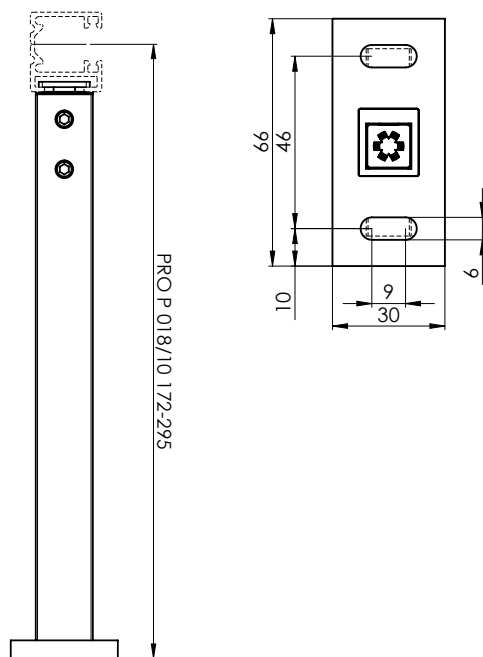
For guiding channel P 017/1, P 018/10



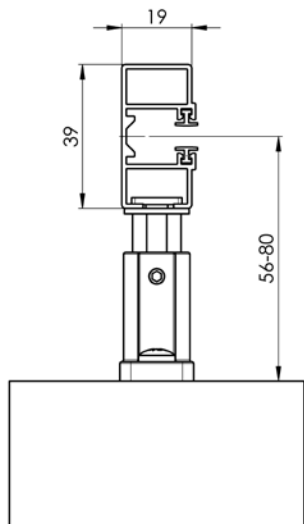
Telescopic guiding channel holder, P021/3 (2-00401) for guiding channel P 017/1, P 017/5, P 018/10, P 018/4



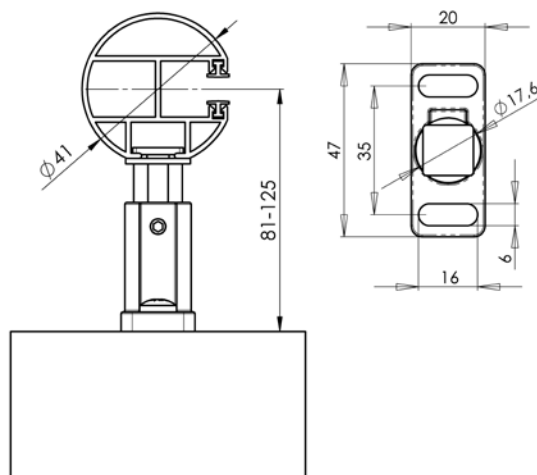
Telescopic guiding channel holder, P021/4 (2-00402) for guiding channel P 017/1, P 017/5, P 018/10, P 018/4

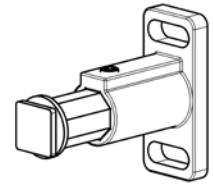
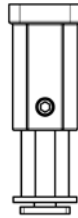
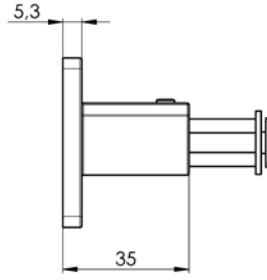
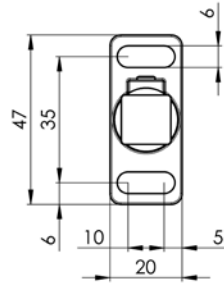
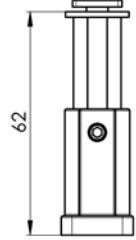
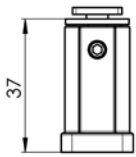


Telescopic guiding channel holder STS, P021/5 (2-00582) for guiding channel P 016/1, P 017/1, P 017/5, P 018/10, P 018/4



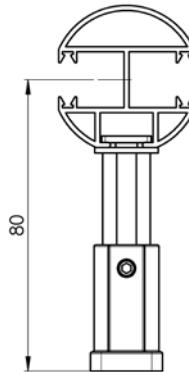
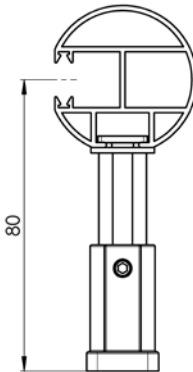
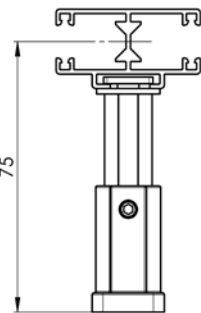
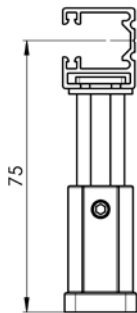
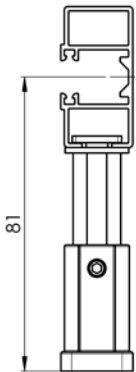
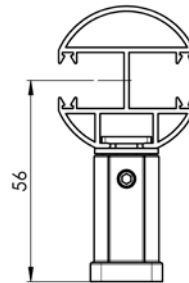
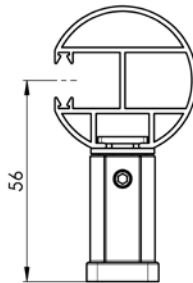
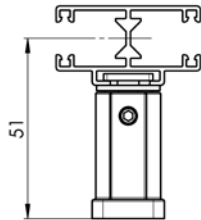
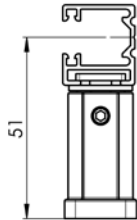
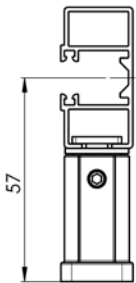
Telescopic guiding channel holder STS, P021/6 (2-00583) for guiding channel P 016/1, P 017/1, P 017/5, P 018/10, P 018/4





Telescopic guiding channel holder STS, P021/5

2-00582-XXXX-0



pro P 016/1

pro P 018/10

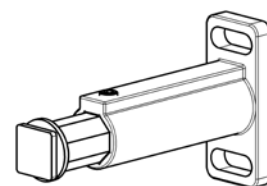
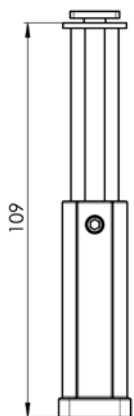
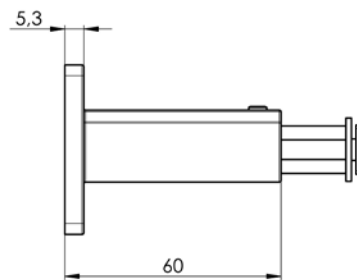
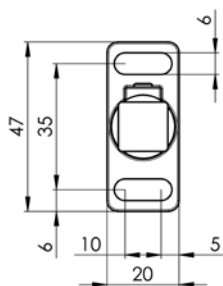
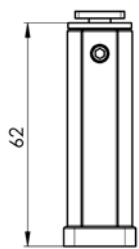
pro P 017/1

pro P 018/4

pro P 017/5

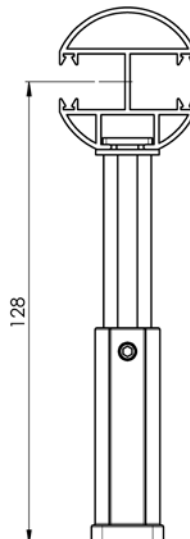
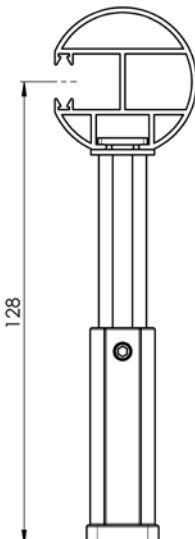
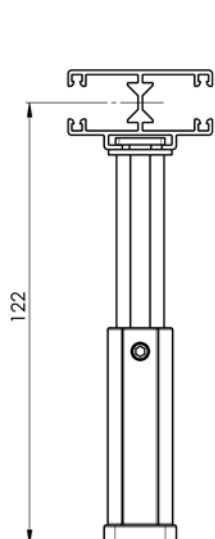
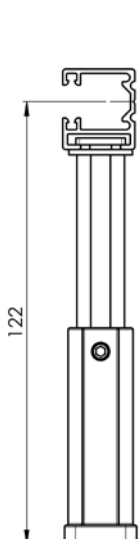
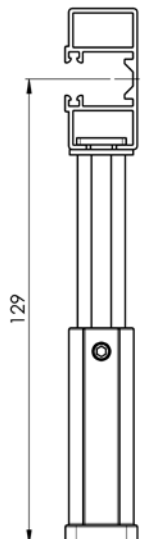
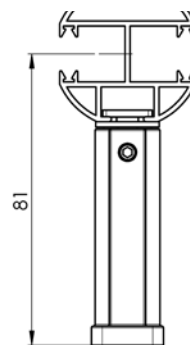
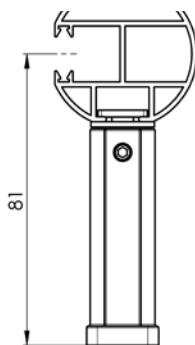
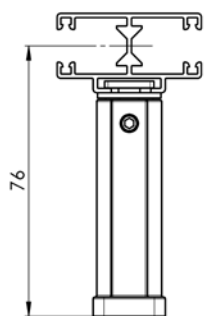
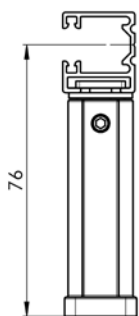
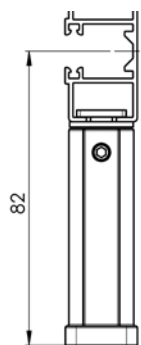
Telescopic guiding channel holder STS, P021/5

2-00582-XXXX-0



Telescopic guiding channel holder STS, P021/6

2-00583-XXXX-0



pro P 016/1

pro P 018/10

pro P 017/1

pro P 018/4

pro P 017/5

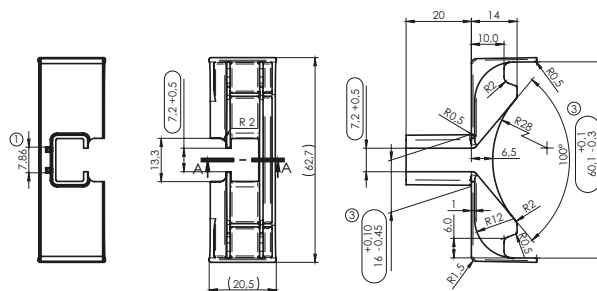
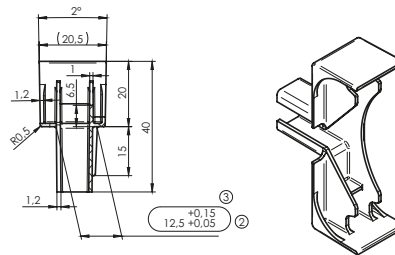
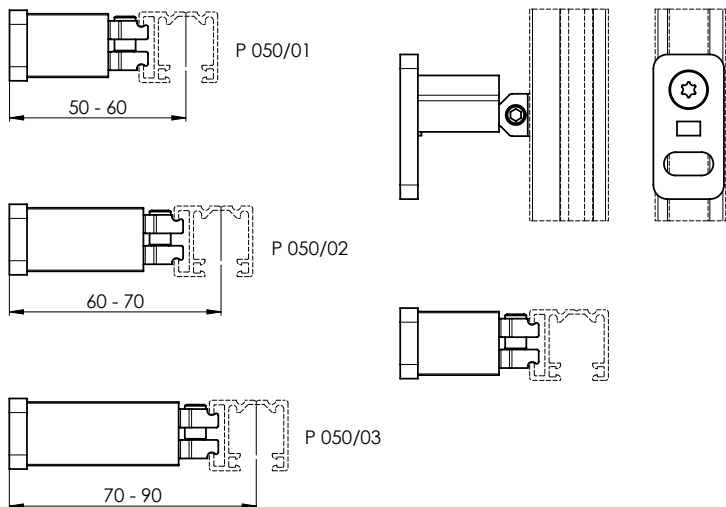
Telescopic guiding channel holder STS, P021/6

2-00583-XXXX-0

Guiding Channel Holders

Telescopic guiding channel holder, P 050/01 (2-01027), P 050/02 (2-01028), P 050/03 (2-01029)
for guiding channel P017/1 a P018/10

Guide rail locking holder



Telescopic guiding channel holder, P 050/04 (2-01030), P 050/05 (2-01031), P 050/06 (2-01032), P 050/07 (2-01033),
P 050/08 (2-01034), P 050/09 (2-01035), P 050/10 (2-01036) for guiding channel P017/1 a P018/10

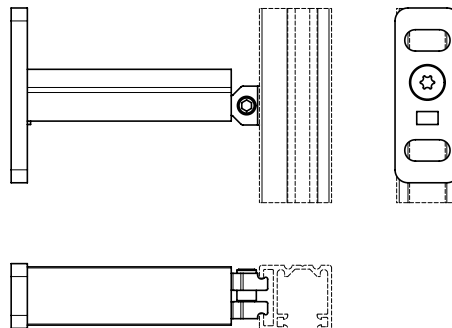
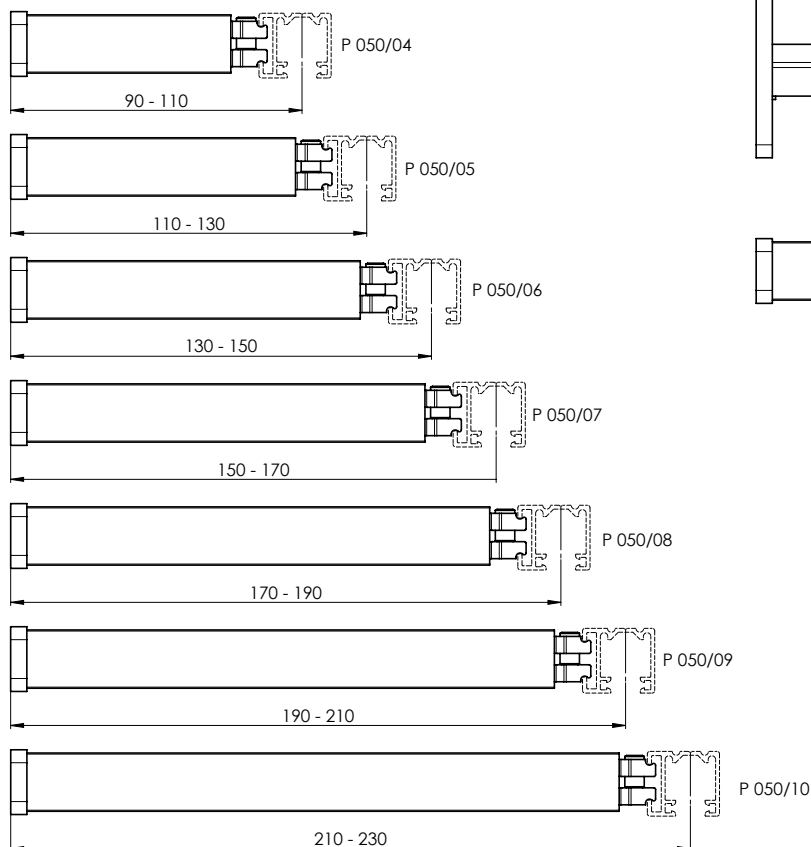
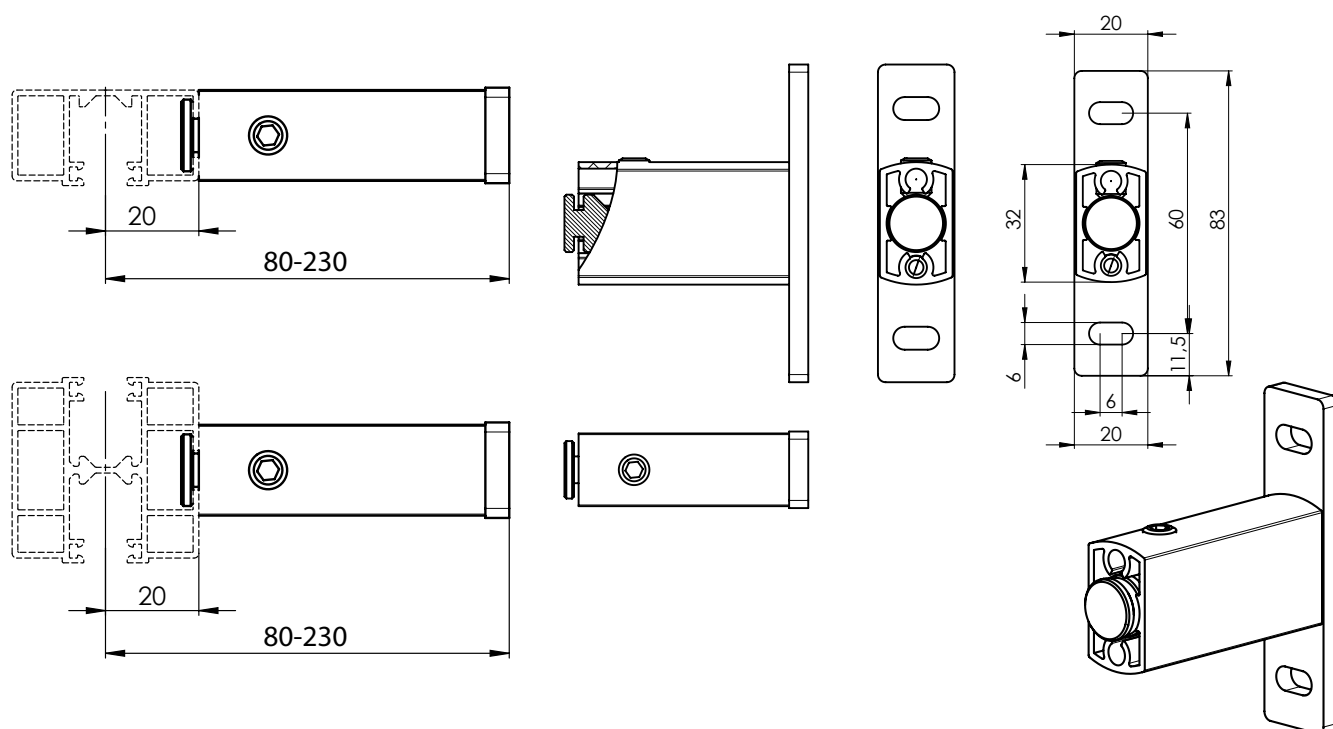


Table of Guiding Channel Holders for STS

item name	Business name - Abbreviation 2	Order number - Abbreviation 1
Guide channel holder STS - 80 mm, elox	P 021/17 PU52	2-01714-PU52
Guide channel holder STS - 85 mm, elox	P 021/18 PU52	2-01715-PU52
Guide channel holder STS - 90 mm, elox	P 021/19 PU52	2-01716-PU52
Guide channel holder STS - 95 mm, elox	P 021/20 PU52	2-01717-PU52
Guide channel holder STS - 100 mm, elox	P 021/21 PU52	2-01718-PU52
Guide channel holder STS - 105 mm, elox	P 021/22 PU52	2-01719-PU52
Guide channel holder STS - 110 mm, elox	P 021/23 PU52	2-01720-PU52
Guide channel holder STS - 115 mm, elox	P 021/24 PU52	2-01721-PU52
Guide channel holder STS - 120 mm, elox	P 021/25 PU52	2-01722-PU52
Guide channel holder STS - 125 mm, elox	P 021/26 PU52	2-01723-PU52
Guide channel holder STS - 130 mm, elox	P 021/27 PU52	2-01724-PU52
Guide channel holder STS - 135 mm, elox	P 021/28 PU52	2-01725-PU52
Guide channel holder STS - 140 mm, elox	P 021/29 PU52	2-01726-PU52
Guide channel holder STS - 145 mm, elox	P 021/30 PU52	2-01727-PU52
Guide channel holder STS - 150 mm, elox	P 021/31 PU52	2-01728-PU52
Guide channel holder STS - 155 mm, elox	P 021/32 PU52	2-01729-PU52
Guide channel holder STS - 160 mm, elox	P 021/33 PU52	2-01730-PU52
Guide channel holder STS - 165 mm, elox	P 021/34 PU52	2-01731-PU52
Guide channel holder STS - 170 mm, elox	P 021/35 PU52	2-01732-PU52
Guide channel holder STS - 175 mm, elox	P 021/36 PU52	2-01733-PU52
Guide channel holder STS - 180 mm, elox	P 021/37 PU52	2-01734-PU52
Guide channel holder STS - 185 mm, elox	P 021/38 PU52	2-01735-PU52
Guide channel holder STS - 190 mm, elox	P 021/39 PU52	2-01736-PU52
Guide channel holder STS - 195 mm, elox	P 021/40 PU52	2-01737-PU52
Guide channel holder STS - 200 mm, elox	P 021/41 PU52	2-01738-PU52
Guide channel holder STS - 205 mm, elox	P 021/42 PU52	2-01739-PU52
Guide channel holder STS - 210 mm, elox	P 021/43 PU52	2-01740-PU52
Guide channel holder STS - 215 mm, elox	P 021/44 PU52	2-01741-PU52
Guide channel holder STS - 220 mm, elox	P 021/45 PU52	2-01742-PU52
Guide channel holder STS - 225 mm, elox	P 021/46 PU52	2-01743-PU52
Guide channel holder STS - 230 mm, elox	P 021/47 PU52	2-01744-PU52

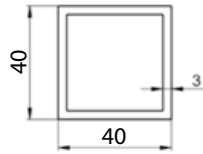


Guiding Channel Holders

All types of the brackets are identical for both types of the square profiles.

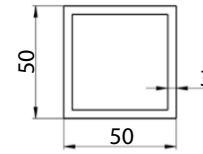
P 100 square profile

Applies to all types of blinds except for S90, Z90 a C100.



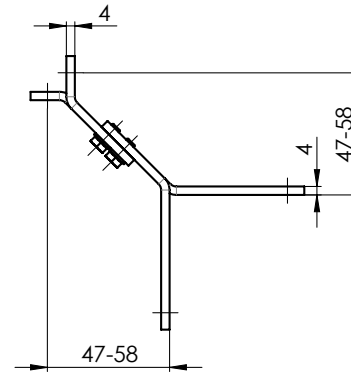
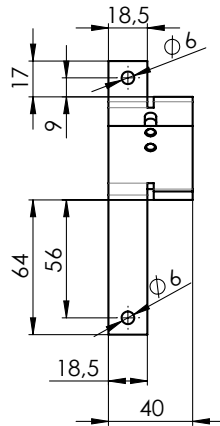
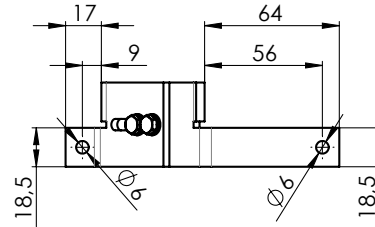
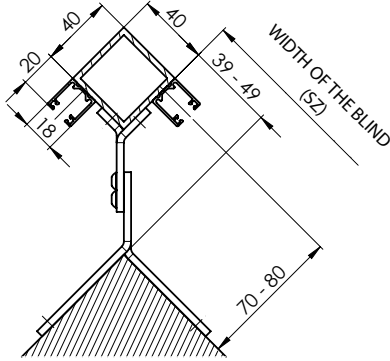
P 100/2 square profile

Applies to S90 a Z90 only.



Guiding channel corner bracket exterior 70 - 80 P 098/0 (2-01150-PU11)

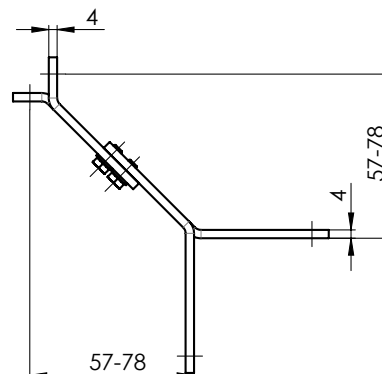
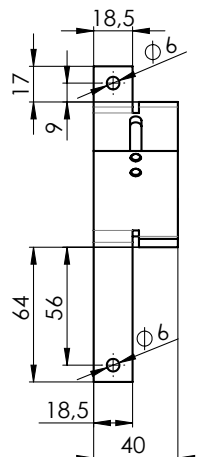
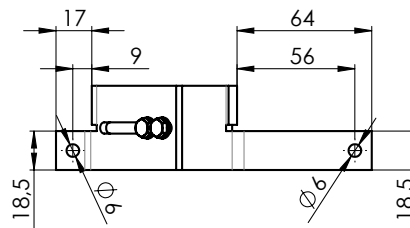
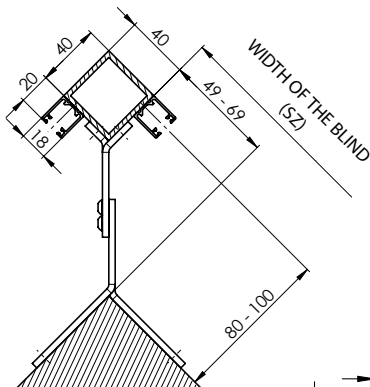
For extension of 70mm is the measured width (SZ) 39mm bigger. With each extension of 1 mm, increases also the width by 1 mm.



In case of the 40x40 mm profile, 70 mm is the minimum distance between the guide axis and the anchor plane!

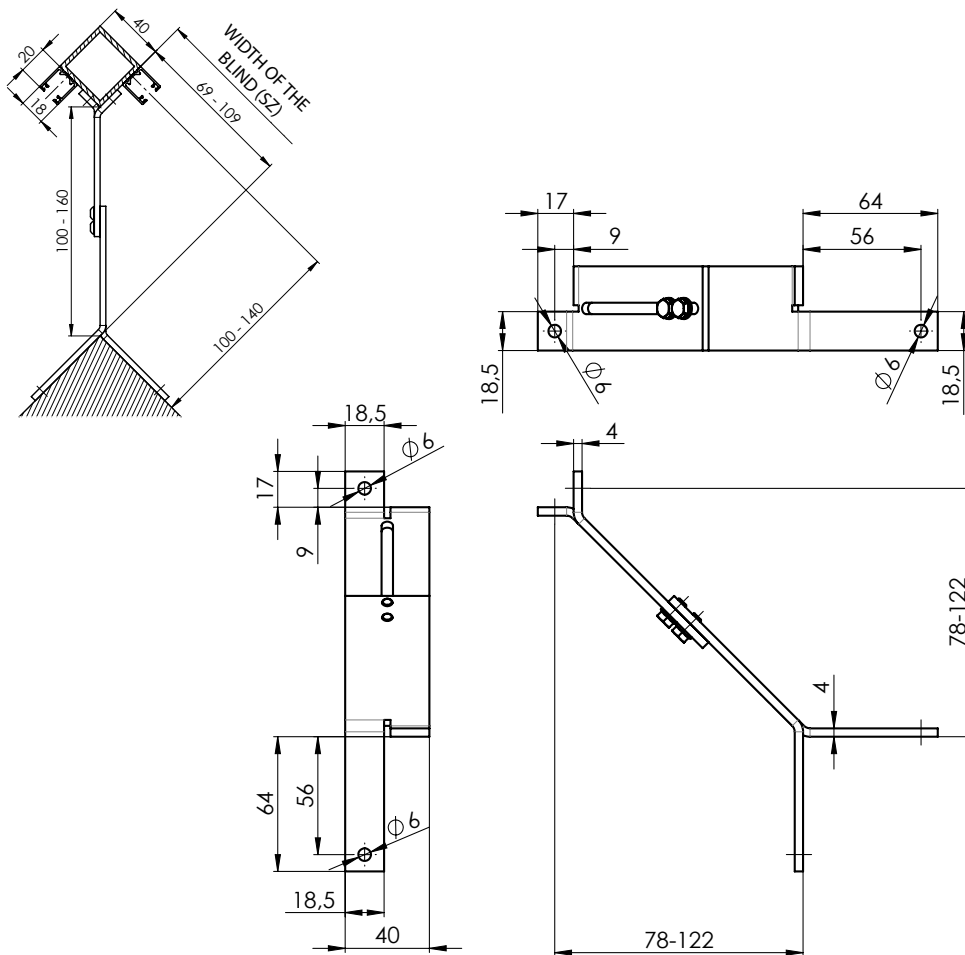
Guiding channel corner bracket exterior 80 - 100 P 098/1 (2-01151-PU11)

For extension of 80mm is the measured width (SZ) 49mm bigger. With each extension of 1 mm, increases also the width by 1 mm.



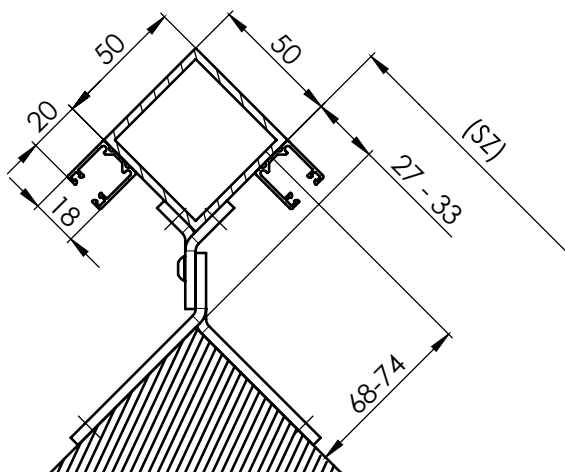
Guiding channel corner bracket exterior 100 – 140 P 098/2 (2-01152-PU11)

For extension of 100mm is the measured width (SZ) 69mm bigger. With each extension of 1 mm, increases also the width by 1 mm.



Guiding channel corner bracket exterior 68-74 P 098/3 (2-011807-PU11)

For extension of 68mm is the measured width (SZ) 27 mm bigger. With each extension of 1 mm, increases also the width by 1 mm.



Technical Specification

Slats

Control

Guidance

Blinds Holders

Front Covers

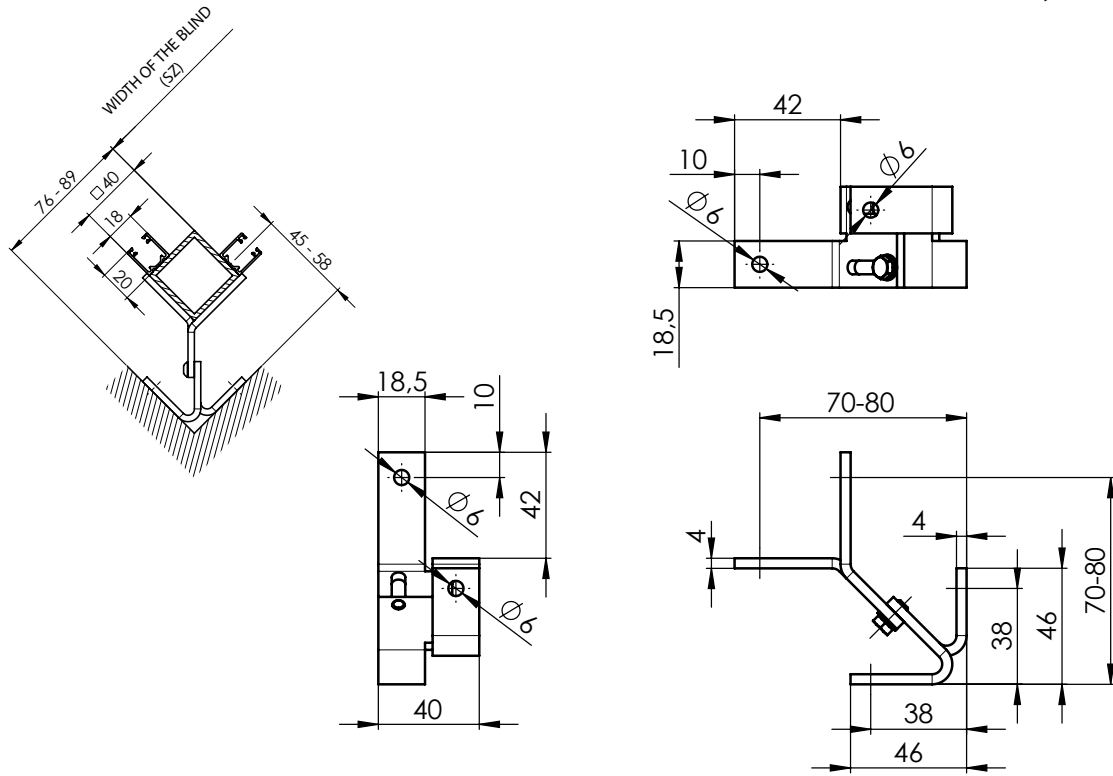
Measurement and Assembly

Alternative Designs

Special Designs

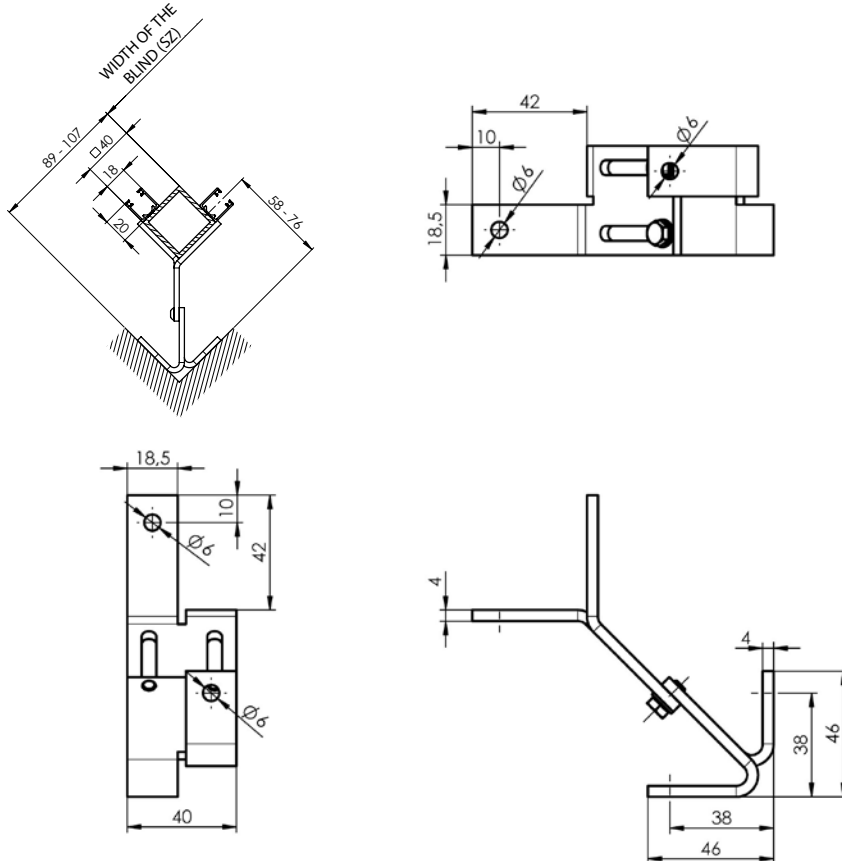
Guiding channel corner bracket interior 45-58 P 099/0 (2-01154-PU11)

For extension of 45mm is the measured width (SZ) 39mm shorter. With each extension of 1 mm, decreases also the width by 1 mm.



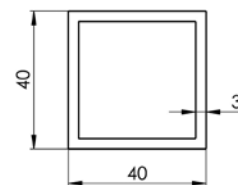
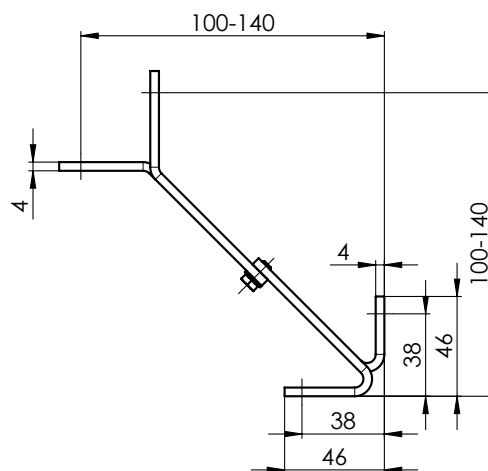
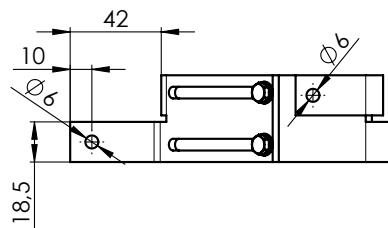
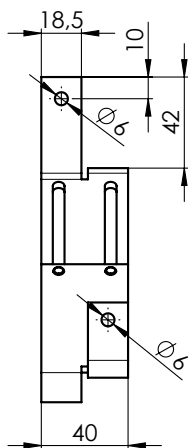
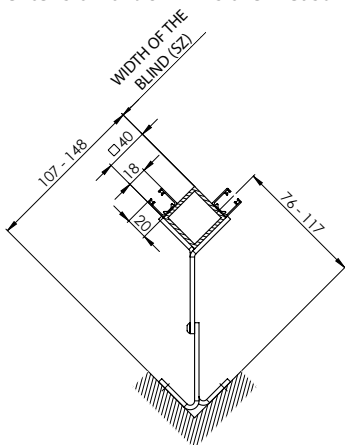
Guiding channel corner bracket interior 58-76 P 099/1 (2-01155-PU11)

For extension of 58 mm is the measured width (SZ) 87mm shorter. With each extension of 1 mm, decreases also the width by 1 mm.



Guiding channel corner bracket interior 76-117 P 099/2 (2-01156-PU11)

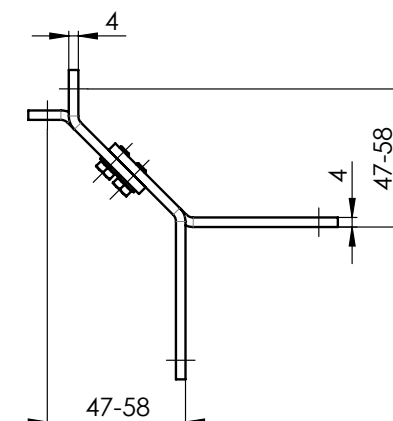
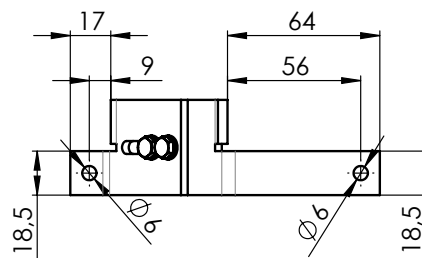
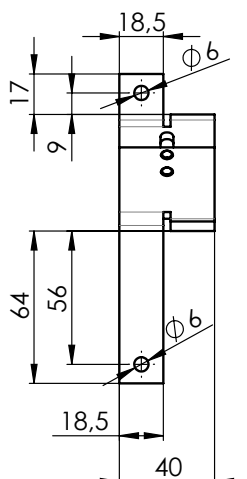
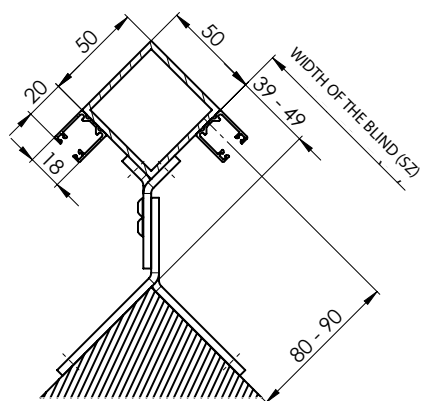
For extension of 98 mm is the measured width (SZ) 106mm shorter. With each extension of 1 mm, decreases also the width by 1 mm.



Guiding Channel Holders only for S90 and Z90

Guiding channel corner bracket exterior 80-90 P098/0 2-01150-PU11

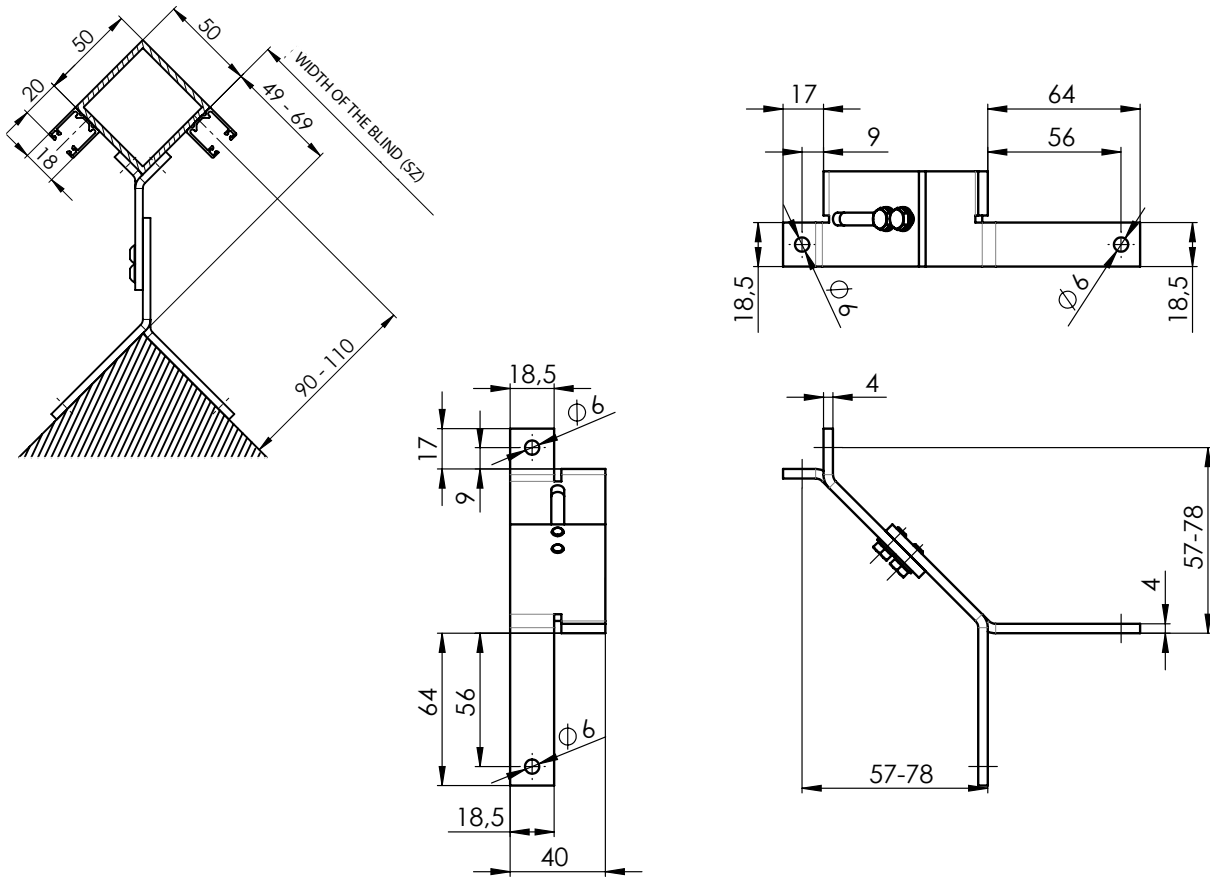
For extension of 80 mm is the measured width (SZ) 39 mm shorter. With each extension of 1 mm, decreases also the width by 1 mm.



In case of the 50x50 mm profile, 80 mm is the minimum distance between the guide axis and the anchor plane.

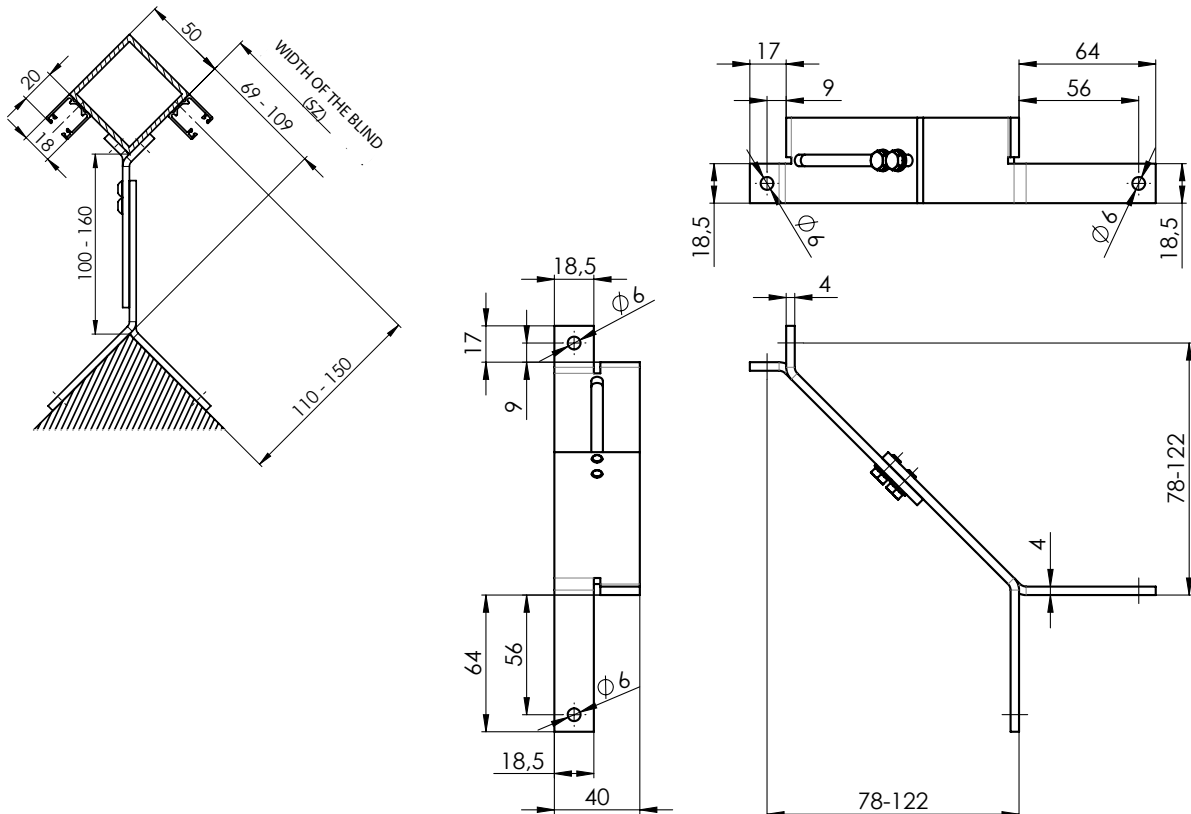
Guiding channel corner bracket exterior 90-110 P098/1 2-01151- PU11

For extension of 90 mm is the measured width (SZ) 49 mm shorter. With each extension of 1 mm, decreases also the width by 1 mm.



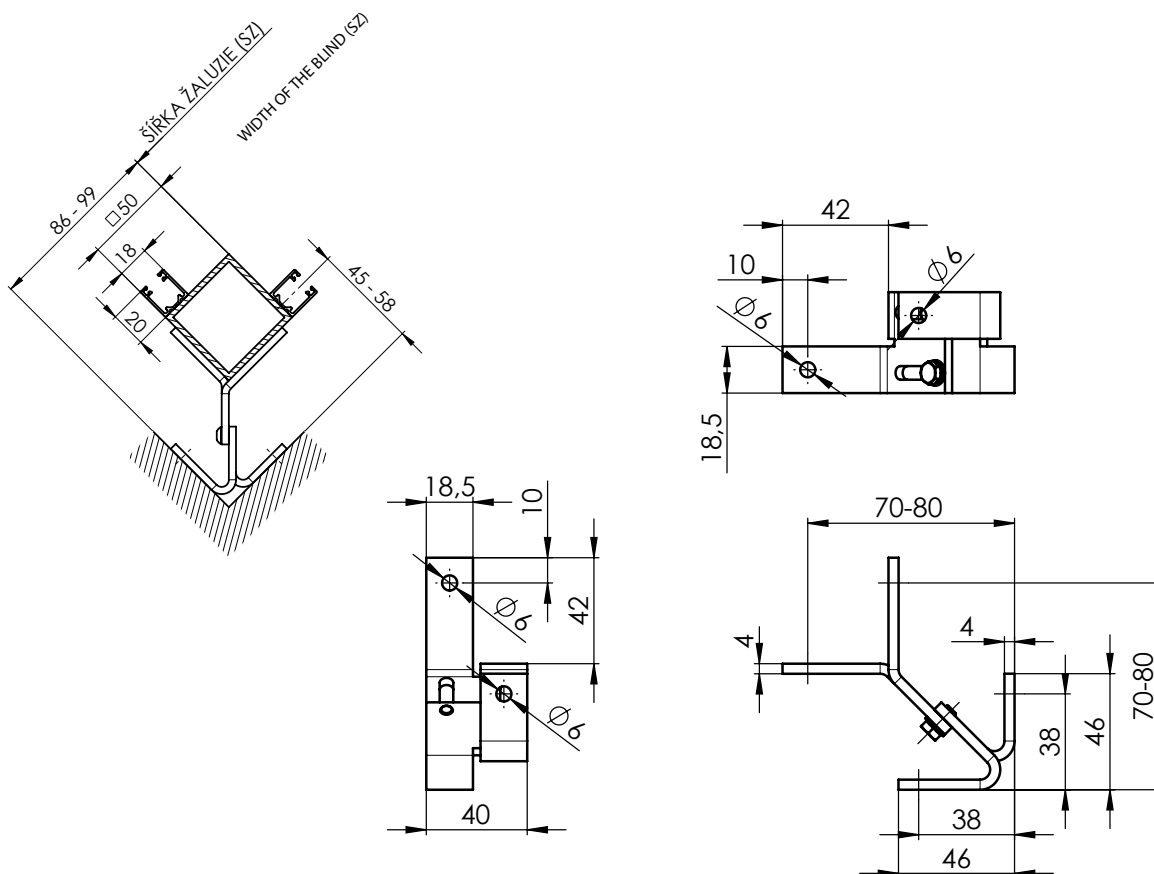
Guiding channel corner bracket exterior 110-150 P098/2 2-01152- PU11

For extension of 110 mm is the measured width (SZ) 69 mm shorter. With each extension of 1 mm, decreases also the width by 1 mm.



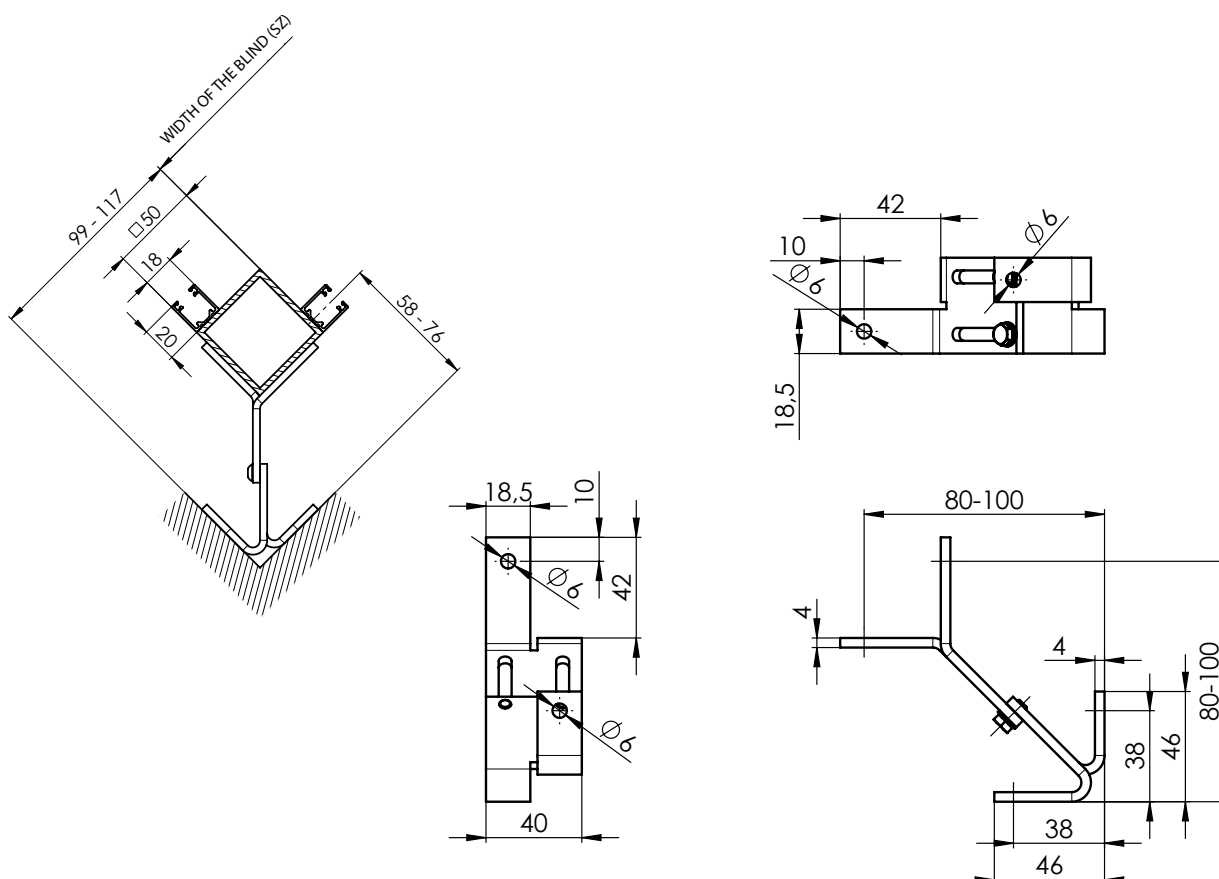
Guiding channel corner bracket interior 45-58 P099/0 2-01154- PU11

For extension of 45 mm is the measured width (SZ) 86 mm shorter. With each extension of 1 mm, decreases also the width by 1 mm.



Guiding channel corner bracket interior 58-76 P099/1 2-01155- PU11

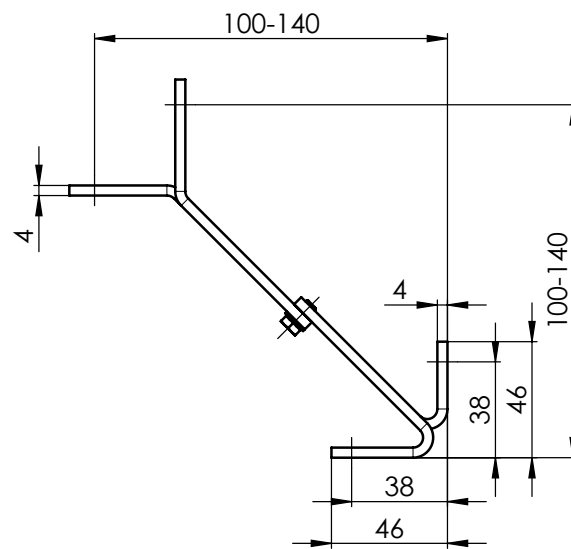
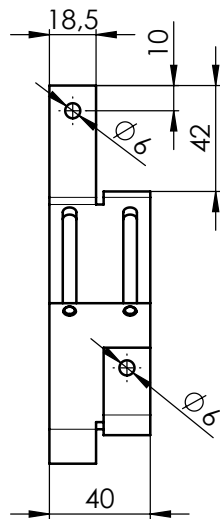
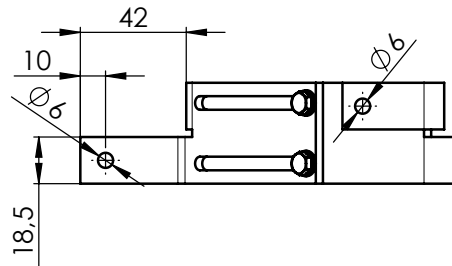
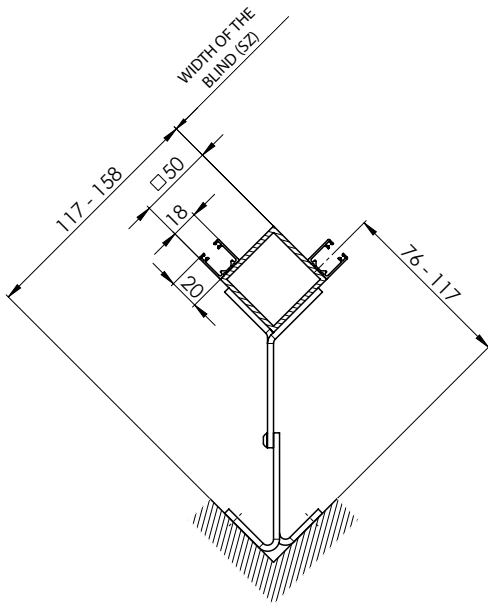
For extension of 58 mm is the measured width (SZ) 99 mm shorter. With each extension of 1 mm, decreases also the width by 1 mm.

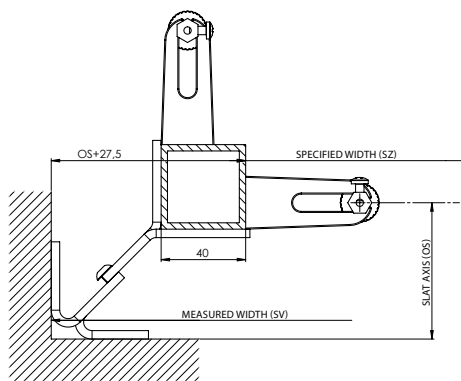


When using the 40x40 mm square tube, the minimum distance between the centre of the rail and the carrier anchor plane is 70 mm; in case of the 50x50 mm square tube, the distance is 80 mm.

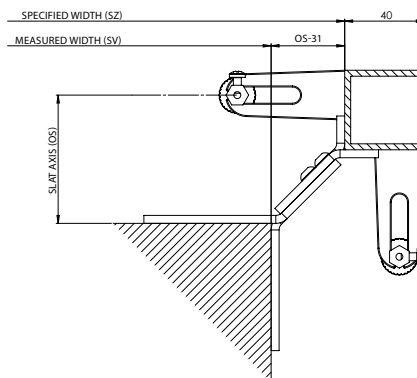
Guiding channel corner bracket interior 76-117 P099/2 2-01156- PU11

For extension of 76 mm is the measured width (SZ) 117 mm shorter. With each extension of 1 mm, decreases also the width by 1 mm.



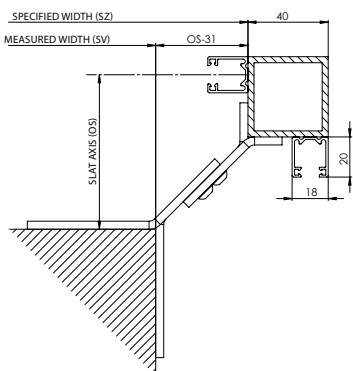


$$SZ=SV-(OS+27,5)$$

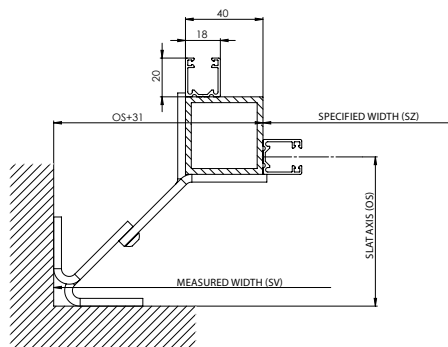


$$SZ=SV+(OS-27,5)$$

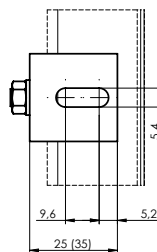
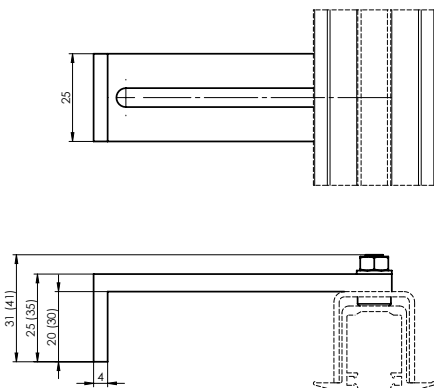
Measurement - channel



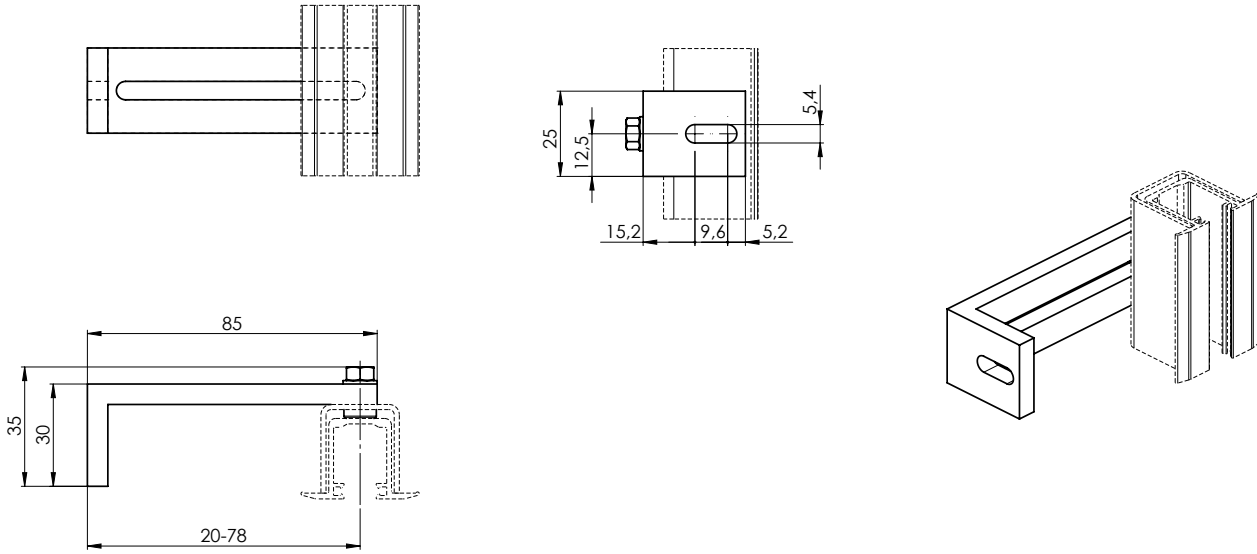
$$SZ=SV+(OS-31)$$



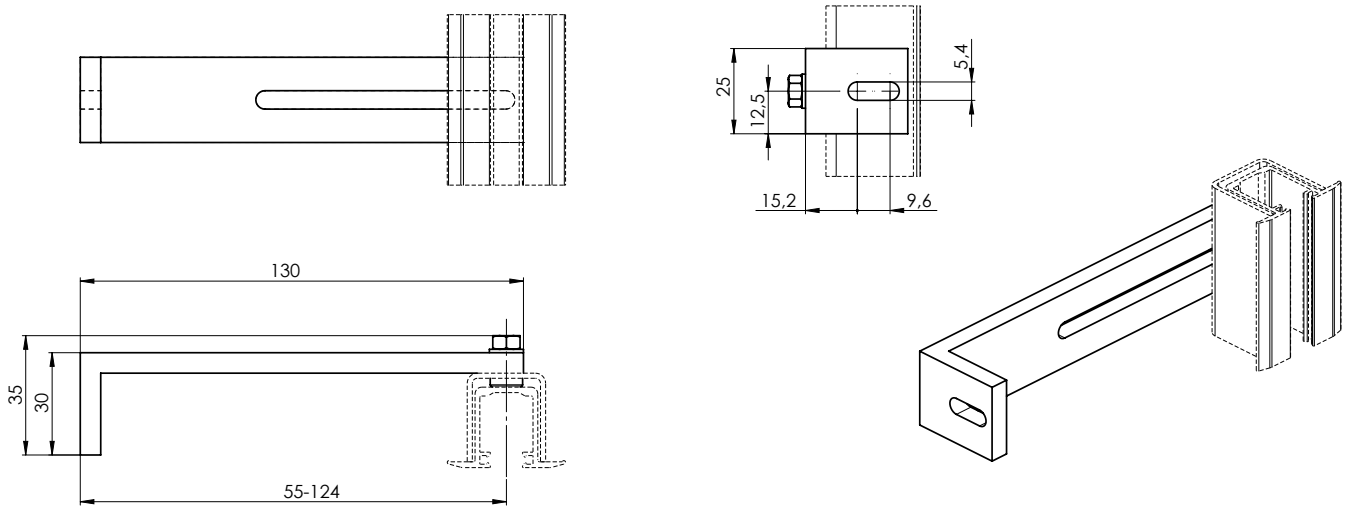
$$SZ=SV-(OS+31)$$



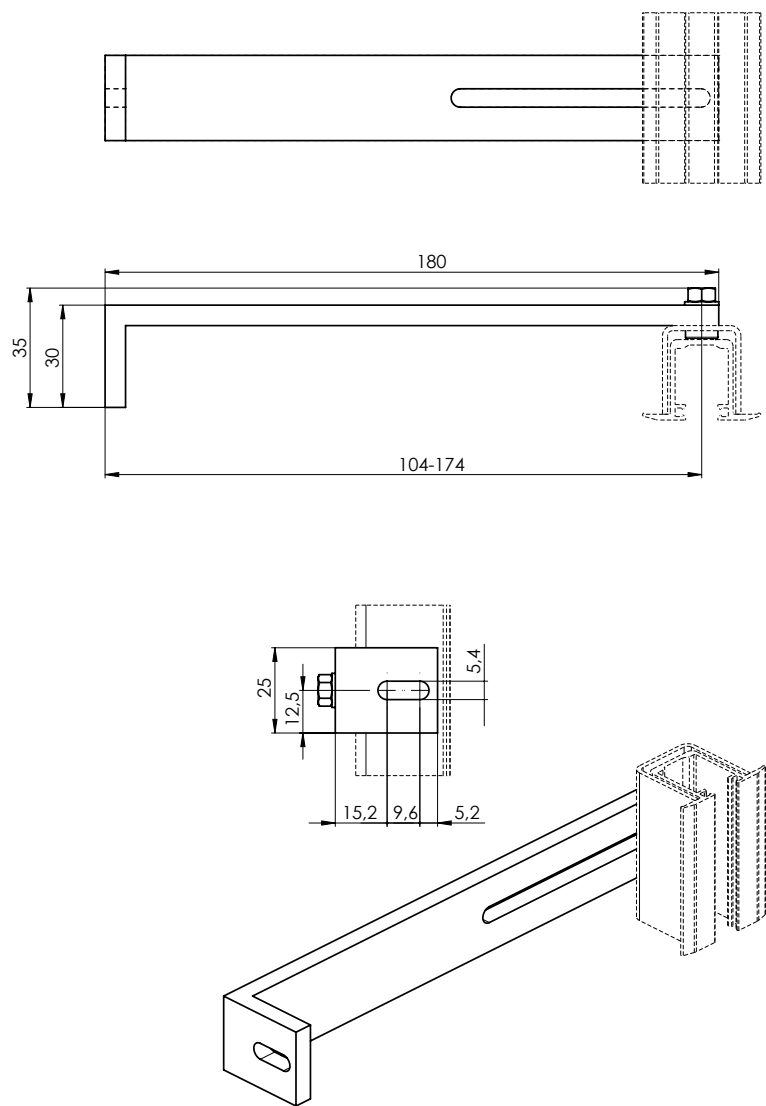
Guiding Channel Holder 20-80 P 047/1 2-01318-0000-2



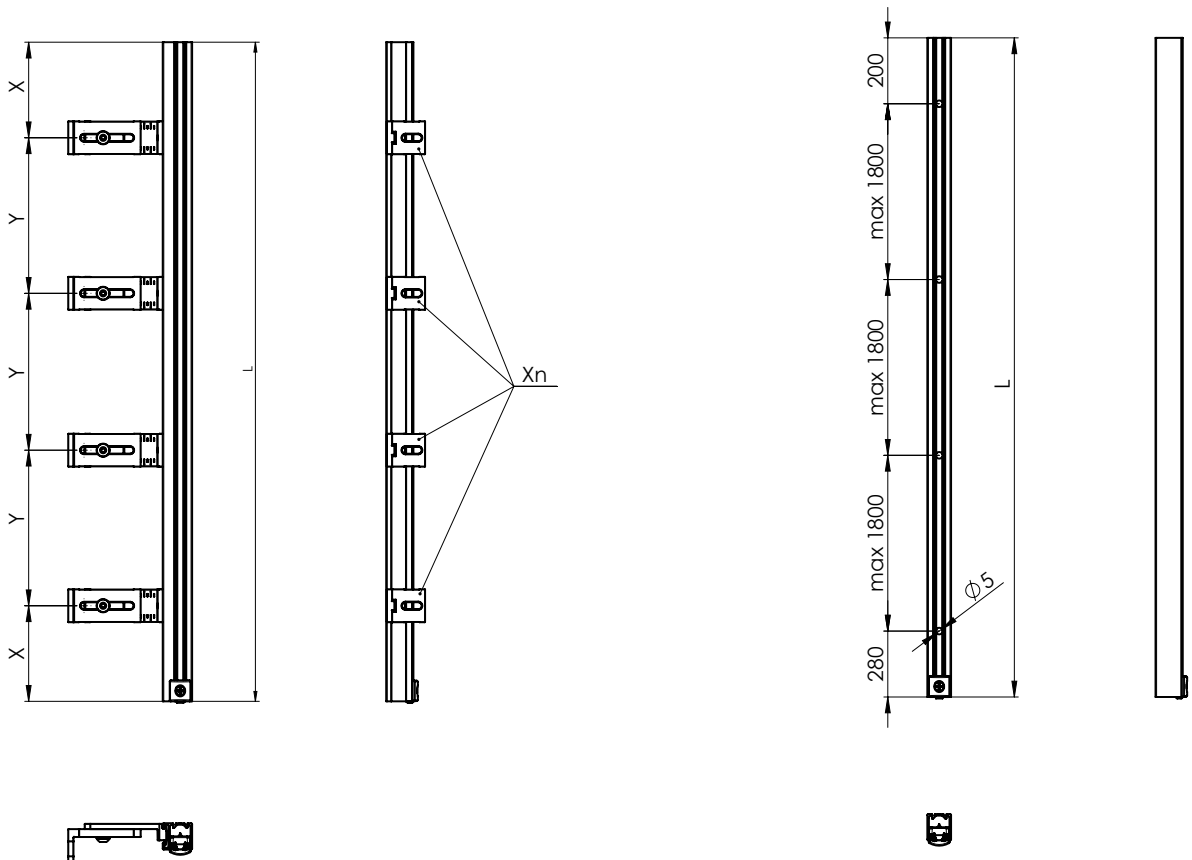
Guiding Channel Holder 55-125 P 047/2 2-01319-0000-2



Guiding Channel Holder 104-174 P 047/3 2-01320-0000-2



Types of guiding channel holders	Distance from center of guiding channel to the window frame (mm)	Guiding Channel
Guiding channel holder, 55 - 74 mm P021 (2-00050)	55 - 74	P 017/1, P 018/10
Guiding channel holder, 75 - 102 mm P021/1 (2-00051)	75 - 102	P 017/1, P 018/10
Guiding channel holder, 103 - 154 mm P021/2 (2-00052)	103 - 154	P 017/1, P 018/10
Telescopic guiding channel holder, 103 - 170 mm P021/3 (2-00401)	103 - 170	P 017/1, P 017/5, P 018/10, P 018/4
Telescopic guiding channel holder, 171 - 295 mm P021/4 (2-00402)	171 - 295	P 017/1, P 017/5, P 018/10, P 018/4
Telescopic guiding channel holder STS, 56 - 80 mm P021/5 (2-00582)	56 - 80	P 016/1, P 017/1, P 017/5, P 018/10, P 018/4
Telescopic guiding channel holder STS, 81 - 125 mm P021/6 (2-00583)	81 - 125	P 016/1, P 017/1, P 017/5, P 018/10, P 018/4
Guiding channel holder, 50 - 60 mm P050/1	50 - 60	P017/1, P018/10
Guiding channel holder, 60 - 70 mm P050/2	60 - 70	P017/1, P018/10
Guiding channel holder, 70 - 90 mm P050/3	70 - 90	P017/1, P018/10
Guiding channel holder, 90 - 110 mm P050/4	90 - 110	P017/1, P018/10
Guiding channel holder, 110 - 130 mm P050/5	110 - 130	P017/1, P018/10
Guiding channel holder, 130 - 150 mm P050/6	130 - 150	P017/1, P018/10
Guiding channel holder, 150 - 170 mm P050/7	150 - 170	P017/1, P018/10
Guiding channel holder, 170 - 190 mm P050/8	170 - 190	P017/1, P018/10
Guiding channel holder, 190 - 210 mm P050/9	190 - 210	P017/1, P018/10
Guiding channel holder, 210 - 230 mm P050/10	210 - 230	P017/1, P018/10



Xn	L (mm)
2	0 - 1799
3	1800 - 2799
4	2800 - 4000

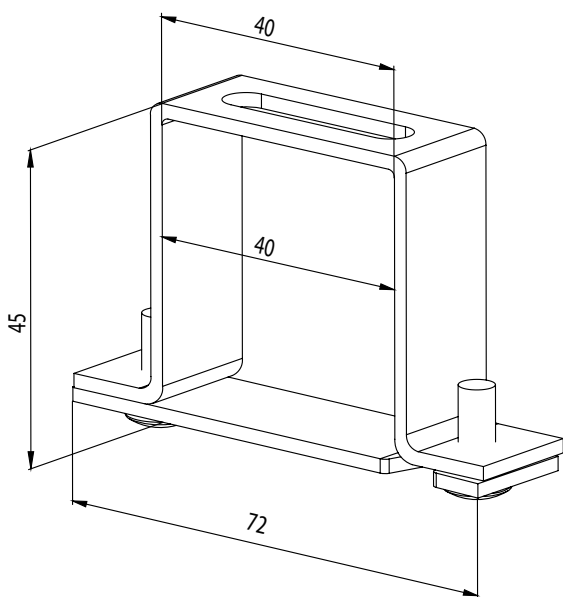
IF THE DISTANCE IS BETWEEN TWO NEIGHBORS HOLES LARGER THAN 1800 ARE COMPLETED SYMMETRICALLY ANOTHER OPENING

Recommended quantity of holders per one guiding channel based on blind height (mm)

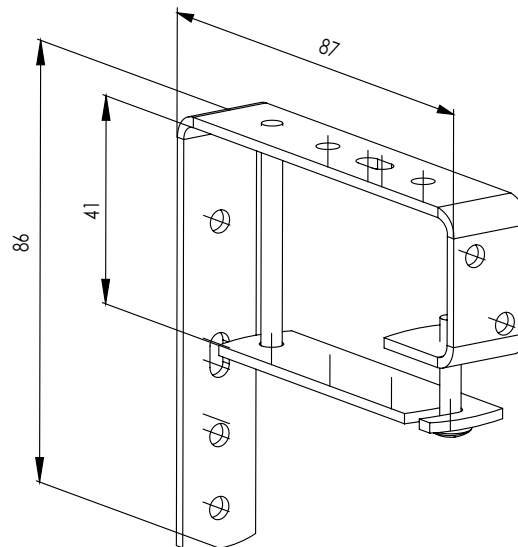
Blind height (mm)	Quantity
< 1799	2
1800 - 2799	3
2800 - 4000	4

Holders for Exterior Blinds

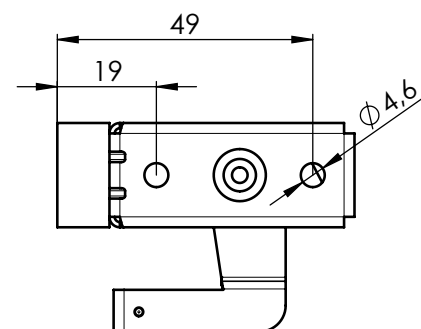
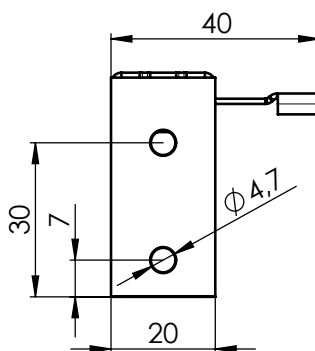
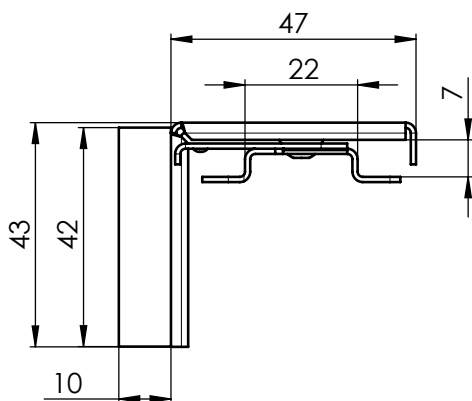
Fixed hanger for C50
 P 512 (2-00057)
 (for head rail 40 x 40)



Fixed hanger for C50 with front cover
 P 513 (6-001244)
 (for head rail 40 x 40)



Universal openable hanger P512/6 (6-010980)
 (for Head Rail 40x40)
 Pad P 512/61 (3-02936)



Technical Specification

Slats

Control

Guidance

Blinds Holders

Front Covers

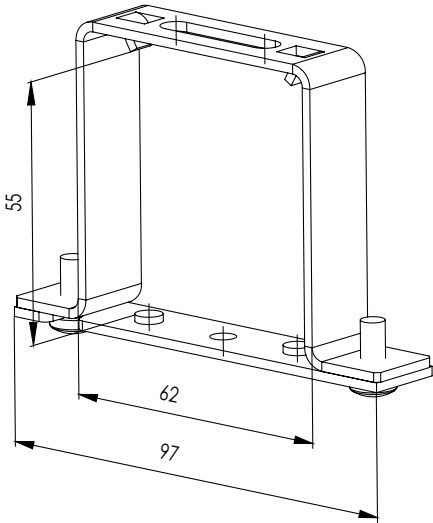
Measurement and Assembly

Alternative Designs

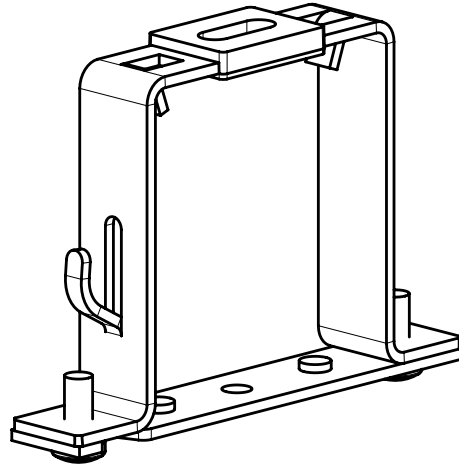
Special Designs

Head rail hanger Fe
P 002 (2-00038)
(for head rail 56 x 58)

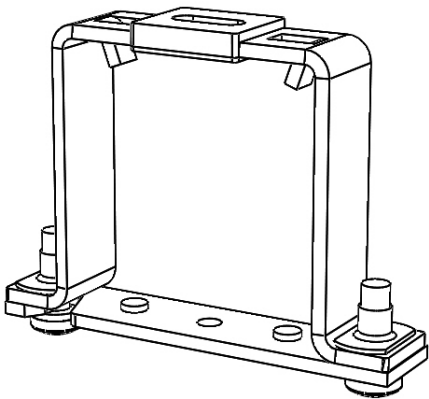
This type of hanger is always delivered without spraying.



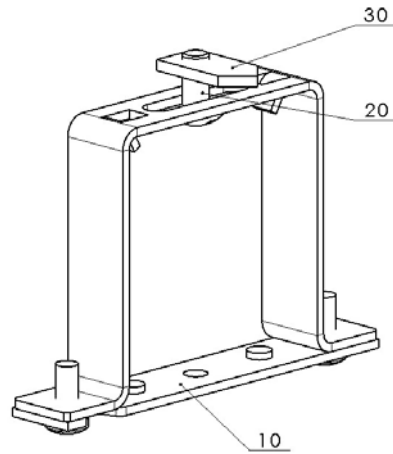
Head rail hanger, Fe, screw
P 002/10 (2-01351)



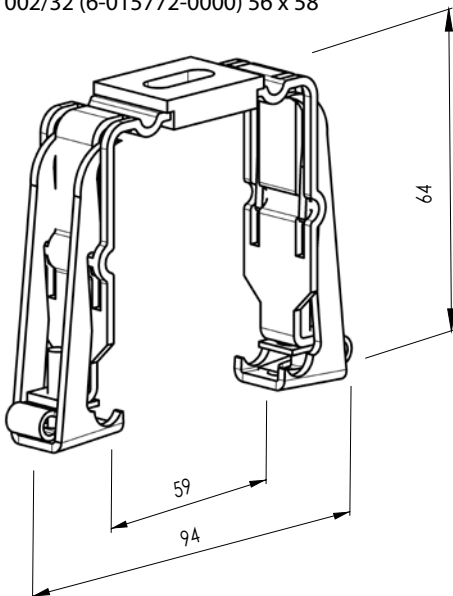
Head rail hanger Al
P 002/11 (2-01350)
(for head rail 58 x 60)



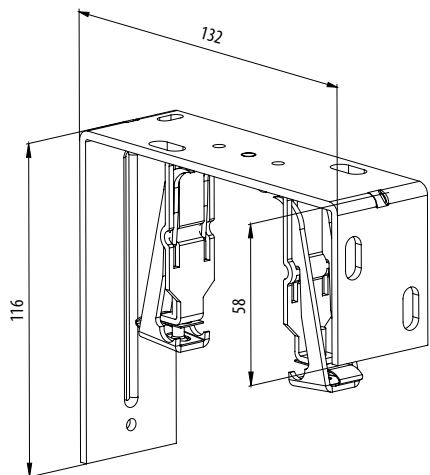
Head rail hanger Fe for Heluz P 002/31
(2-01688-0000)



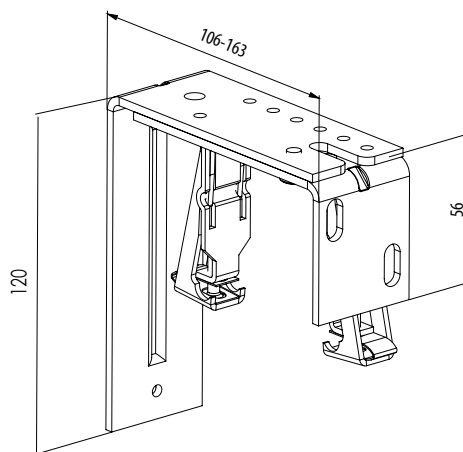
Head rail hanger mechanic - Fe Click
P 002/32 (6-015772-0000) 56 x 58



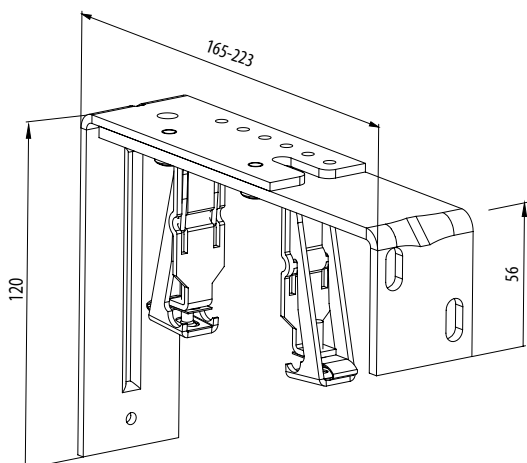
Fixed hanger (inner hanger Fe Click) 132 mm
P 009 (2-00403)
(for head rail 56 x 58)



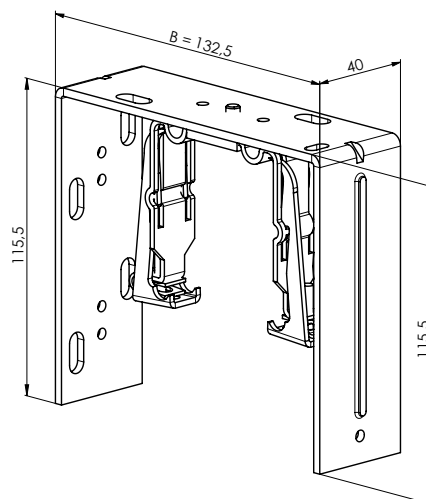
Adjustable hanger (inner hanger Fe Click) 106-163 mm
P 009/1 (2-00404)
(for head rail 56 x 58)



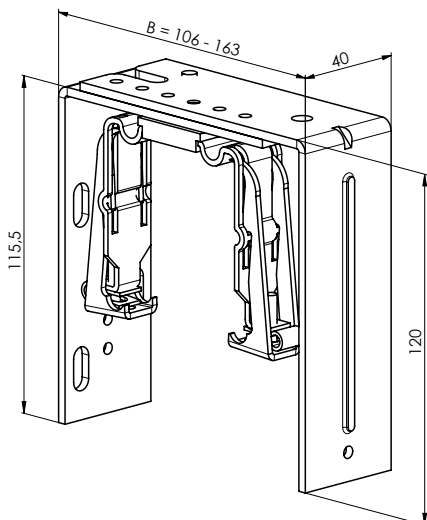
Adjustable hanger (inner hanger Fe Click) 165-223 mm
P 009/2 (2-00405)
(for head rail 56 x 58)



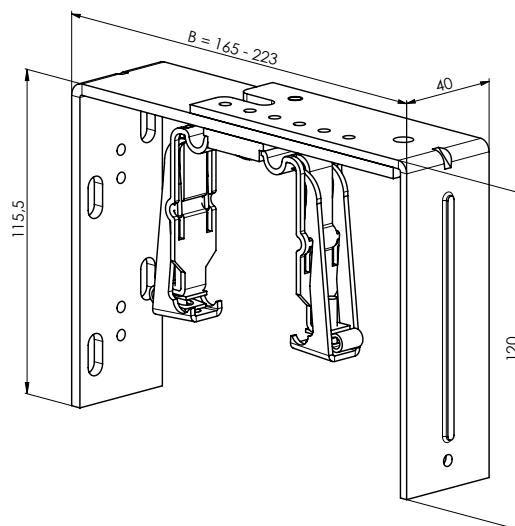
Blind bracket - fixed, mechanical 132,5 mm
P 009/20 (2-01393)
(for head rail 56 x 58)



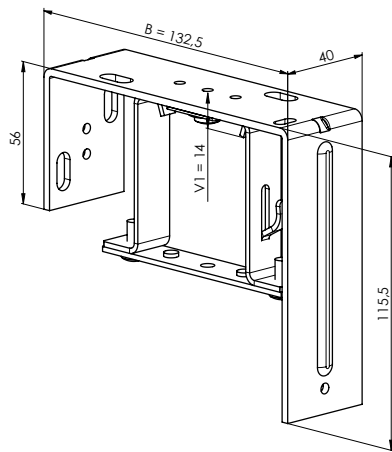
Blind bracket - short, adjustable and mechanical 106-163 mm
P 009/21 (2-01392)
(for head rail 56 x 58)(for head rail 56 x 58)



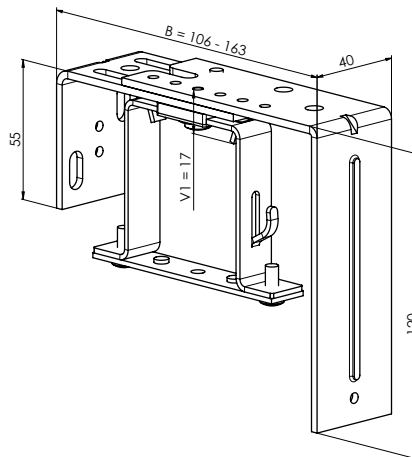
Blind bracket - long, adjustable and mechanical 165 - 223 mm
P 009/22 (2-01391)



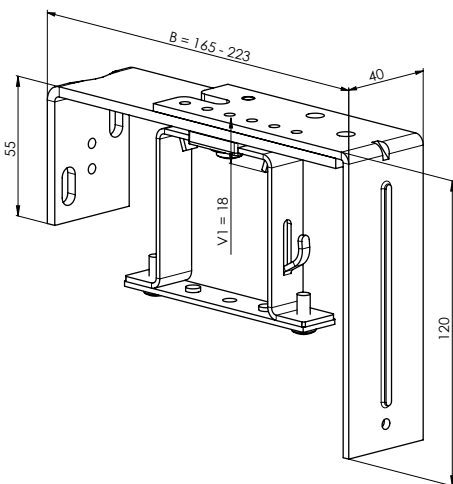
Fixed hanger (inner hanger Fe) 132,5 mm
P 010 (2-00353)
(for head rail 56 x 58)



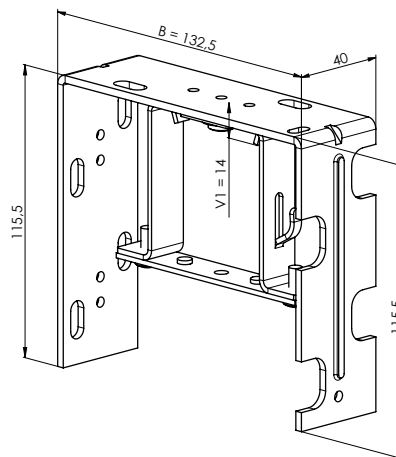
Adjustable hanger (inner hanger Fe) 106-163 mm
P 010/1 (2-00354)
(for head rail 56 x 58)



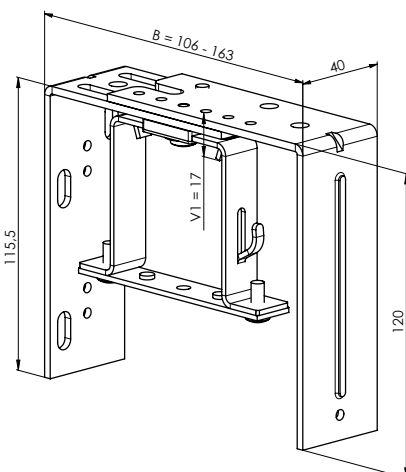
Adjustable hanger (inner hanger Fe) 165-223 mm
P 010/2 (2-00355)
(for head rail 56 x 58)



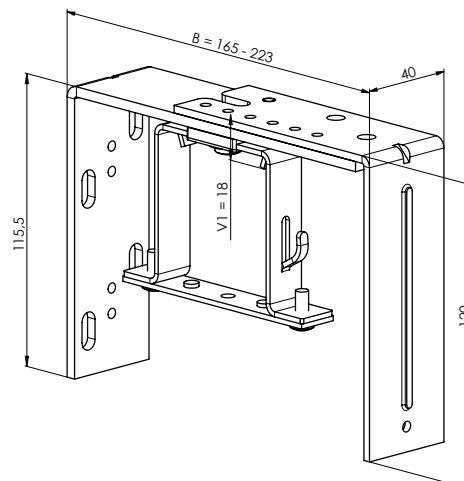
Blind bracket - fixed 132,5 mm
P 010/20 (2-01387)
(for head rail 56 x 58)



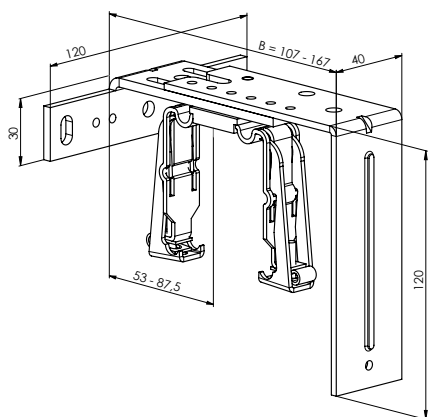
Blind bracket - short, adjustable 106-163 mm
P 010/21 (2-01386)
(for head rail 56 x 58)



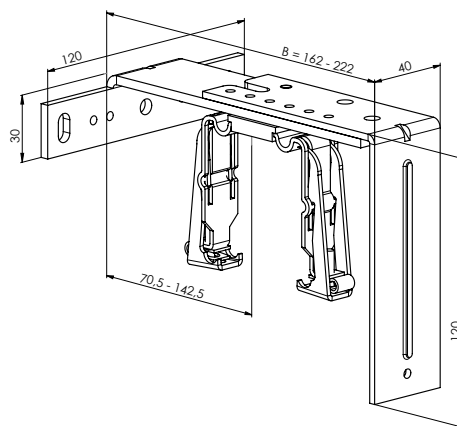
Blind bracket - long, adjustable 165 - 223 mm
P 010/22 (2-01385)
(for head rail 56 x 58)



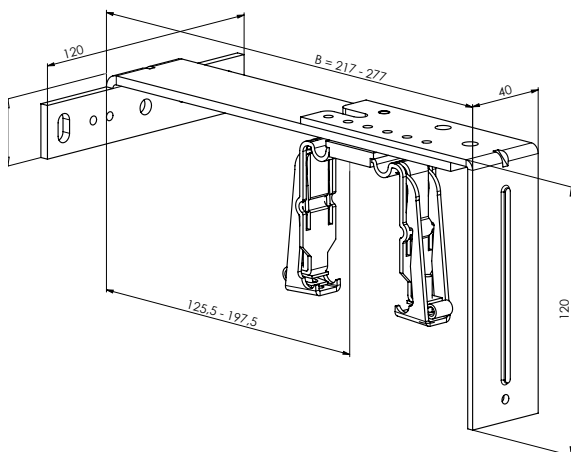
Adjustable hanger - mechanical 107 - 167 mm
P 010/30 (2-01599-0000)



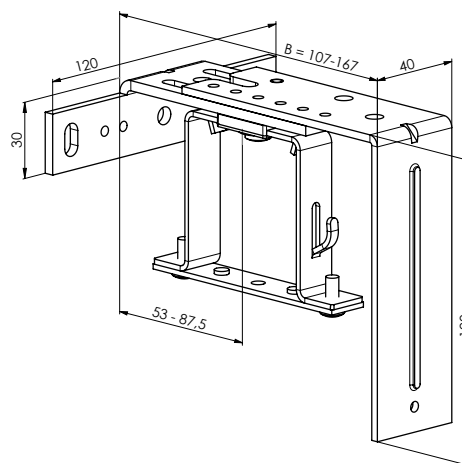
Adjustable hanger - mechanical 162 - 222 mm
P 010/31 (2-01600-0000)



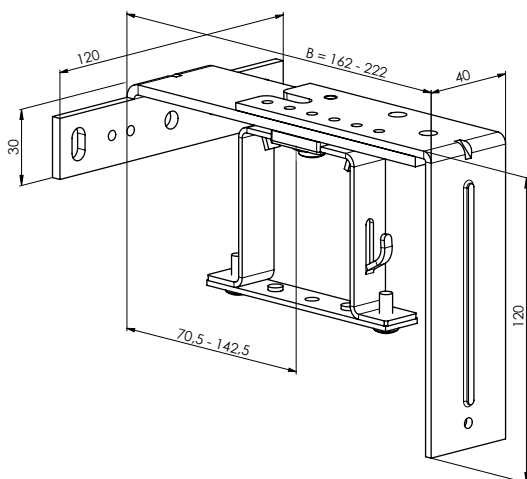
Adjustable hanger - mechanical 217 - 277 mm
P 010/32 (2-01601-0000)



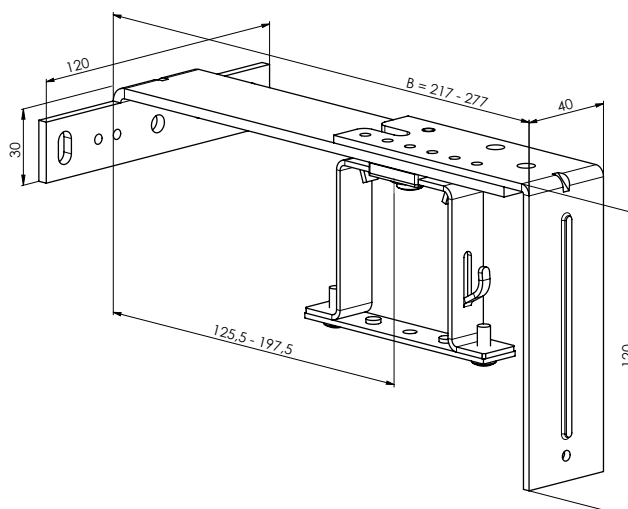
Adjustable hanger - fixed 107 - 167 mm
P 010/33 (2-01602-0000)



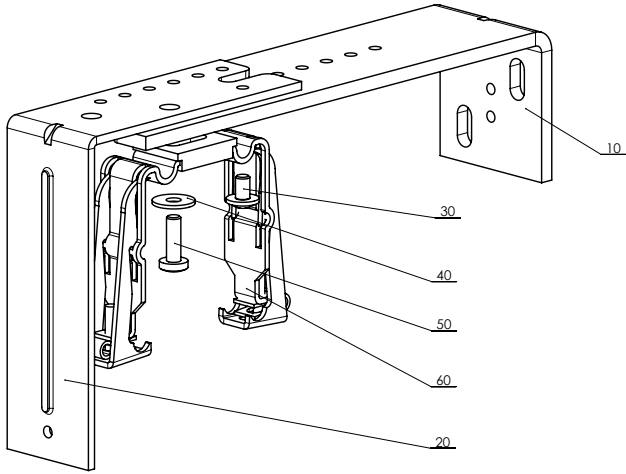
Adjustable hanger - fixed 162 - 222 mm
P 010/34 (2-01603-0000)



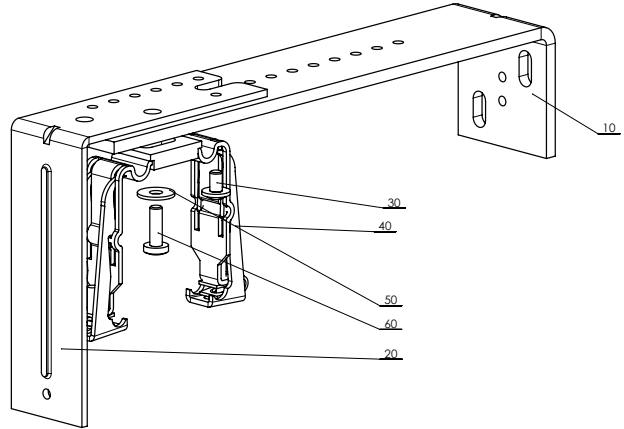
Adjustable hanger - fixed 217 - 277 mm
P 010/35 (2-01604-0000)



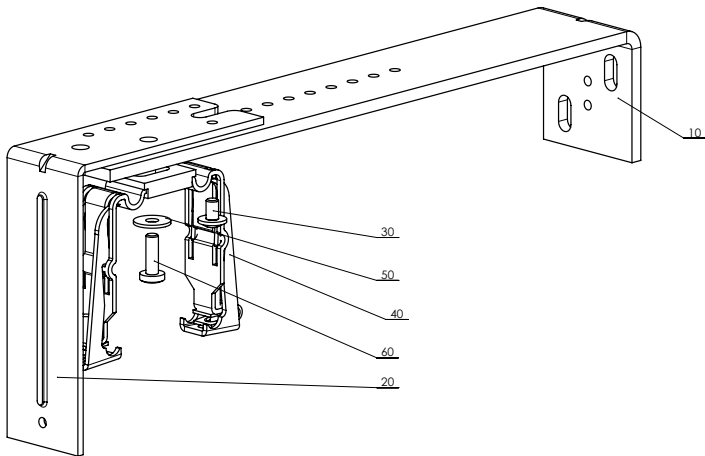
Adjustable bracket - mechanical 206 – 268 mm
P 010/36 (2-01794-0000)



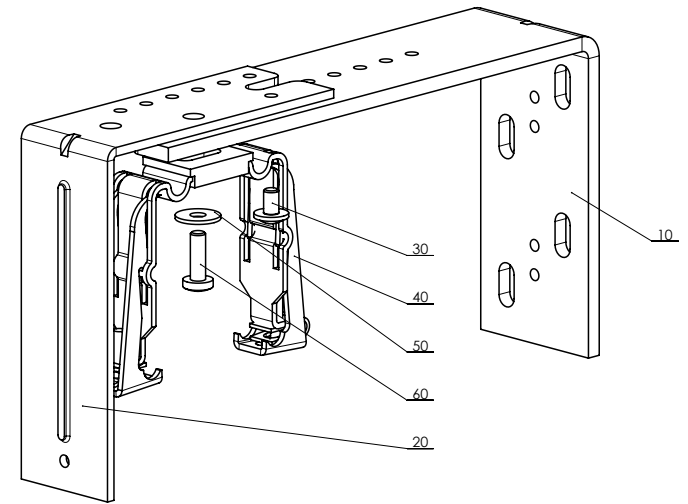
Adjustable bracket - mechanical 256 – 318 mm
P 010/37 (2-01795-0000)



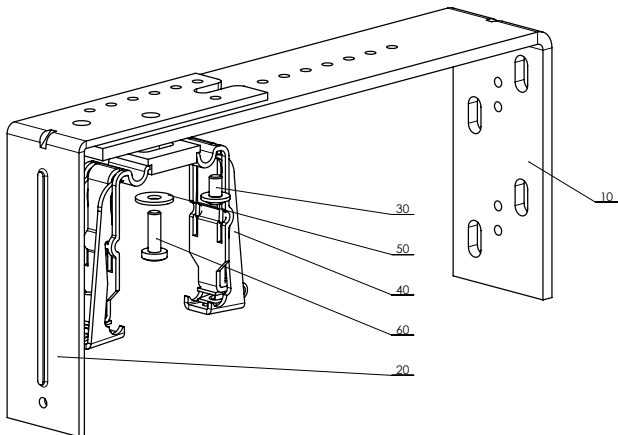
Adjustable bracket - mechanical 306 – 368 mm
P 010/38 (2-01796-0000)



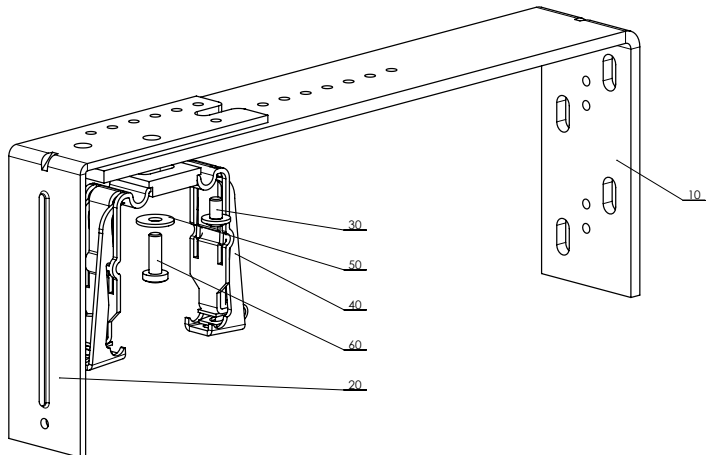
Adjustable double bracket - mechanical 206 – 268 mm
P 010/39 (2-01797-0000)



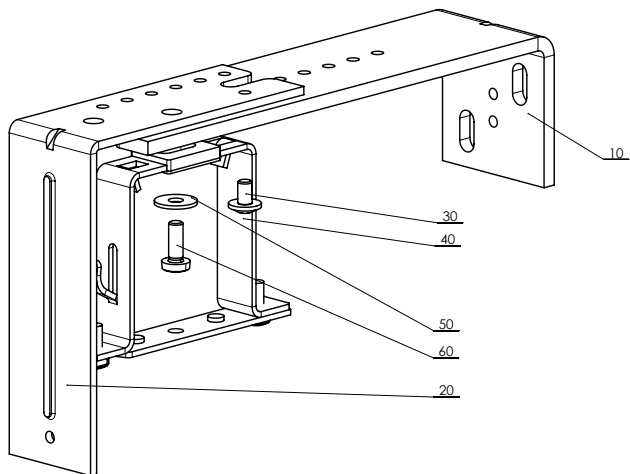
Adjustable double bracket - mechanical 256 – 318 mm
P 010/40 (2-01798-0000)



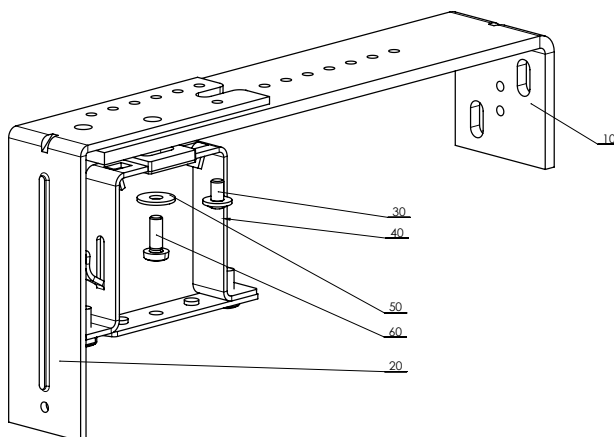
Adjustable double bracket - mechanical 306 – 368 mm
P 010/41 (2-01799-0000)



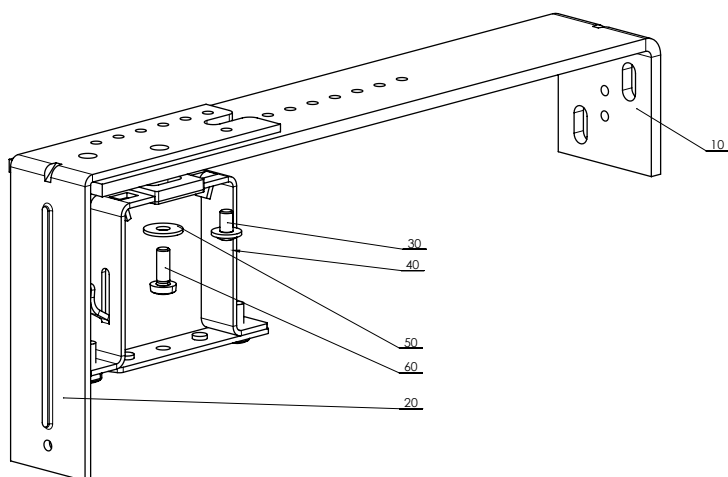
Adjustable bracket – fixed 206 – 268 mm
P 010/42 (2-01800-0000)



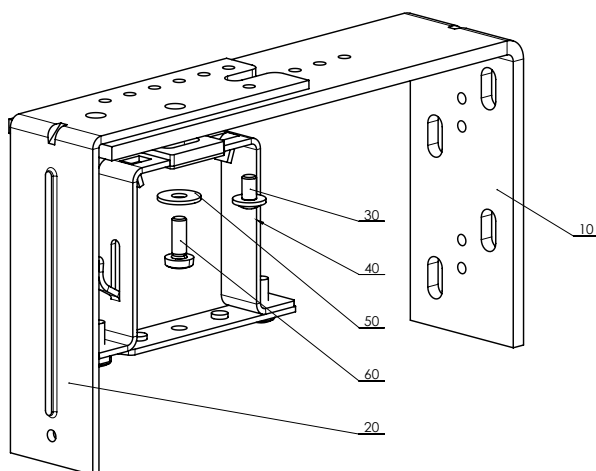
Adjustable bracket – fixed 256 – 318 mm
P 010/43 (2-01801-0000)



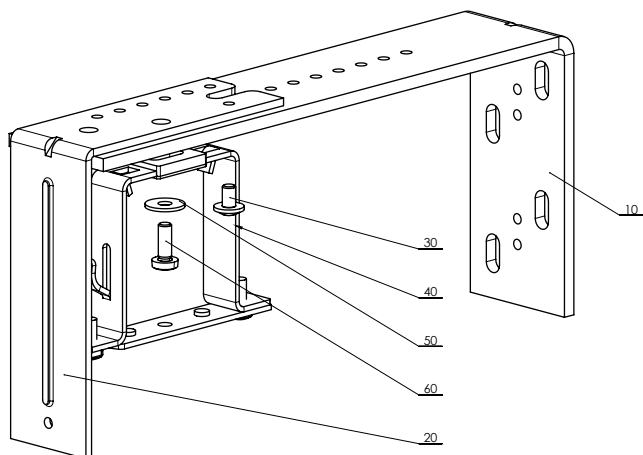
Adjustable bracket – fixed 306 – 368 mm
P 010/44 (2-01802-0000)



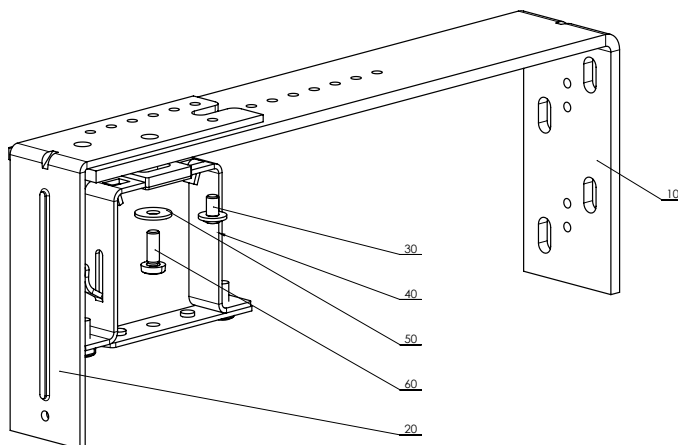
Adjustable double bracket – fixed 206 – 268 mm
P 010/45 (2-01803-0000)



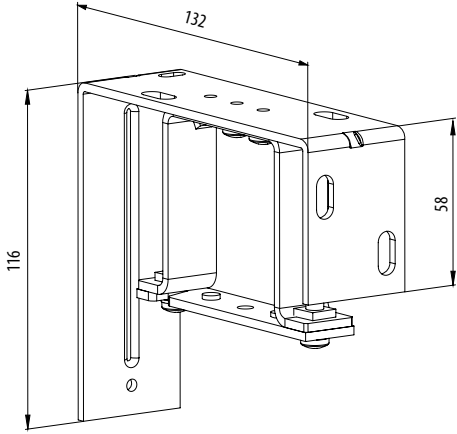
Adjustable double bracket – fixed 256 – 318 mm
P 010/46 (2-01804-0000)



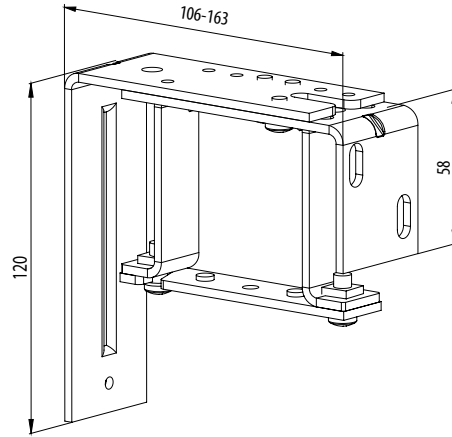
Adjustable double bracket – fixed 306 – 368 mm
P 010/47 (2-01805-0000)



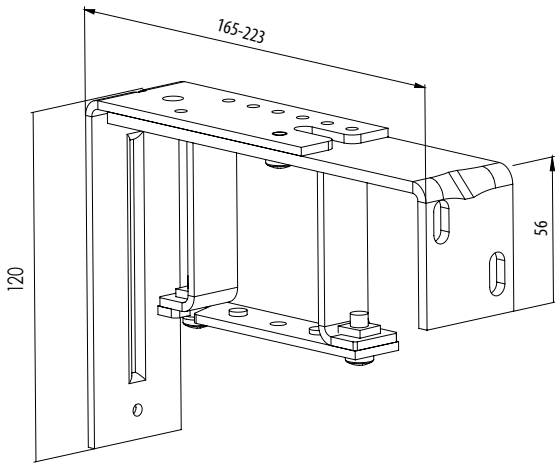
Fixed hanger (inner hanger Al) 132 mm
 P 011 (2-00384)
 (for head rail 58 x 60)



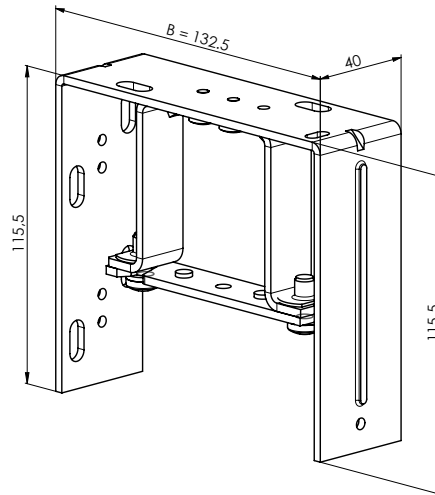
Adjustable hanger (inner hanger Al) 106-163 mm
 P 011/1 (2-00373)
 (for head rail 58 x 60)



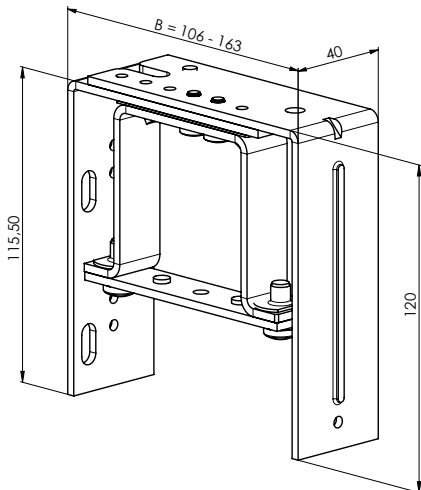
Adjustable hanger (inner hanger Al) 165-223 mm
 P 011/2 (2-00374)
 (for head rail 58 x 60)



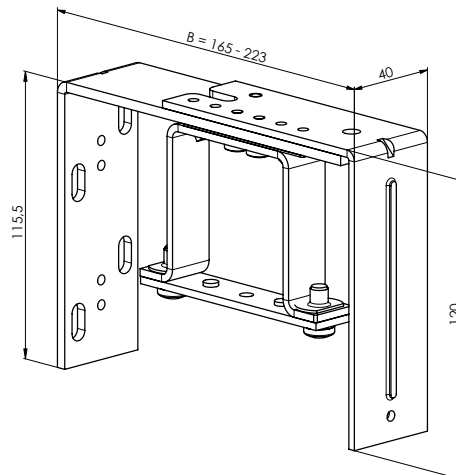
Blind bracket - fixed, with Al bracket 132,5 mm
 P 011/20 (2-01390)
 (for head rail 58 x 60)



Blind bracket - short, adjustable with Al bracket 106-163 mm
 P 011/21 (2-01389)
 (for head rail 58 x 60)



Blind bracket - long, adjustable with Al bracket 165 - 223 mm
 P 011/22 (2-01388)
 (for head rail 58 x 60)

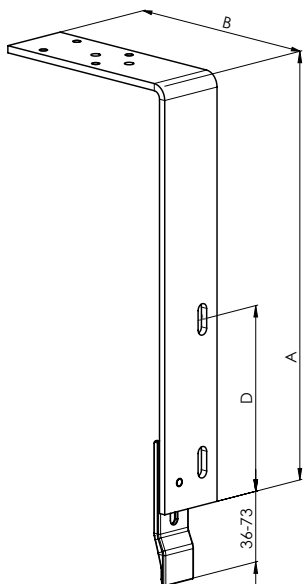


Variable holders

The variable holders are only galvanized as standard, spraying is possible at an additional cost.

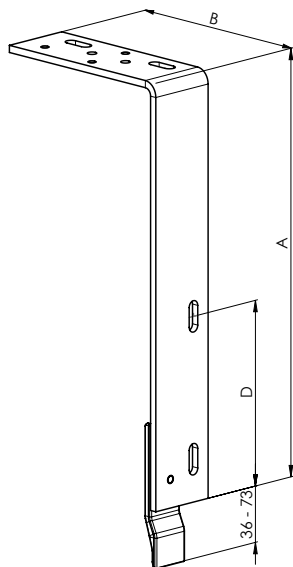
Variable holder P 130/1
2-01416-0000-0

DIMENSION TABLE		
DIMENSION	Min.	Max.
A	150	400
B	110	400
D	110	360



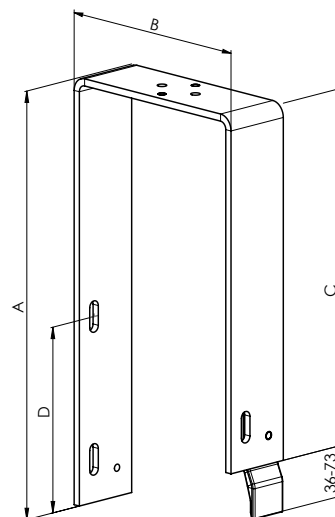
Variable holder P 130/2
2-01417-0000-0

DIMENSION TABLE		
DIMENSION	Min.	Max.
A	170	400
B	230	400
D	110	340



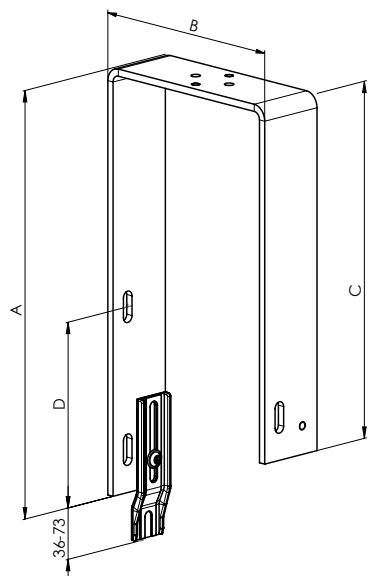
Variable holder P 130/3
2-01418-0000-0

DIMENSION TABLE		
DIMENSION	Min.	Max.
A	160	330
B	100	150
C	130	230
D	110	280



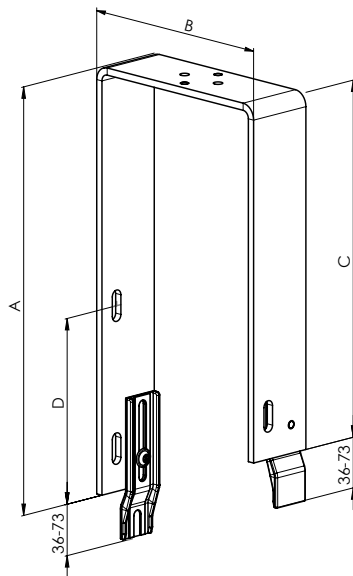
Variable holder P 130/4
2-01419-0000-0

DIMENSION TABLE		
DIMENSION	Min.	Max.
A	160	330
B	100	150
C	130	230
D	110	280



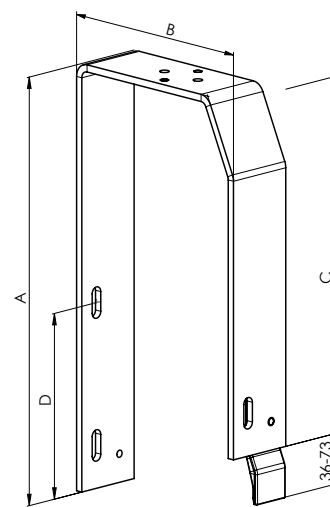
Variable holder P 130/5
2-01420-0000-0

DIMENSION TABLE		
DIMENSION	Min.	Max.
A	160	330
B	100	150
C	130	230
D	110	280



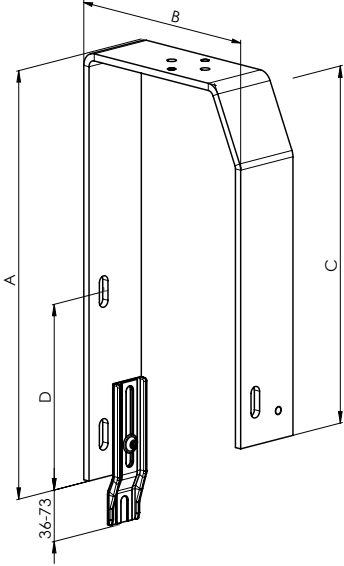
Variable holder P 130/6
2-01421-0000-0

DIMENSION TABLE		
DIMENSION	Min.	Max.
A	160	330
B	110	150
C	130	230
D	110	280



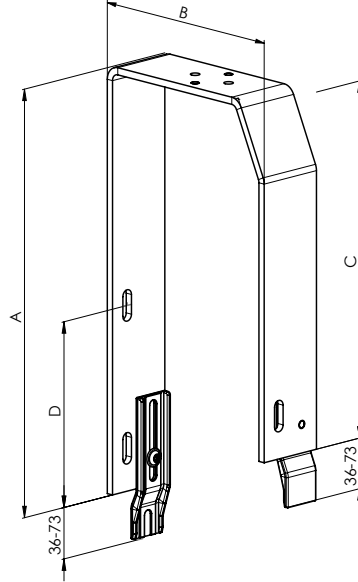
Variable holder P 130/7
2-01422-0000-0

DIMENSION TABLE		
DIMENSION	Min.	Max.
A	160	330
B	110	150
C	130	230
D	110	260



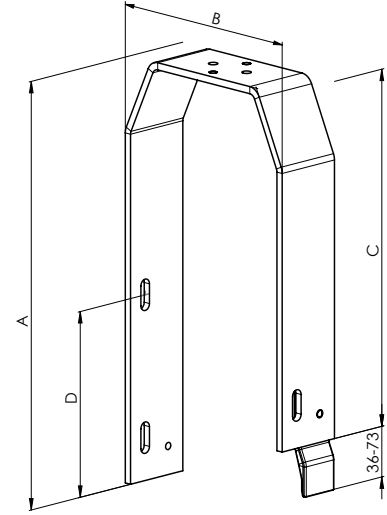
Variable holder P 130/8
2-01423-0000-0

DIMENSION TABLE		
DIMENSION	Min.	Max.
A	160	330
B	110	150
C	130	230
D	110	280



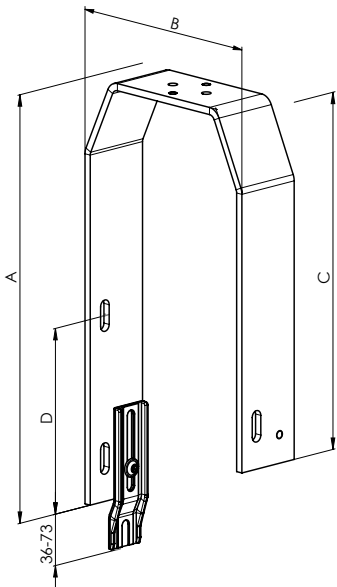
Variable holder P 130/9
2-01424-0000-0

DIMENSION TABLE		
DIMENSION	Min.	Max.
A	180	330
B	110	150
C	130	230
D	110	260



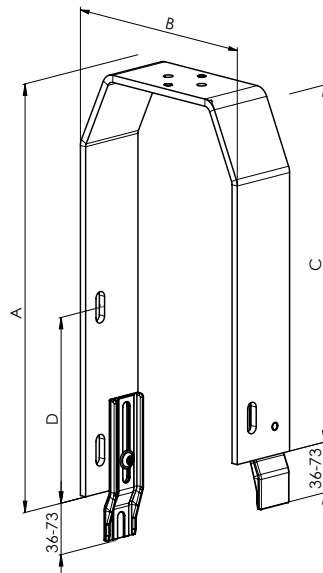
Variable holder P 130/10
2-01425-0000-0

DIMENSION TABLE		
DIMENSION	Min.	Max.
A	180	330
B	110	150
C	130	230
D	110	260



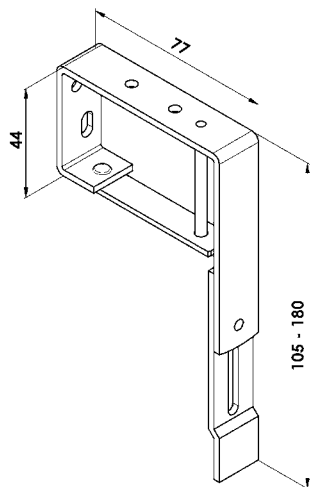
Variable holder P 130/11
2-01426-0000-0

DIMENSION TABLE		
DIMENSION	Min.	Max.
A	180	330
B	110	150
C	130	230
D	110	260

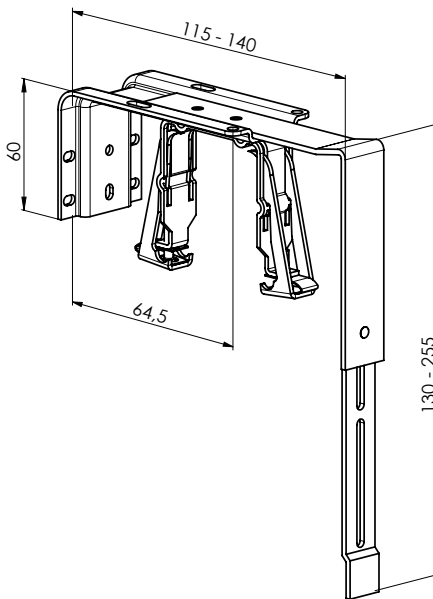


Holders KBT1-12

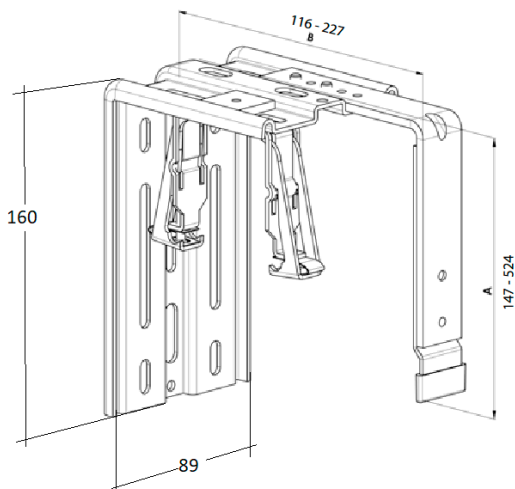
Blind bracket - mechanical KBT01, Fe (105-180)
 P008_KBT1 (6-010604-0001)
 (for head rail 40 x 40)



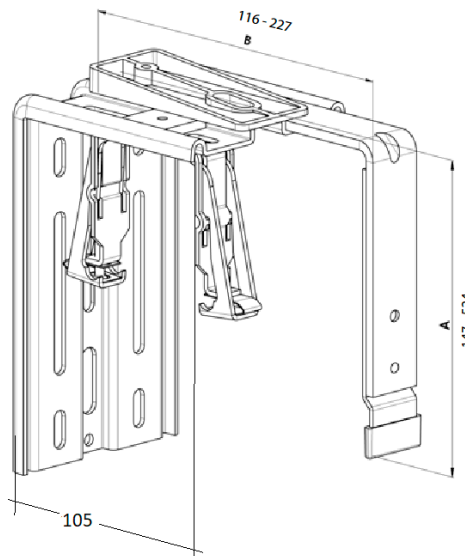
Blind bracket - mechanical KBT02, Fe (130-255)
 P 008_KBT2 (6-010604-0002)
 (for head rail 56 x 58)



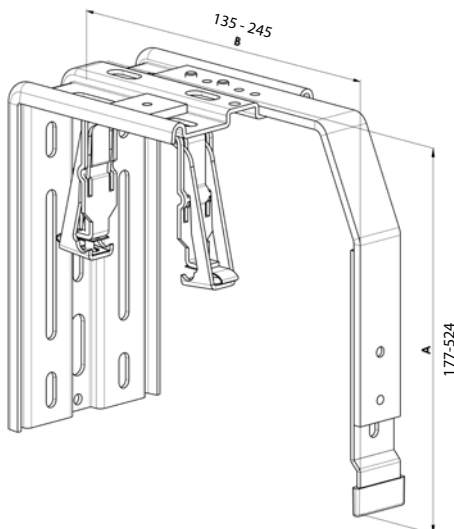
KBT3/1 (B=116-169; A=147-524)
 KBT3/2 (B=170-227; A=147-524)
 (for head rail 56 x 58)



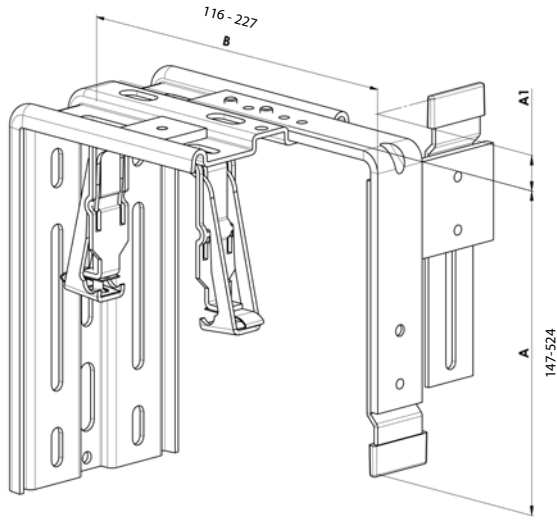
KBT4/1 (B=116-169; A=147-524)
 KBT4/2 (B=170-227; A=147-524)
 (for head rail 56 x 58)



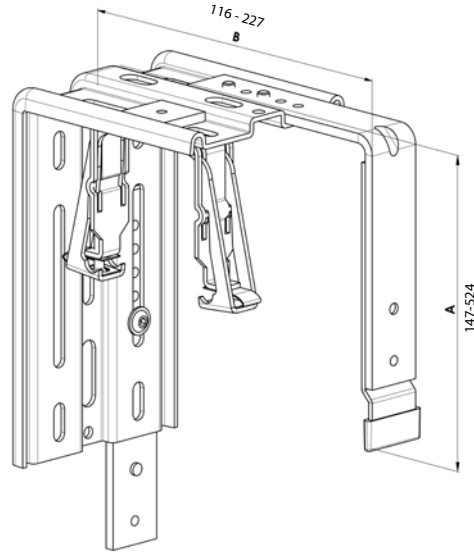
KBT5/1 (B=135-190; A=177-524)
 KBT5/2 (B=191-524; A=177-524)
 (for head rail 56 x 58)



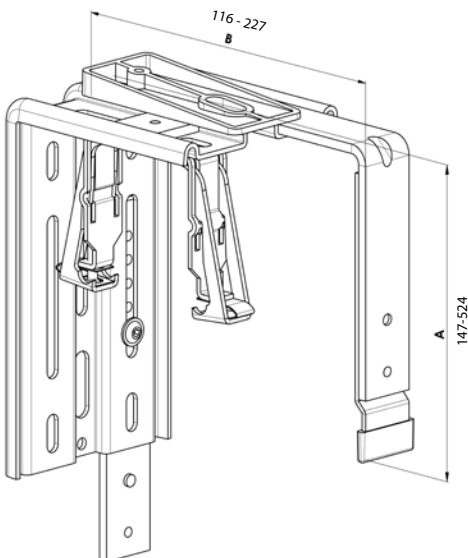
KBT7/11 (B=116-169; A=147-524; A1=28-83)
 KBT7/12 (B=116-169; A=147-524; A1=84-138)
 KBT7/13 (B=116-169; A=147-524; A1=139-193)
 KBT7/21 (B=170-227; A=147-524; A1=28-83)
 KBT7/22 (B=170-227; A=147-524; A1=84-138)
 KBT7/23 (B=170-227; A=147-524; A1=139-193)
 (for head rail 56 x 58)



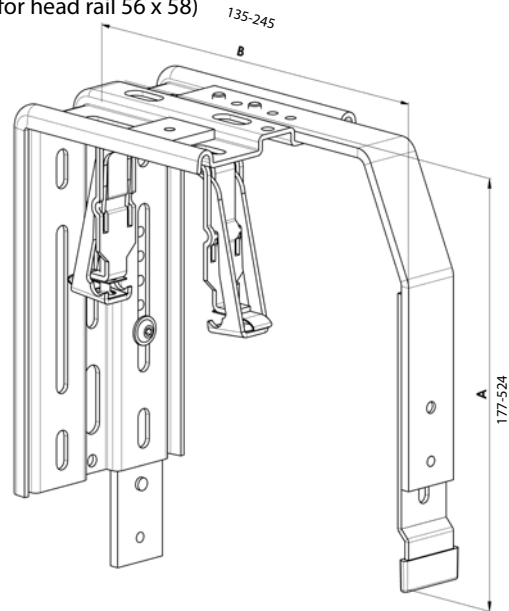
KBT8/1 (B=116-169; A=147-524)
 KBT8/2 (B=170-227; A=147-524)
 (for head rail 56 x 58)



KBT4/1 (B=116-169; A=147-524)
 KBT4/2 (B=170-227; A=147-524)
 (for head rail 56 x 58)

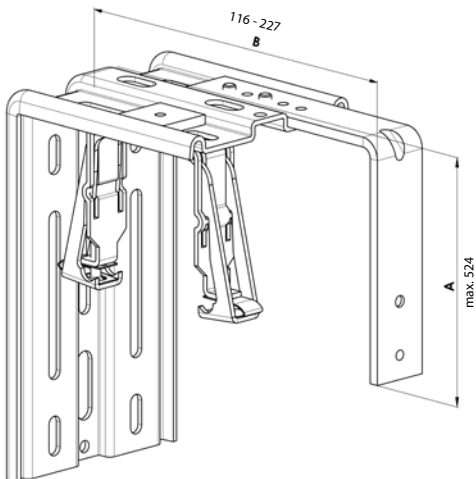


KBT3/1 (B=116-169; A=147-524)
 KBT3/2 (B=170-227; A=147-524)
 (for head rail 56 x 58)

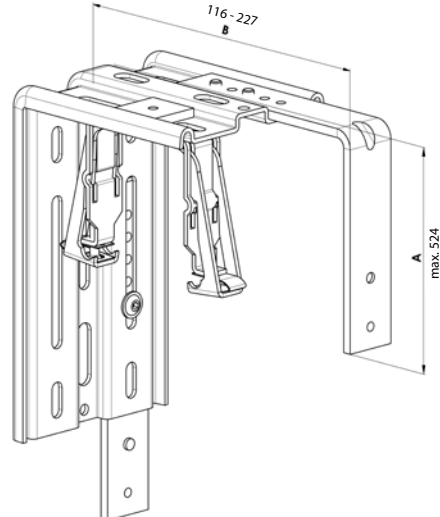


Holders for Applications under Plastering (for atypical designs of front covers)

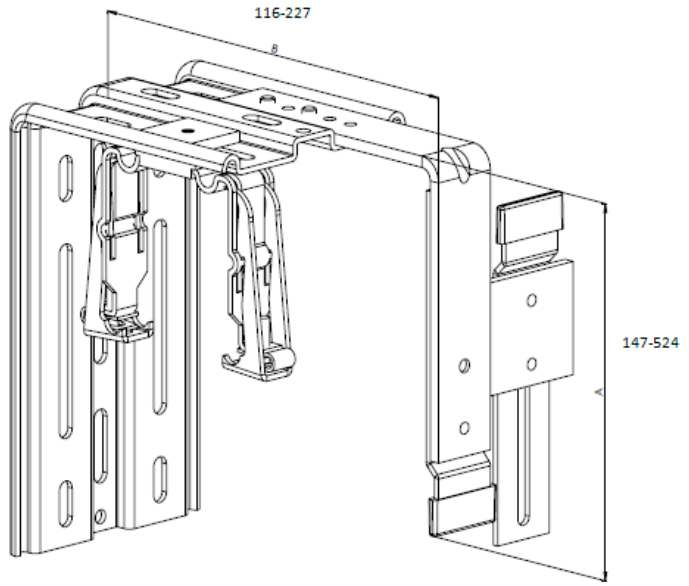
KBT6/1 (B=116-169; A=precise)
 KBT6/2 (B=170-227; A=precise)
 (for head rail 56 x 58)



KBT11/1 (B=116-169; A=precise)
 KBT11/2 (B=170-227; A=precise)
 (for head rail 56 x 58)



KBT 12/11 (B=116-227; A=147-524)



Technical Specification

Slats

Control

Guidance

Blinds Holders

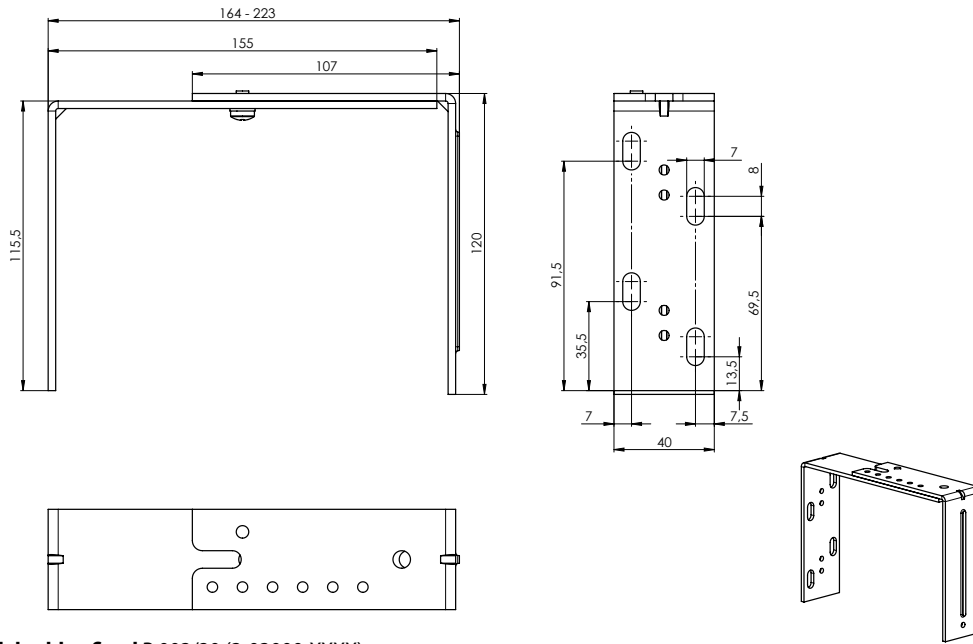
Front Covers

Measurement and Assembly

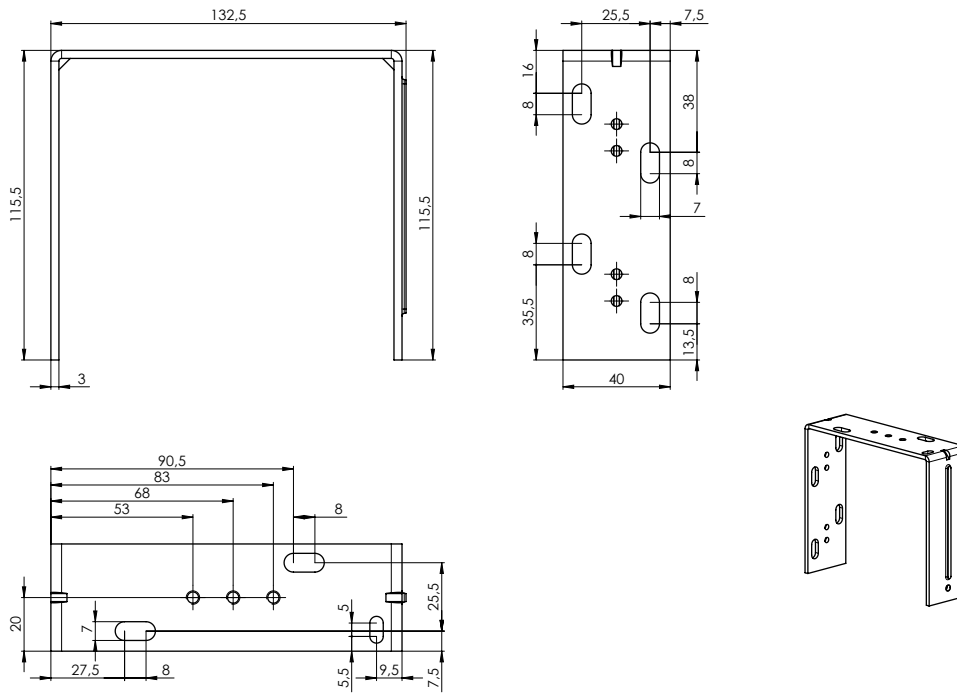
Alternative Designs

Special Designs

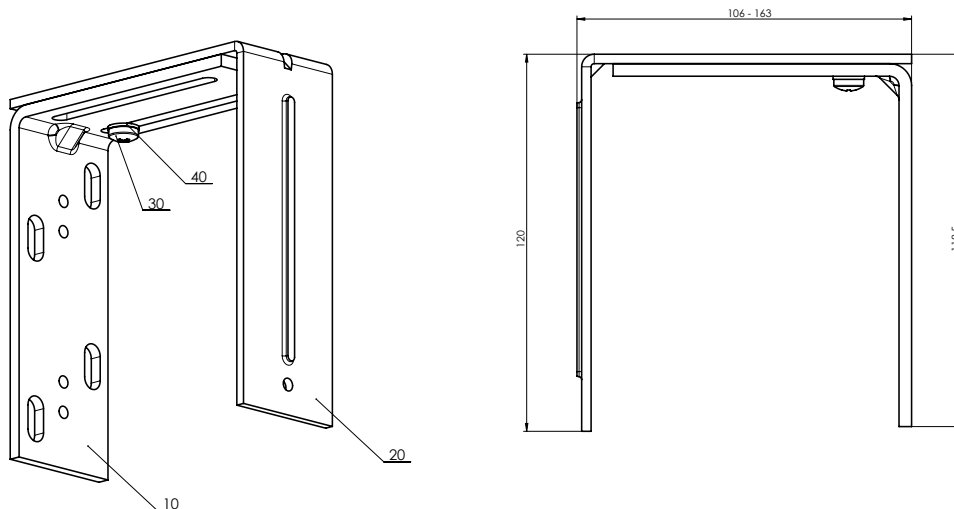
Hanger of head rail double - adjustable P 003/22 (2-01347-XXXX)



Hanger of head rail double - fixed P 003/20 (3-03000-XXXX)



Hanger of head rail double - short P 003/21 (2-01346-XXXX)



Deduction of brackets

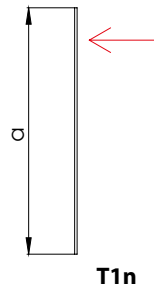
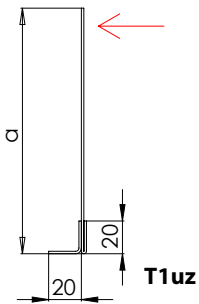
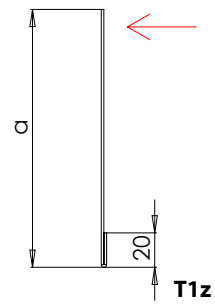
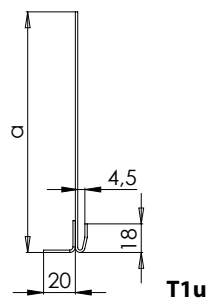
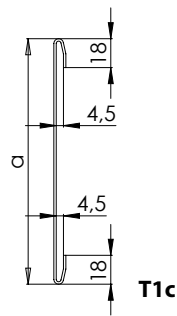
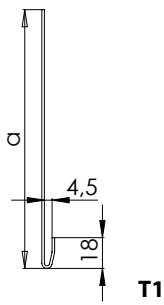
Bracket type	Distance V1 [mm]	Bracket type	Distance V1 [mm]
P512	2	P010/42	18
P513	2	P010/43	18
P512/6	7	P010/44	18
P002	7,5	P010/45	19
P002/10	11	P010/46	19
P002/11	12	P010/47	19
P002/31	17,5	P011	15
P002/32	11	P011/1	18
P009	13	P011/2	19
P009/1	16	P011/20	15
P009/2	17	P011/21	18
P009/20	13	P011/22	19
P009/21	16	Variable brackets+P512	7
P009/22	17	Variable brackets+P513	7
P010	14	Variable brackets+P512/6	12
P010/1	17	Variable brackets+P002	12,5
P010/2	18	Variable brackets+P002/10	16
P010/20	14	Variable brackets+P002/11	17
P010/21	17	Variable brackets+P002/31	22,5
P010/22	18	Variable brackets+P002/32	16
P010/30	17	KBT01	2,5
P010/31	17	KBT02	11,5
P010/32	17	KBT3	18
P010/33	18	KBT4	28
P010/34	18	KBT5	18
P010/35	18	KBT6	18
P010/36	18	KBT7	18
P010/37	18	KBT8	18
P010/38	18	KBT9	28
P010/39	19	KBT10	18
P010/40	19	KBT11	18
P010/41	19	STS FIX	18

Use of holders for respective front cover types

KBT Holders	Front cover					
	KBT1	T2	T3	T2u	T3u	
KBT2	T2	T3	T2u	T3u		
KBT3	T1	T1u	T2	T3	T2u	T3u
KBT4	T2s	T3s				
KBT5	T2b	T2r	T3b	T3r		
KBT6	atypical cover					
KBT7	T1c					
KBT8	T4	T4c	T4r	T4u; T4u/x	T4d; T4d/x	
KBT9	T4s					
KBT10	T4b					
KBT11	atypical cover					

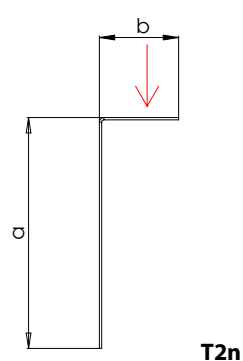
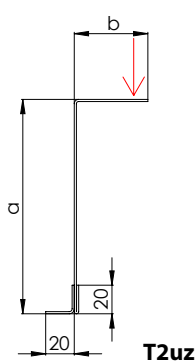
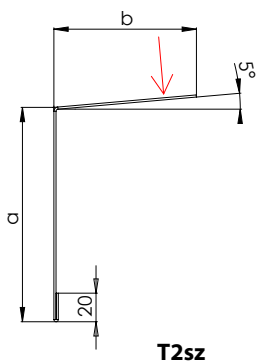
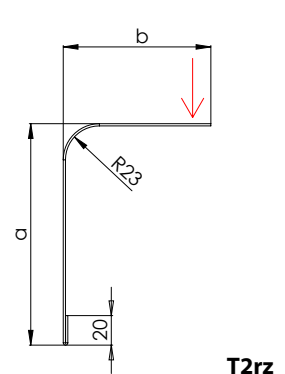
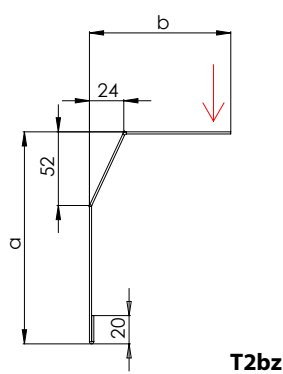
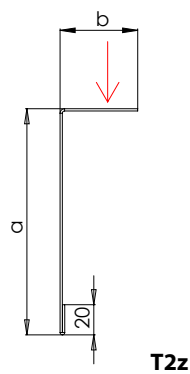
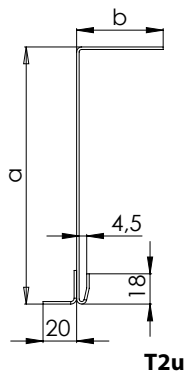
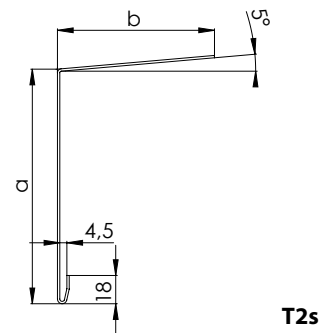
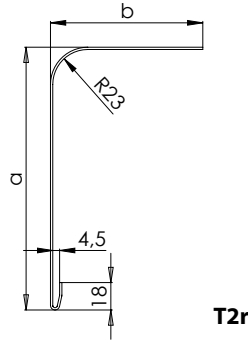
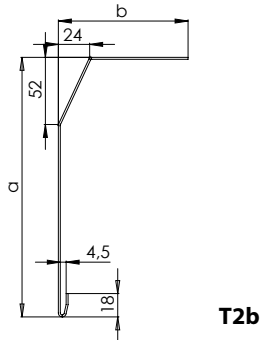
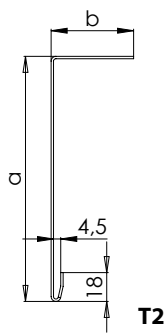
Types of Front Covers

Front Covers type T1

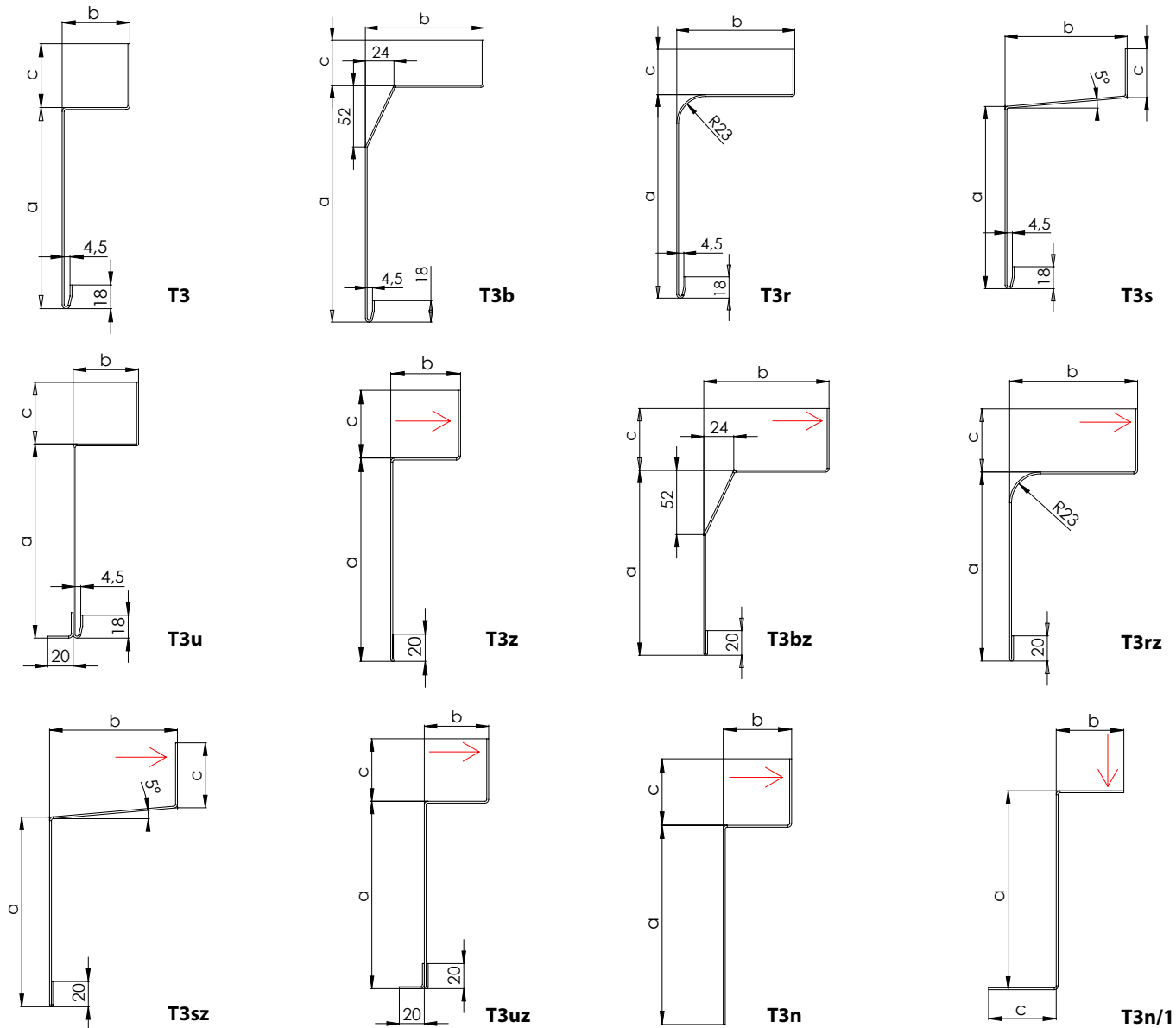


Note: Dimensional tolerances for input values a, b, c, d = +/- 2 mm
 We recommend a minimum front cover width of 140 mm for exterior blinds Cetta 80 zig-zag, Zetta 90, Setta 90 and Cetta 100 Flexi with underplaster installation.
 Minimum value of dimension B = 12 mm
 Note: The arrows in some front cover indicate where the holes for hanging the cover sheet during painting are created.
 Holes for hanging during painting are drilled 50 cm apart for T1n, T2n and T3n cover plates due to possible bending within the entire painting process.
 *For T4n, T4d/1, T4d/2 cover plates, the drilling is identical - if dimensions a - c are smaller than 100 mm.

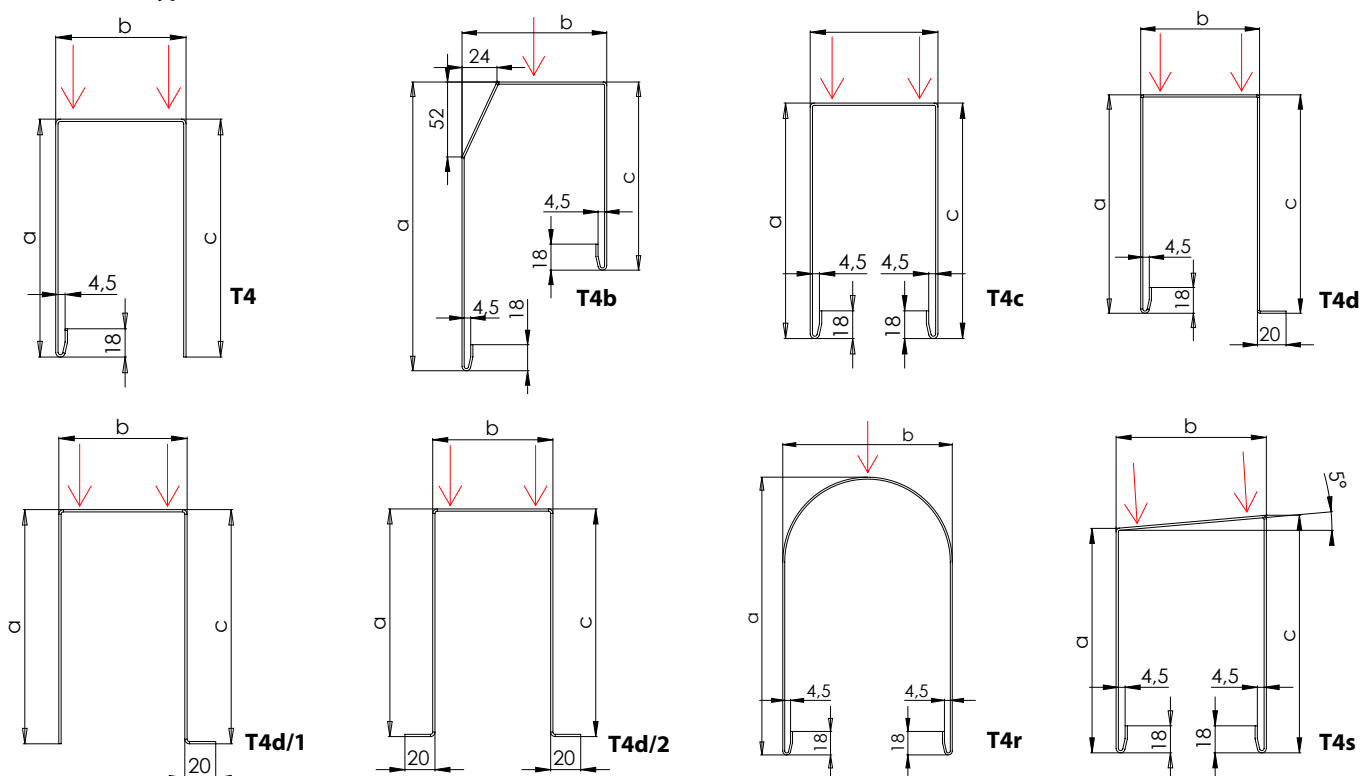
Front Covers type T2



Front Covers type T3

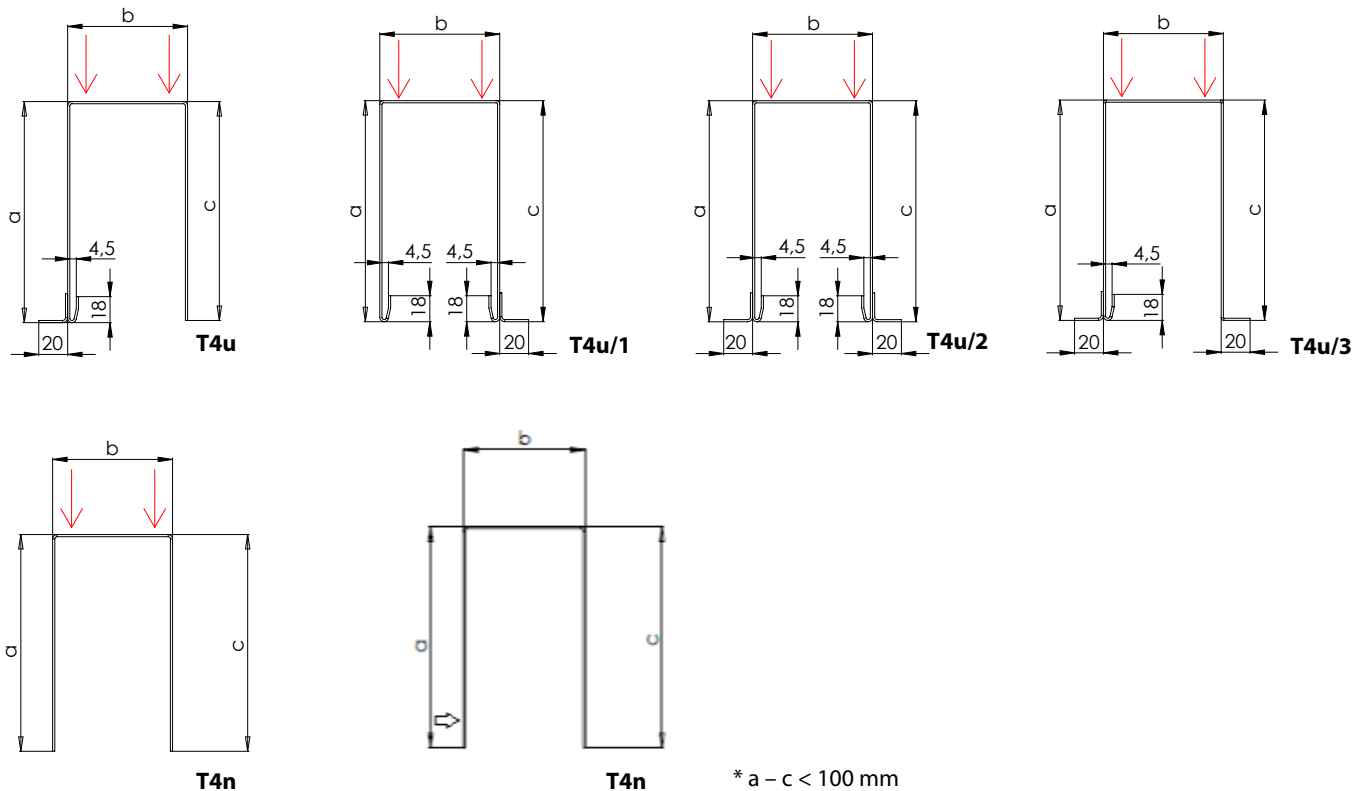


Front Covers type T4



* a - c < 100 mm

* a - c < 100 mm



Length expansion of cover plates

When the temperature of aluminium goes up, the metal expands; this phenomenon is called thermal expansion. The coefficient of thermal expansion of aluminium alloy is $23.5 \mu\text{m}/(\text{m} \cdot \text{K})$.

Example:

At a temperature of 20°C , the cover plate measures 4000 mm, if it is heated to a temperature of 50°C - on a sunny day, it will subsequently measure 4003 mm due to thermal expansion. As a result of the change in aluminium temperature, there will be an increase in length of +3 mm. When installing the cover plate in the surrounding buildings, it is important to take into account that there may be dimensional changes of the cover plate with respect to the ambient temperature.

When focusing on positioning options, it is important to consider the thermal expansion of the aluminium profile in relation to the temperature of the surrounding environment. We recommend positioning at an ambient temperature of $+23$ through -5°C .

Number of Exterior Blind Holders Based on Width (mm)

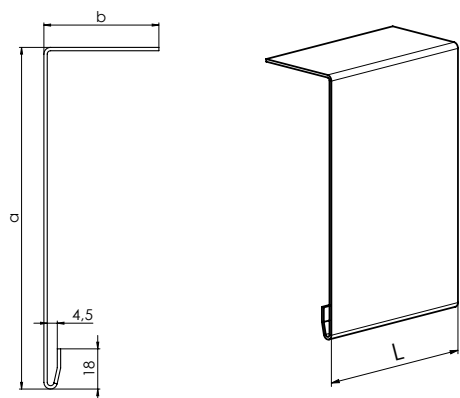
Blind Width (mm)	(Pcs.)
to 1599	2
from 1600 to 2399	3
from 2400 to 3199	4
from 3200 to 6000	5

For arrangement of holders, consider the following:

- maximum distance between two holders
- motor cable outlet
- symmetry of both holders (identical outer distance) and central holder

Warning: Installation of the holders must be carried out on a base without vibrations in order to minimize the transmission of produced sound.

Front Cover



Ordering dimension of front cover

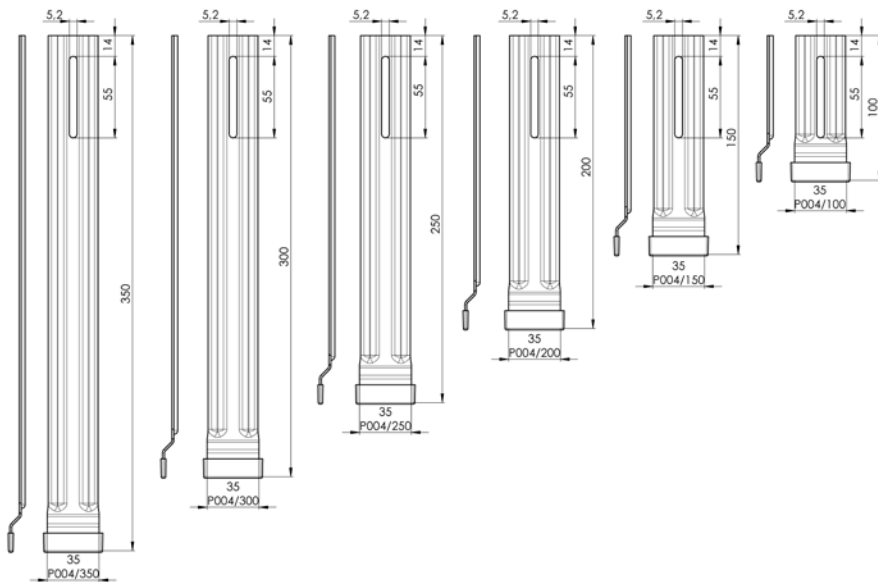
Material:
Thickness:
Maximum length of front cover without joint:
Unwound width of cover plate:
Color:

Al
1,5 mm / 2 mm*
4000 mm
 $L = a + b + c$
any color according to RAL scheme

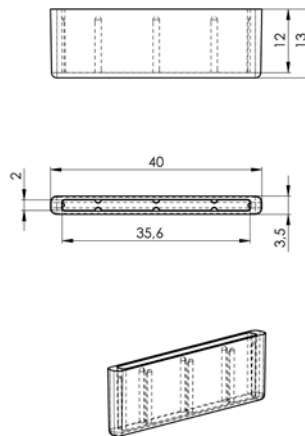
The side cover of the front cover is supplied upon customer's request.

*recommended thickness for width over 2500 mm

Variable holder with cap



Extension cap of Top front cover (3-03083-0000)



Extension Based on Front Cover Height

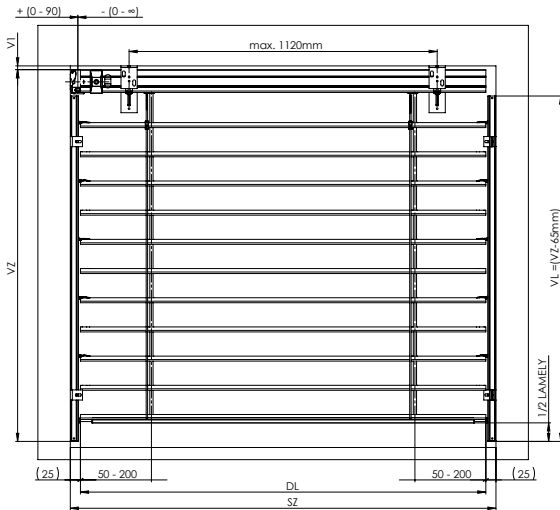
Type	Dimension "A"
P 004/100	140 - 190 mm
P 004/150	191 - 240 mm
P 004/200	241 - 290 mm
P 004/250	291 - 340 mm
P 004/300	341 - 390 mm
P 004/350	391 - 440 mm

Measurement

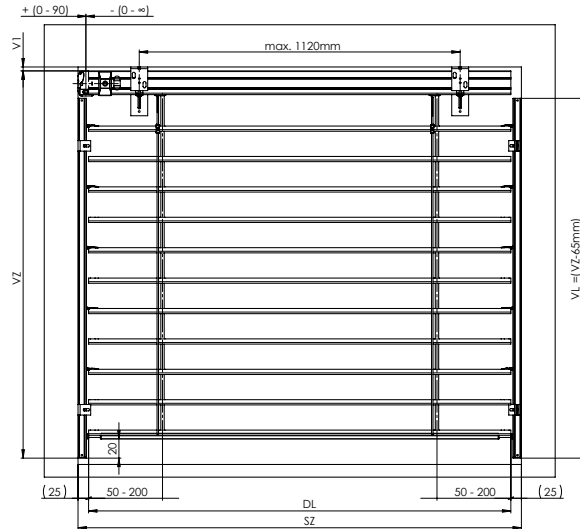
Measurement of the Standard Blind

Both width and height is always to be measured in three points. The manufacturing dimension of the exterior blind is always the smallest measured value. Always carry out measuring after the frame is fitted in the construction aperture, event. window after the internal and external reveals are completed, including parapets.

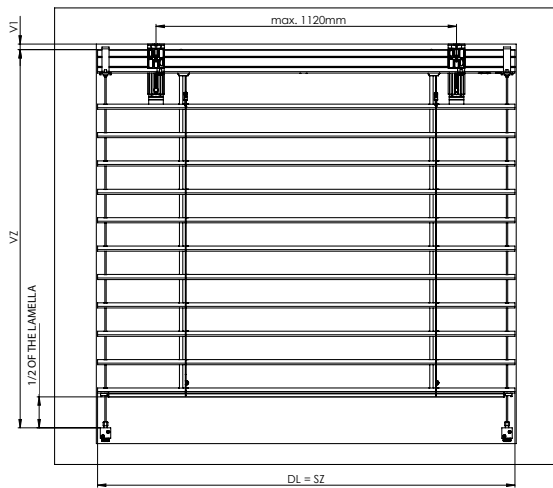
The method of measuring the exterior blinds is such a specific matter that we recommend always consulting the technical aspects on the site. There are other specific solutions available, as well.



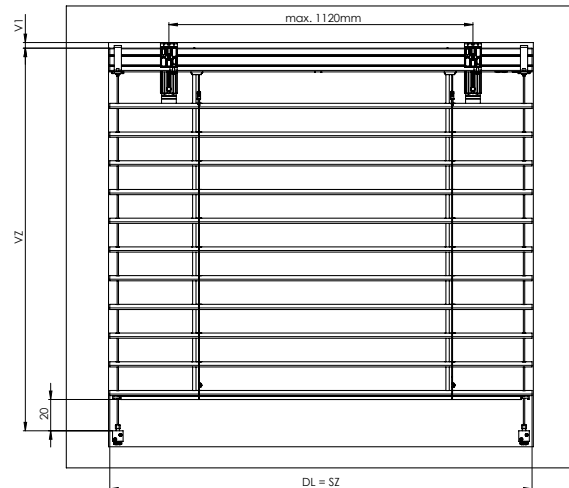
Guidance – guiding channel - perpendicular



Guidance – guiding channel – non perpendicular



Guidance – wire - perpendicular



Guidance – wire – non perpendicular

- SZ - width of the blind
- VZ - height of the blind
- DL - length of the lamella
- DVL – guide axis (blind axis)
- VL - length of the guiding bar
- V1 - height by the holder type (see page 92)
- VL = VZ – 65 mm
- VP – packet height

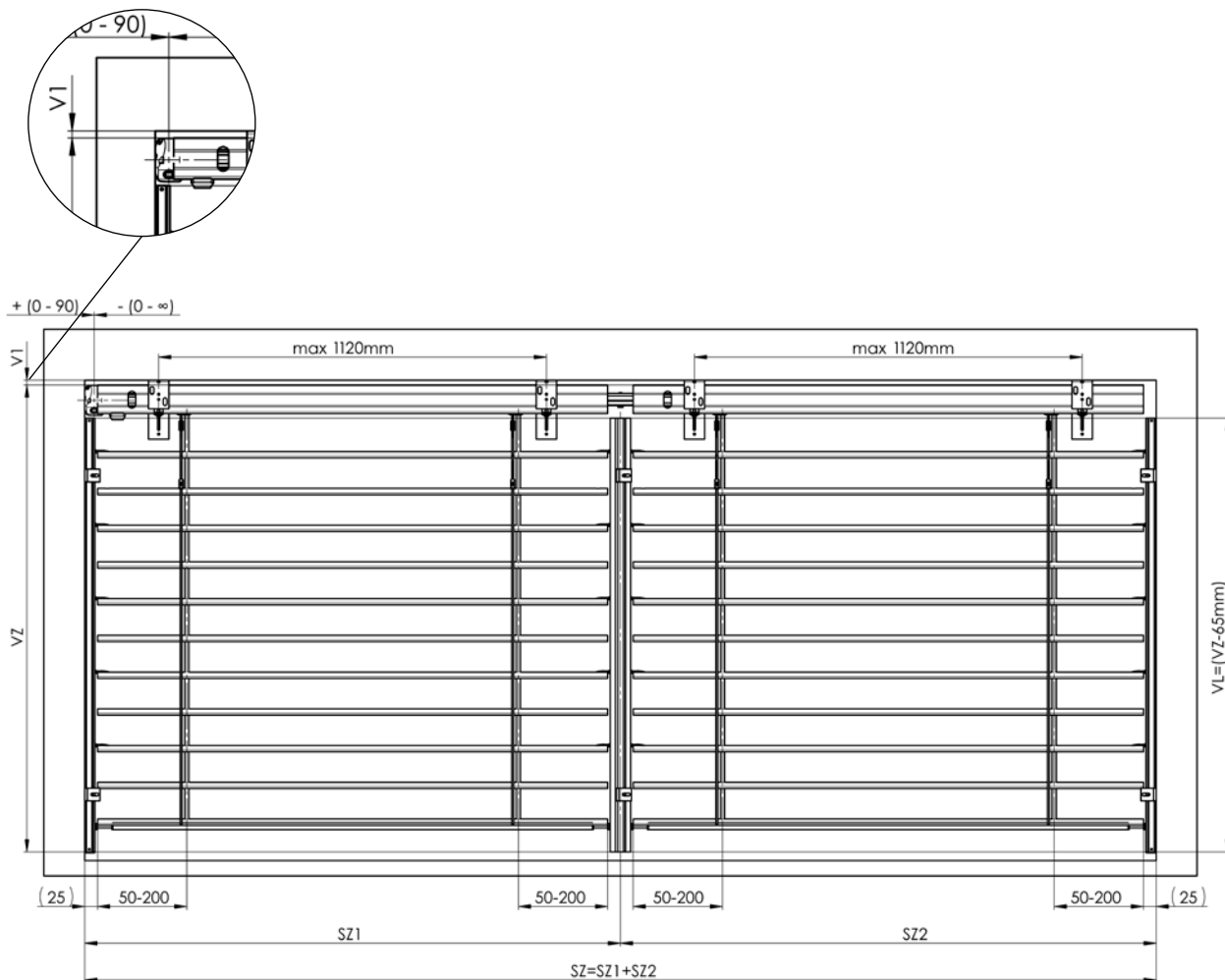
In the case of control by the engine, the upper profile is shortened by 5 mm. If it is controlled by handle, the length of the profile depends on the shift of the gearbox. The position of the gearbox (possible shift) in the upper profile depends on the actual fitting of the window frame, reveal. The ladder span depends on the choice of the control (it varies within the range of 50 – 200 mm).

ATTENTION! For sloped blinds always specify all possible sizes (width, bigger drop, smaller drop, hypotenuse length). Sloped blinds are produced only with motor control and wire guiding which needs specific tensioning (see amendment of this manual)

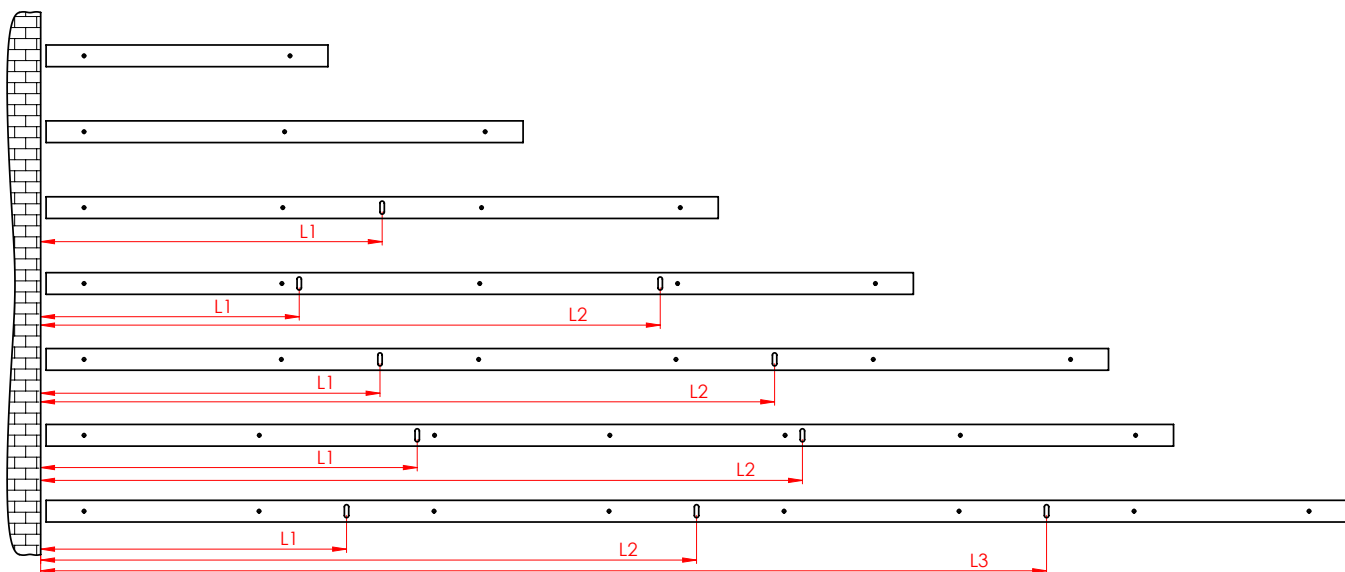
The space between the bottom edge of head rail 56/58 and the first slat in closed position

Cetta 60 Flexi	41 - 93 mm
Cetta 65	32 - 92 mm
Cetta 80	35 - 103 mm
Cetta 80 Flexi	38 - 106 mm
Cetta 100 Flexi	85 - 169 mm
Zetta 70	44 - 104 mm
Zetta 90	62 - 142 mm
Setta 65	44 - 104 mm
Setta 90	66 - 152 mm

Connected Blind Measuring



Standards for arrangement of additional guide cord



Standard Exterior Blind Assembly Procedure

The assembly may only be performed by a qualified professional employee!

Construction preparedness for the assembly:

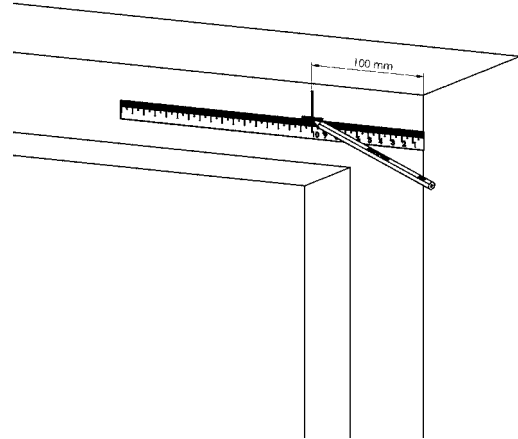
- finished reveal, coloured facade, finished outside parapets

INSPECTION:

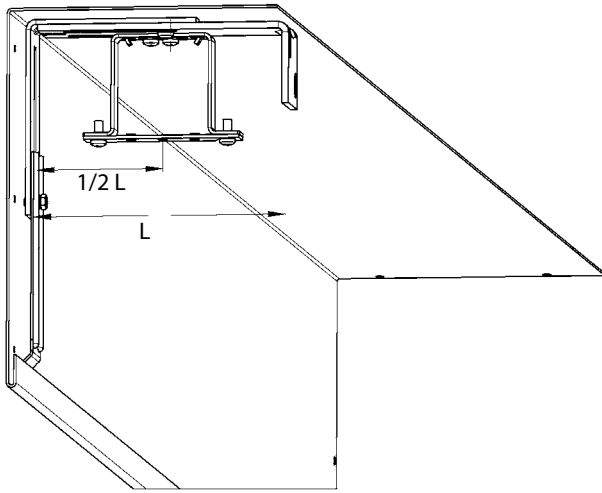
- Before assembly we recommend inspecting all the parts after the delivery of the goods to prevent any problems. The manufacturer must be notified of any defects or comments concerning the assembly or blinds.

ASSEMBLY TOOLS:

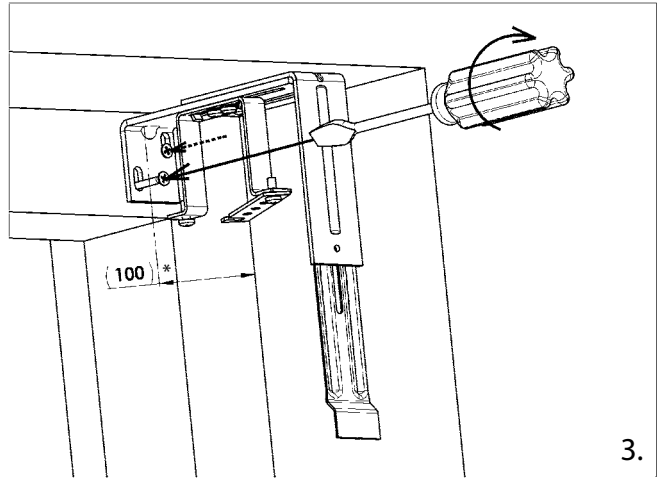
1. Tape measure
2. Water gauge
3. Pencil
4. Hammer
5. Electric drill as per the source material
6. Cordless electric drill
7. Magnetic adapter
8. Bits PZ2, PH2, magnetic adapter on hexagonal head 8 and 10
9. set of Allen wrenches
10. Assembly cable
11. Small ratchet wrench and 8 nut
12. Female screw spanner No. 10 and 13
13. Set of screwdrivers, insulated, electric



1.

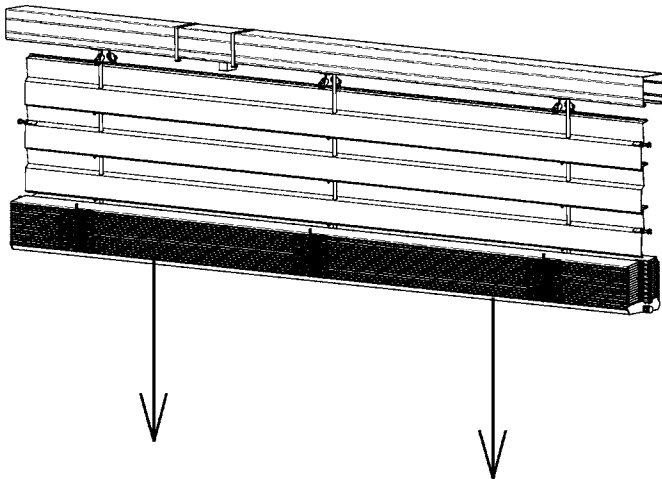


2.

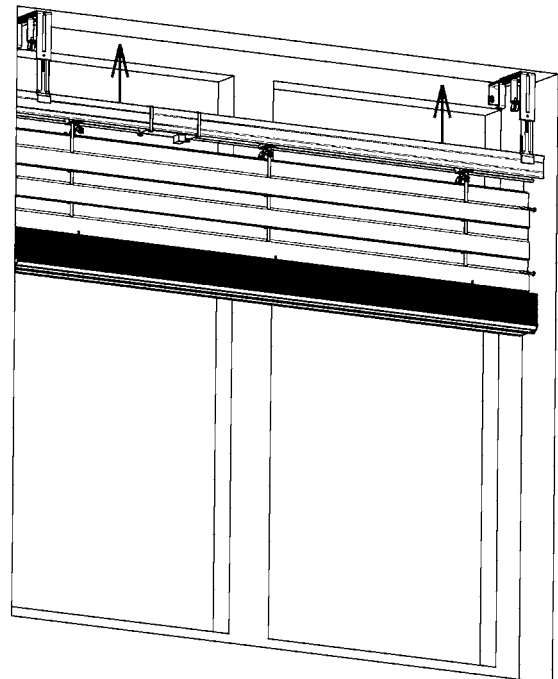


3.

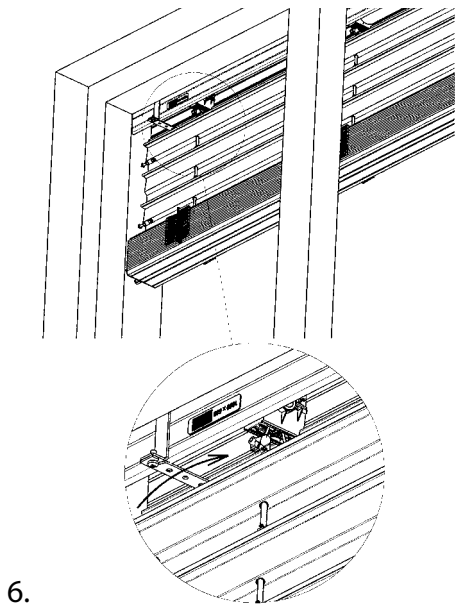
* For motor blinds with a width less than 800mm – the value may vary.



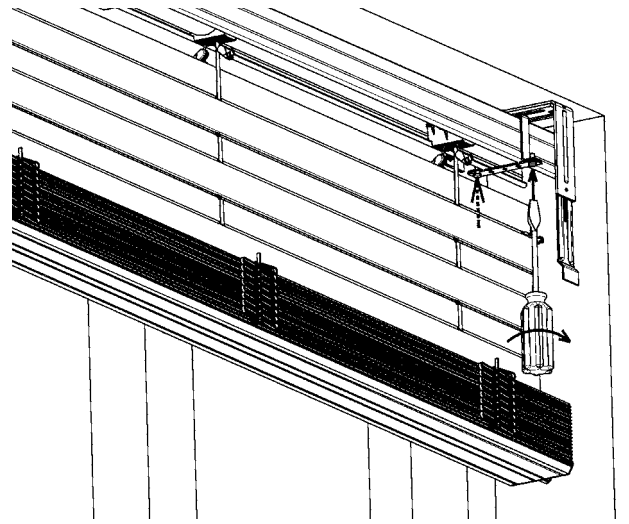
4.



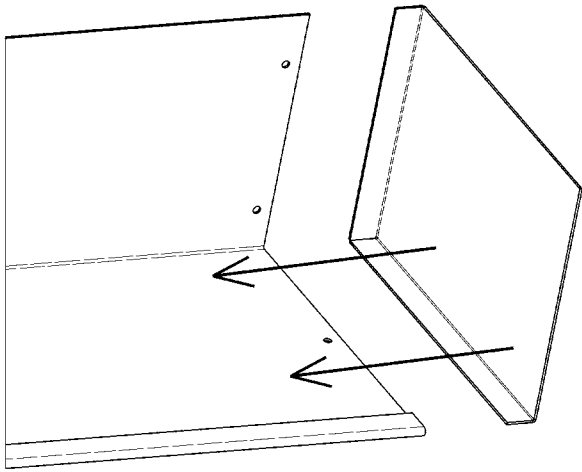
5.



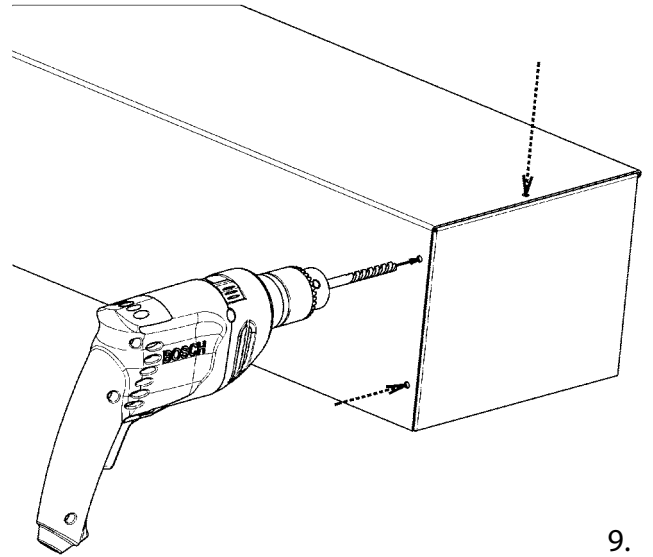
6.



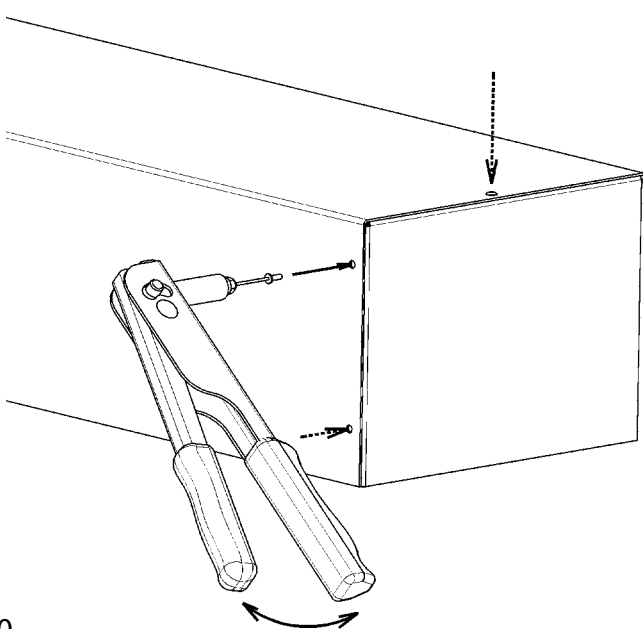
7.



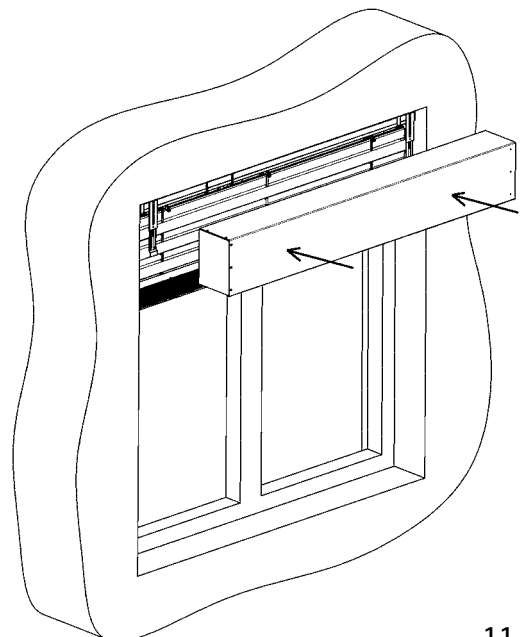
8.



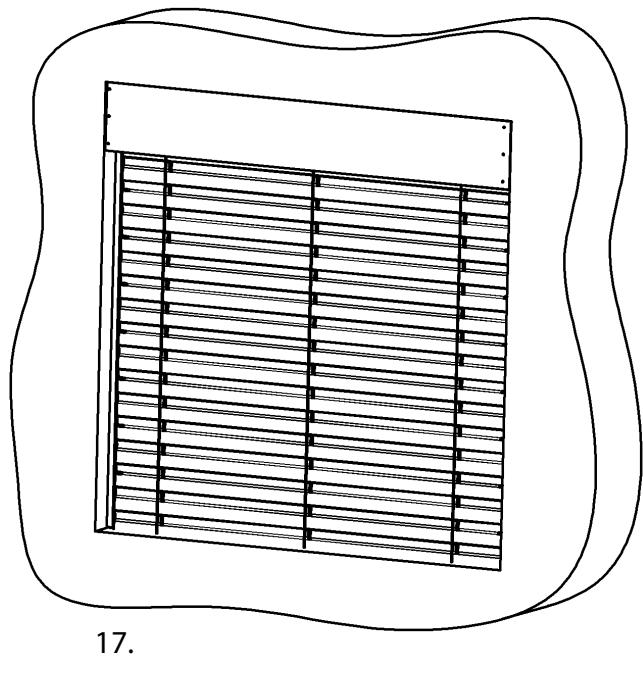
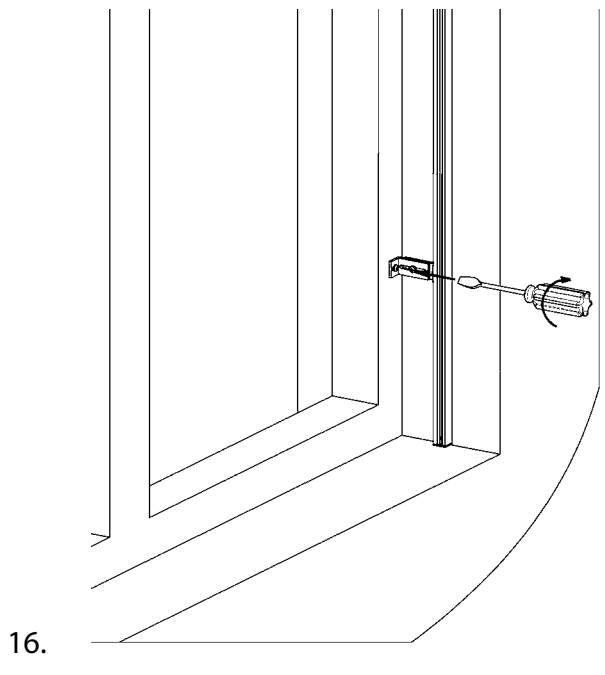
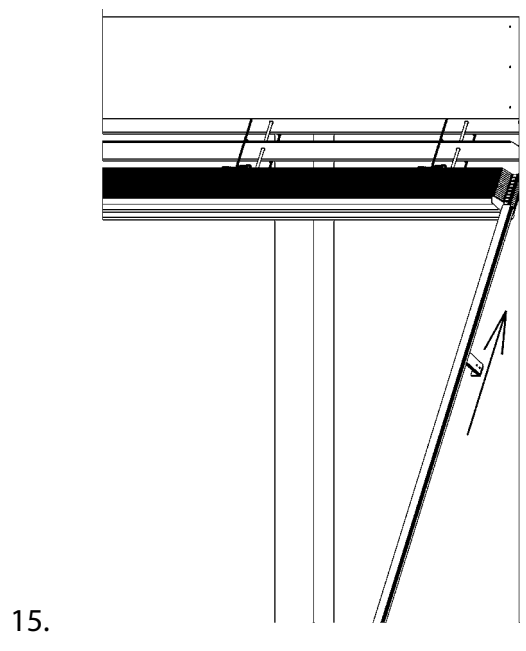
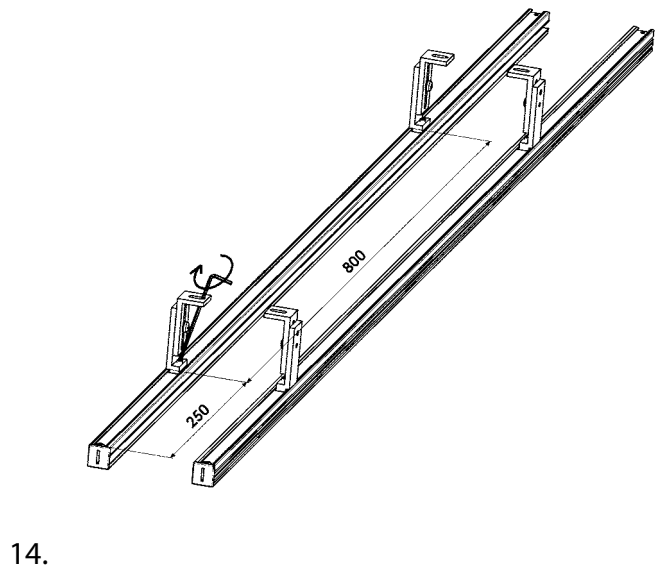
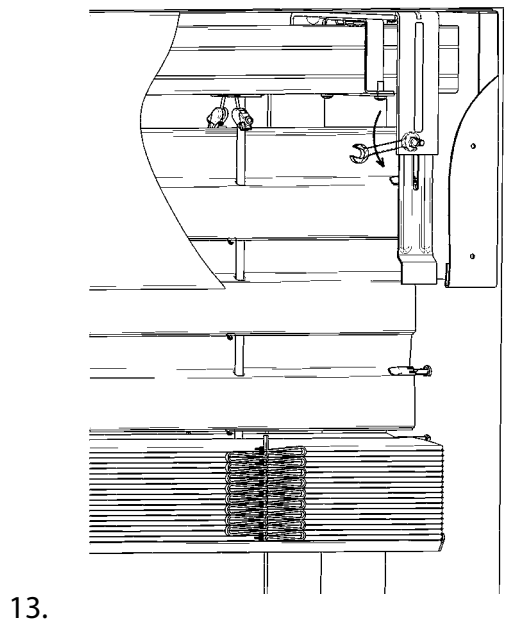
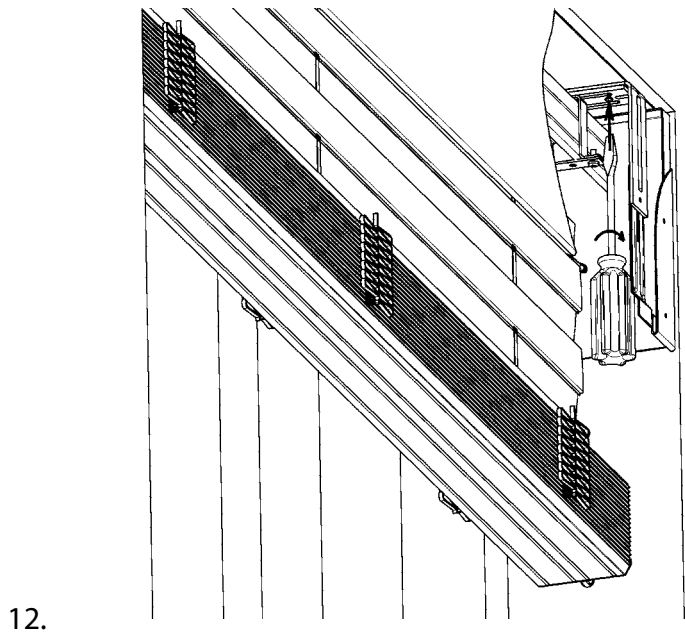
9.



10.

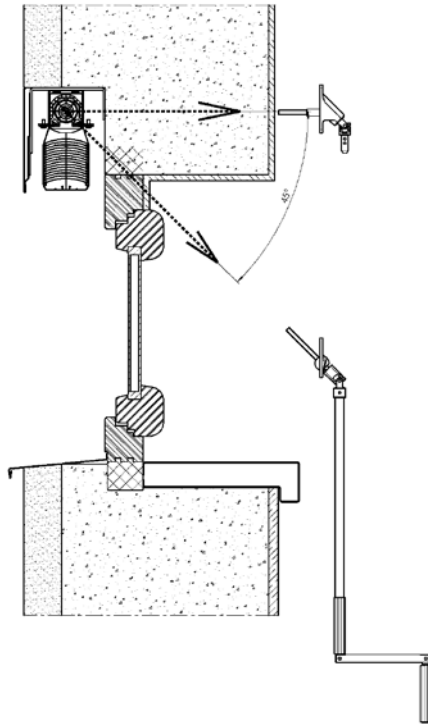


11.

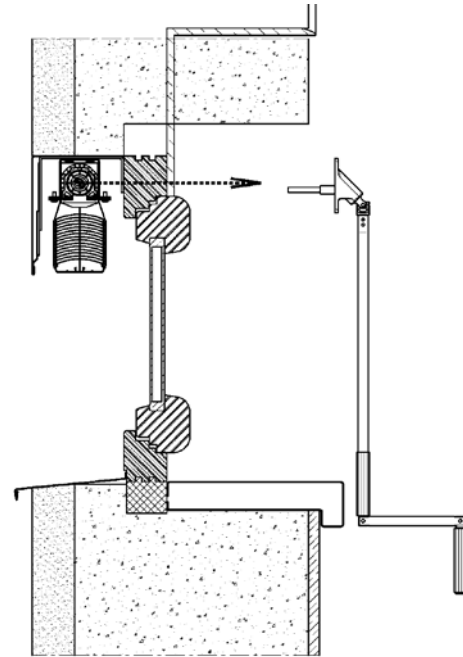


Basic types of assembly

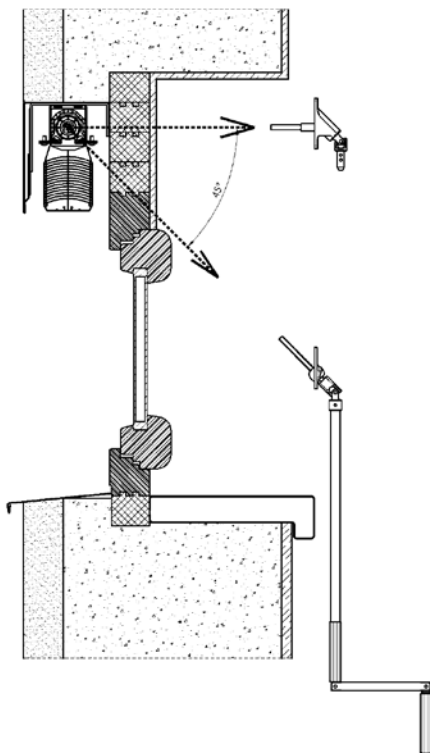
Assembly of the blind into the created pocket (ceiling/wall)



Assembly of the blind into the reveal on the window frame (ceiling/wall)



Assembly of the blind into the reveal on the expansion frame (ceiling/wall)



There are two alternatives for all three basic assembly types:

a) Cover box

ASSEMBLY PROCEDURE:

1. Measure the hole and compare with already prepared blind, check the control mechanism.
2. Allocate the blind holders so they do not interfere with the cloth strips.
3. Fix the holders horizontally.
4. Insert the blind into the sleeves in the holders and secure. Do not tighten screws for the sleeves.
5. Prepare the passage for control using the handle or the cord. If there is an electric control, connect the socket.
6. From the inside passage attach the handle; if the drift is long, shorten it to the necessary length. Stretch the endless cord through the created hole. Attach the cover for the passage of the cord.
7. Tighten the screws on the sleeves in the holders.
8. On the lamella guides attach the guiding bars which are already fitted with the holders for the guiding bars and attach them on the window frame or into the reveal (for assembly into the reveals, the guiding bar holders are not used and the guiding bar is attached through the holes created in the body of the guiding bar). The guiding bars must be attached in the middle of the upper profile of the blind.
9. Lower the blind into the lower position (attach the holders for wires if the blind has wire guided lamellas). At the same time, check that the guiding bars or wires do not clamp the lamellas. Check the vertical position of the guiding bars.
10. When the lamellas are tilted, attach the cover box to the holders, insert the prolongation of the holder (tighten the fixation screw) into the pocket created on the cover metal sheet and secure the cover sheet using the screw through the hole in the holder for the blind.
11. The blind driven by the engine can be inspected using the assembly cable or adjust the end positions of the engine and the connection to the supply cable.
12. Fix the holders of the handle in the interior. Connect the control switch according to the connection diagram supplied.

b) The cover box incorporated into the heat-insulation system or the peripheral shell

ASSEMBLY PROCEDURE:

1. Attach the blind holders.
2. Attach the cover sheet (can also be with side parts), insert the prolongation for the holder (tighten the fixation screw) into the pocket created in the cover sheet and secure through the hole in the holder with the screw (texem).
3. Drill the passage for control by the handle.

After heat insulation or production of the peripheral shell, the assembly of the blind is according to the previous manual.

Note:

For correct guiding wire tensioning follow the process below:

1. After choosing the correct position of wire guiding bracket and its screwing it is necessary to release the plastic housing with female screw up to edge of the tensioning screw thread (unscrew).
2. Put the wire through the tensioning screw.
3. Push the whole tensioning mechanism upwards to the bracket body, hold the wire in slightly tensioned position and fix it with M4 screw with cross-point screwdriver.
4. Turn the plastic housing by 3-4 turns and tension the wire. Remove the waste wire below the bracket.

It is necessary to keep prestressed 2mm tolerance between upper part of wire bracket and lower part of tensioning screw.

By following the above steps you will assure correct wire guiding tension.

Alternative Designs of Exterior blinds



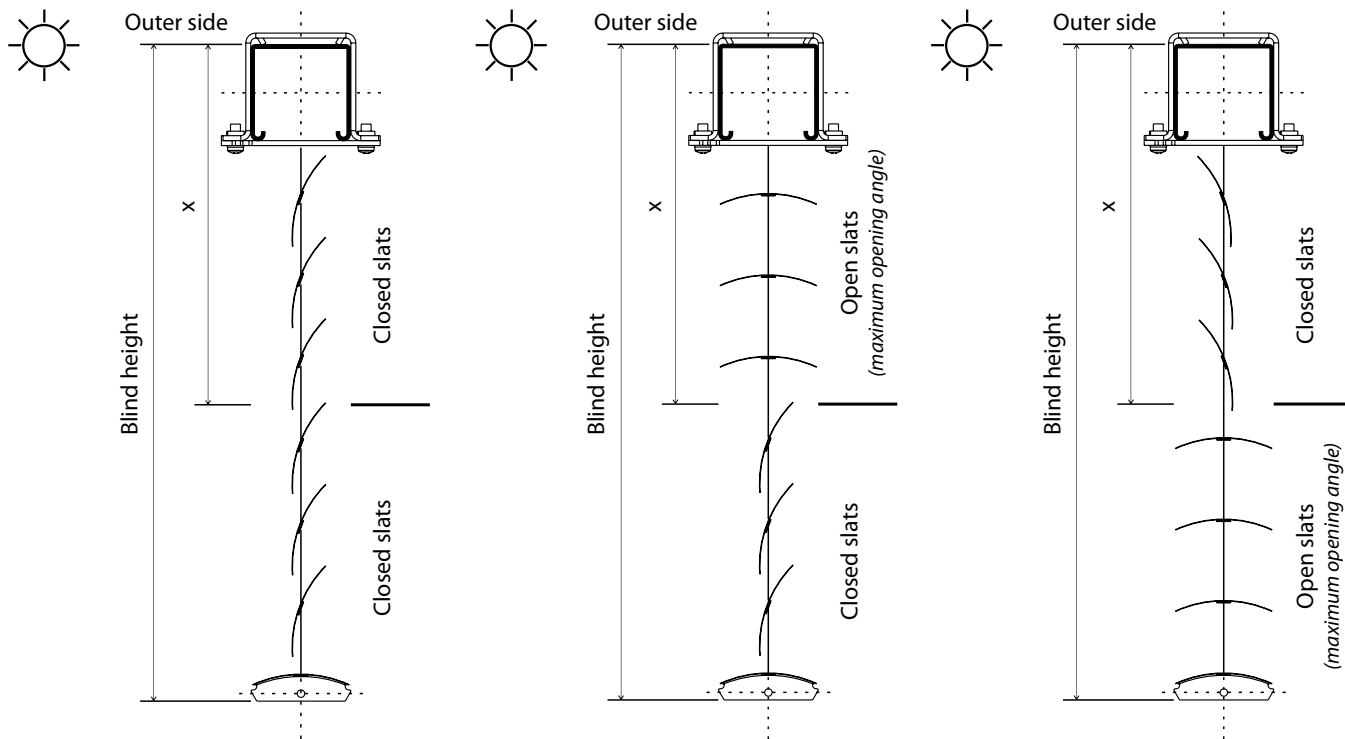
- ▲ **DUO System**
- ▲ **Atypical Designs of Exterior Blinds**
- ▲ **Connected Exterior Blinds**
- ▲ **Double Head Rail Exterior Blinds**
- ▲ **Exterior Blind Windstabil**
- ▲ **Solar Power Supply of Exterior Blinds**

ISOTRA *Quality*

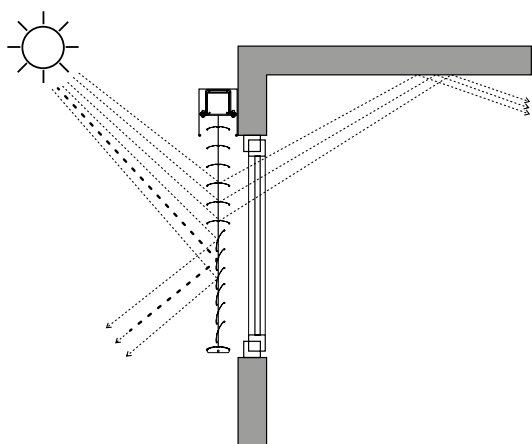
Alternative Designs DUO System (double slat tilting)

Applies to the handle / motor control: Cetta 65, Cetta 80, Cetta 60, 80 and 100 Flexi

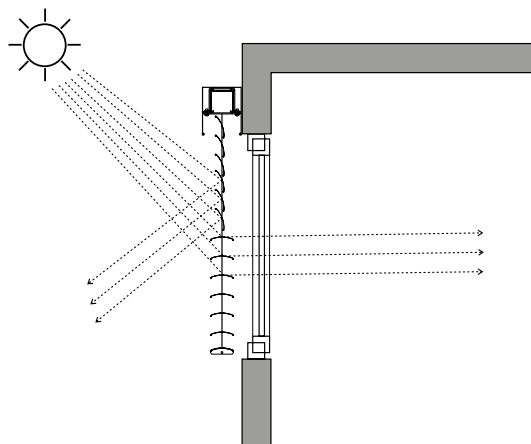
Upper blind part or lower blind part closed is available. It is impossible to fully open all slats at the same time. Different slat tilting is achieved by the ladder shortened on one side.



Slats closed at the bottom – opened at the top work room / living room



Slats closed at the top – opened at the bottom conference / training room



X = height for DUO design

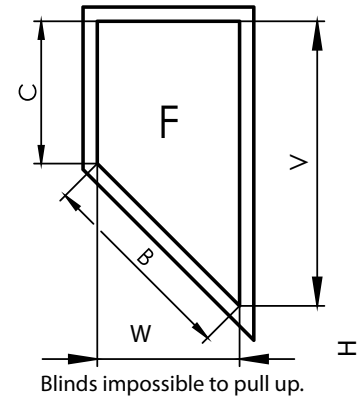
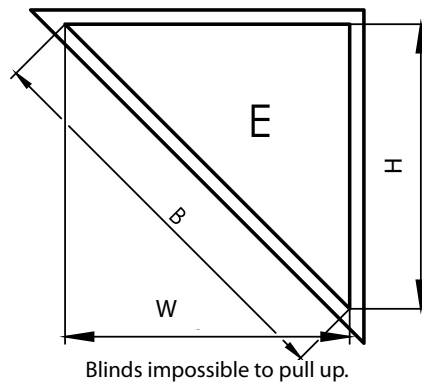
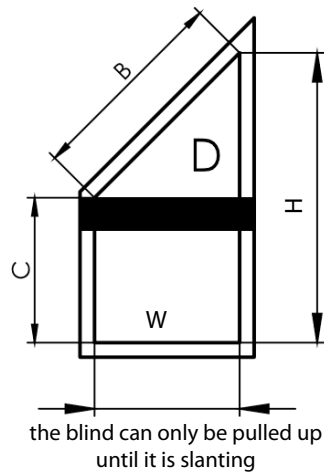
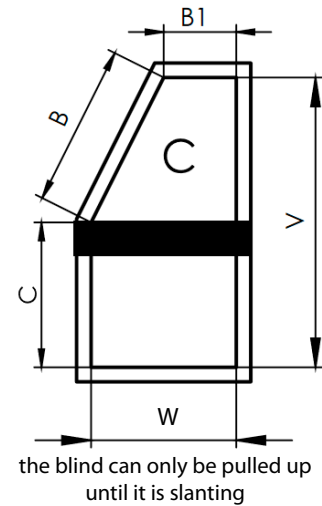
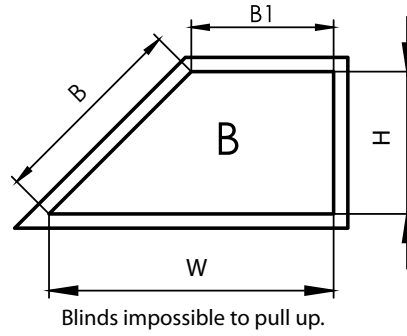
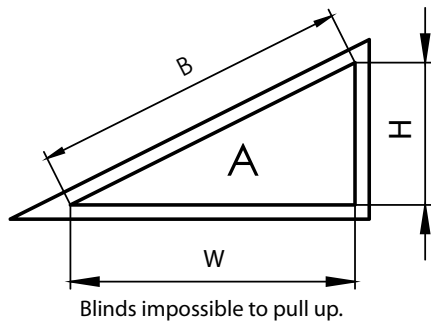
Height measured from the upper edge of head rail. The height (in mm) needs to be stated in the order form. The precise division of slats is given by manufacture according to the ladder span.

Note: Arrangement (height) for the DUO design can be adapted to special spatial conditions.

Alternative Designs

Atypical Designs of Exterior Blinds

All atypical designs can be controlled by motor or handle limited by specified angle.



Standard/produceable dimensions

Blind type	Width (mm) standard		Height (mm) standard		Angle standard	Width (mm) produceable		Height (mm) produceable		Area (m ²)
	min.	max.	min.	max.	max.	min.	max.	min.	max.	max.
C100 F handle shaped	600	4000	500	4000	64°	400	4000	300	4800	8
C100 F motor shaped	600	4000	500	4000	64°	400	4000	300	4800	16
C60 F handle shaped	600	4000	500	4000	52°	400	4000	300	4800	8
C60 F motor shaped	600	4000	500	4000	52°	400	4000	300	4800	16
C65 handle shaped	600	4000	500	4000	53°	400	4500	300	4800	8
C65 motor shaped	600	4000	500	4000	53°	400	4500	300	4800	24
C80 F handle shaped	600	4000	500	4000	60°	400	4000	300	4800	8
C80 F motor shaped	600	4000	500	4000	60°	400	4000	300	4800	24
C80 handle shaped	600	4000	500	4000	60°	400	4500	300	4800	8
C80 motor shaped	600	4000	500	4000	60°	400	4500	300	4800	24
S65 handle shaped	600	4000	500	4000	56°	400	4500	300	4800	8
S65 motor shaped	600	4000	500	4000	56°	400	4500	300	4800	24
S90 handle shaped	600	4000	500	4000	65°	400	4500	300	4800	8
S90 motor shaped	600	4000	500	4000	65°	400	4500	300	4800	24
Z70 handle shaped	600	4000	500	4000	56°	400	4500	300	4800	8
Z70 motor shaped	600	4000	500	4000	56°	400	4500	300	4800	24
Z90 handle shaped	600	4000	500	4000	63°	400	4500	300	4800	8
Z90 motor shaped	600	4000	500	4000	63°	400	4500	300	4800	24

Using of motors for inclined blinds plane

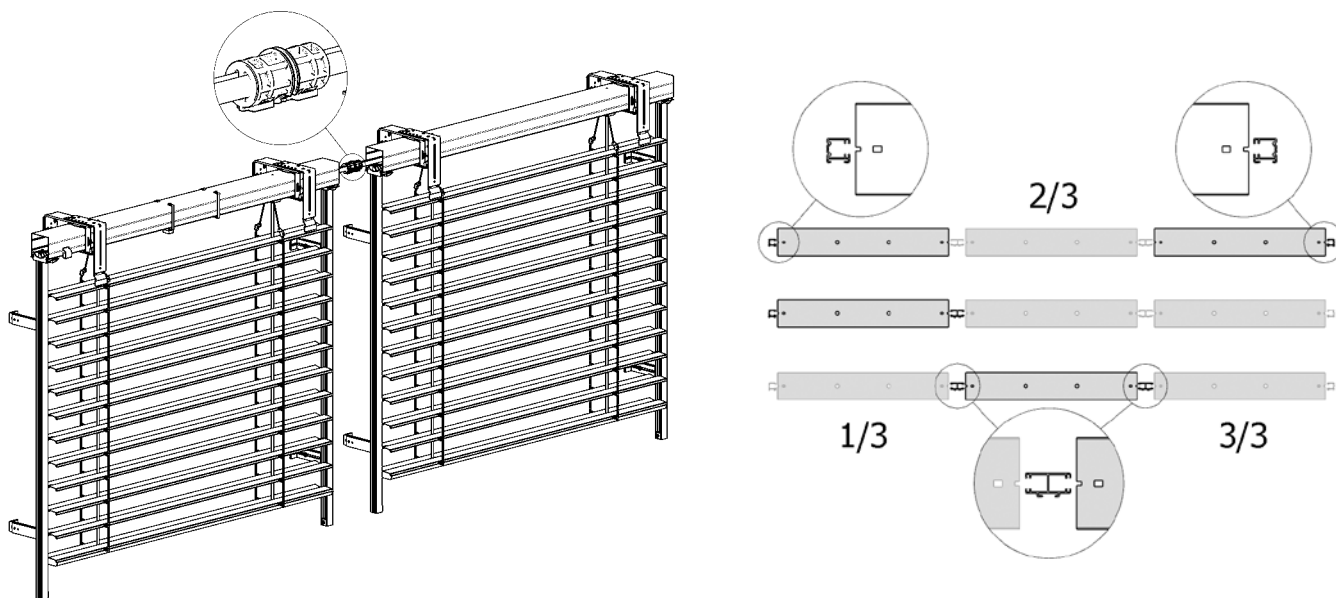
For all types of atypical blinds (A, B, C, D, E, F), the following motors can be used: Geiger, Somfy WT, Somfy IO, Elero

Alternative Designs Connected Exterior Blinds

The connected Exterior blinds always have a connected rod and joint control. The handle or motor control can be installed in any place (on the right, on the left, in the center) and on any blind of the group.

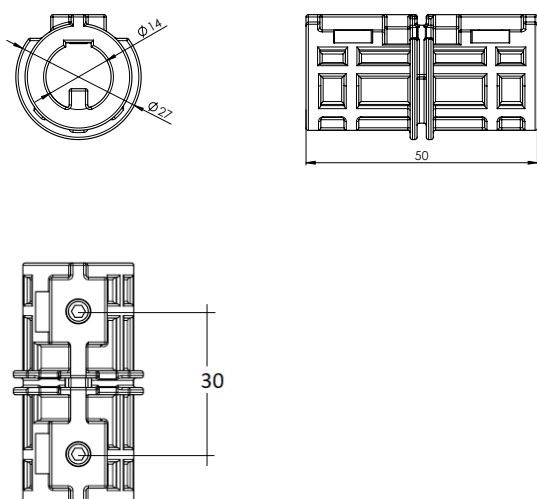
Cetta 65, Cetta 80, Cetta 60, 80 and 100 Flexi, Setta 65, Setta 90, Zetta 70 and Zetta 90 Exterior blinds can be connected (not Cetta 50). It is also possible to connected blinds in the HELUZ lintel.

Maximum area of connected motor-controlled Exterior blinds: 20 m²
 Maximum area of connected handle -controlled Exterior blinds: 8 m²
 Maximum number of connected Exterior blinds: 3

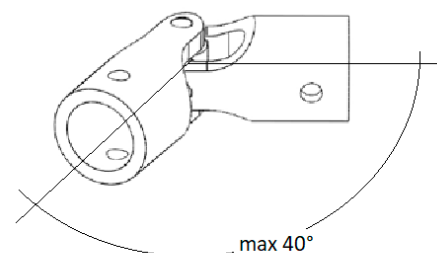


The shaft is always 5 mm shorter than the manufacturing dimension of the blind regardless of shortening of the upper channel, if made.

Rod connector P 077/3



Cardan shaft coupling P 313



Max. angle per one coupling is 0–40 degrees.

2x imbusted screw

Required components: rod connector
 Usable components: double guiding channel, single guiding channel

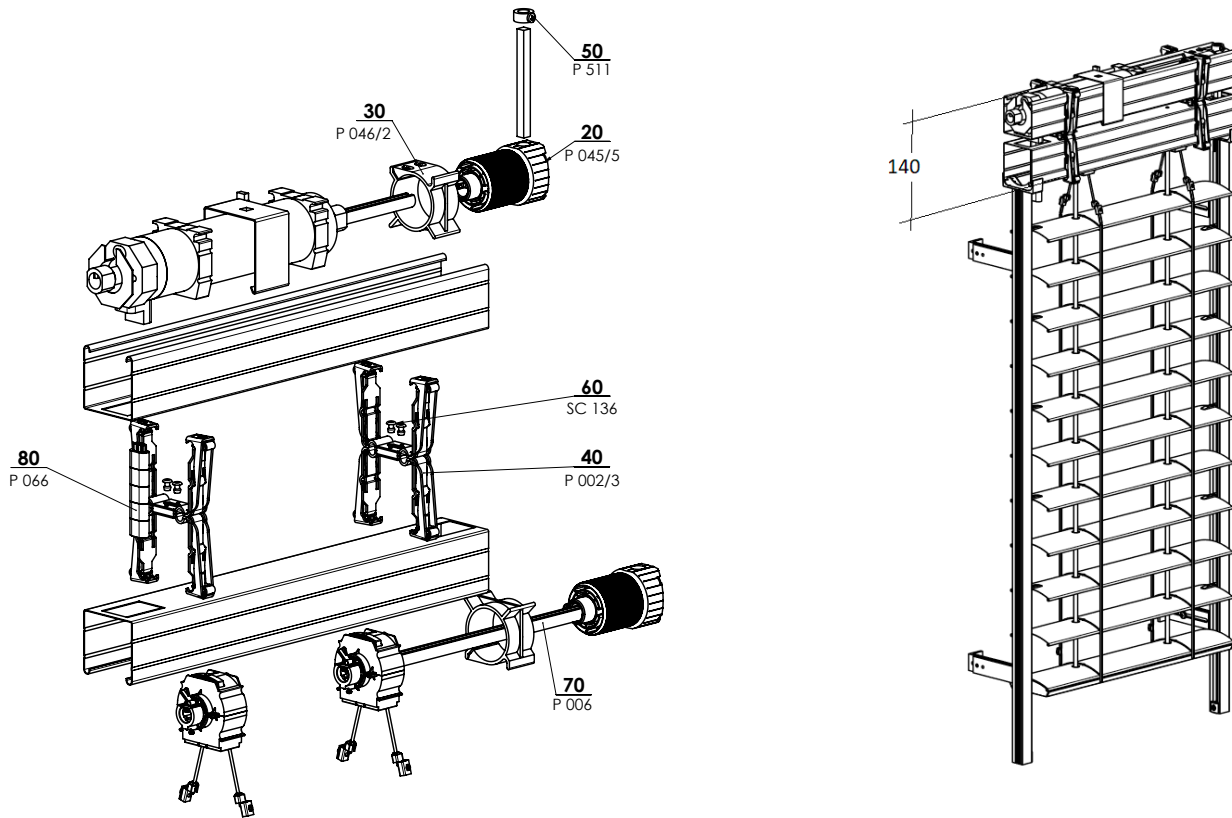
- It is required to follow the below-listed rules when connecting the axial profiles:
- both driving and driven blinds must be installed at identical horizontal and vertical planes
 - blinds must be connected in their identical coiling positions
 - for easier installation, shortening of the head rails by 50 mm on both connected sides can be required
 - axes of connected blinds must be approximately 10 mm apart; notches in the axes should be on the bottom blind side, if possible.

Alternative Designs

Double Head Rail Exterior Blinds (2-01334-0000-0)

If the width of blind is in the range of 400 - 600 mm in motorised version, we offer you the possibility of double Head Rail Exterior Blinds. Two head-rails placed above each other are connected with light weighted gearings. Motor is placed in upper head-rail and bearing in the lower one.

Head-rail with motor can be placed also next the head-rail with bearings if there is enough space in lintel (packet height remain same).



ADDITIONAL CHANNEL 2-01335-XXXX-0

Position	Item name	Business name - Abbreviation 2	Order number - Abbreviation 1
20	Plastic gearing 8-mm square	P 045/5	6-013232-0000
30	Gearbox holder, body 46 mm	P 046/2	6-013234-0000
40	Mechanic upper head rail hanger - Fe profile with isolation	P 002/3	6-012663-0000
50	Ring for hexagonal wire metal	P 511	6-001242-0000
60	Riveting rivet Al 4x10 DIN 7337 A, colorless	SC 136 0000	6-002680-0000
70	Shaft	P 006	7-300198-0000
80	Extension of the Geiger motor limit switch	P 066	6-012561-0000

Alternative Designs

Exterior Blind Windstabil (2-01127-0000-A)

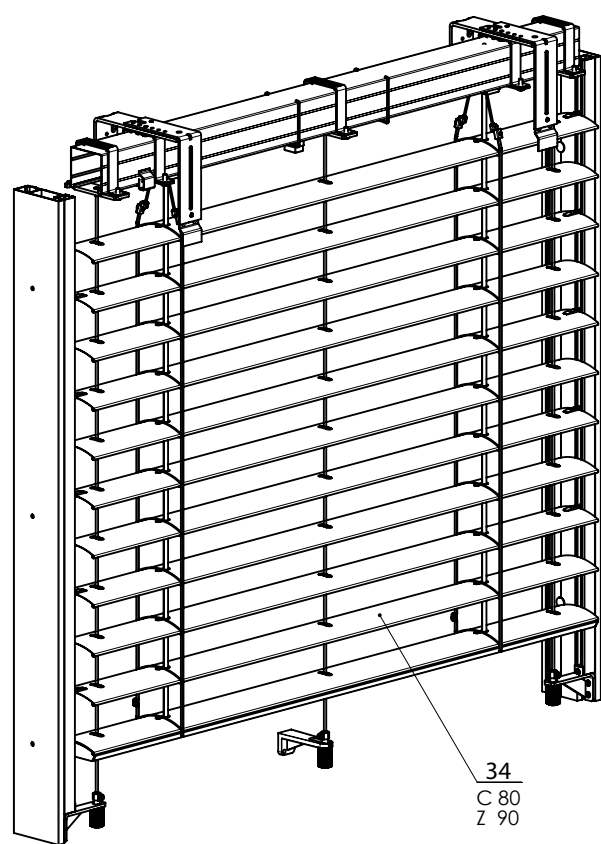
Windstabil version for **Cetta 80** and **Zetta 90** blinds. This is a technological increase in the windscreen resistance parameter via additional strings.

Technical parameters:

- side line with the guide rail P080
- max width 3000 mm, maximum height 3600 mm
- max surface for engine drive: 9 m²
- wind resistance class: 5

Supportive guiding wires

Blind width (mm)	Supportive guiding wires
up to 1499	2 pcs (fixed to the side guiding rail)
1500 – 1999	2 pcs (fixed to the side guiding rail + 1 pc in the middle)
2000 - 3000	2 pcs (fixed to the side guiding rail + 2 pcs in the middle)



WINDSTABIL 2-01127-XXXX-A



Alternative Designs

Solar Power Supply of Exterior Blinds

The exterior blind with solar power supply is a unique and fully automated blind that is wireless controlled and has zero power consumption. The exterior blind operates on the principle of the so-called photovoltaic phenomenon – i.e. the conversion of solar radiation into electricity. It can be only used for channel 56x58 mm. Maximum guaranteed area is 8 m². One solar unit is only adapted for one exterior blind.

Composition of the solar set:

- motor JA04 Soft DC 4Nm 33 revolutions 12 V
- receiver Combio-868 JA DC
- power unit DC
- Quickconnect IP65
- MonoTel 2, single-channel - white, silver, titangrey
- TempoTel 2, 10-channel (timer + Astro) - white, silver, titangrey
- VarioTel 2, 5-channel - white, silver, titangrey



Motor ELERO JA 04 SOFT DC, 4Nm (6-015554-0000)

Name	Technical data
Torque	4 Nm
Turns	33 turns/min.
Voltage	12V
Frequency	-
Soft brake	-
Current consumption	4A
Power	48 W
Protection class	IP 44
Limit switch range in turns	85 turns
Length (without couplings in mm)	260
Weight	1,6 kg
Ambient temperature	-20°C to +60°C
Cable	0,8 m with Quickconnect

Adapter for shaft (6-001624-0002)

Receiver Combio-868 JA DC (6-015555-0000)

Name	Technical data
Torque	10 Nm
Voltage	12 – 13,5 V DC
Current consumption	3,75 A
Power	45 W
Switching consumption	100 mA
Protection class	IP 56
Max. number of transmitters	16
Dimension (mm)	100x40x15
Weight	1,6 kg
Ambient temperature	-20°C to +60°C



Assembly:

- The panel area must face down.
- Ideal position of the solar panel is at right angle to the sun.
- The battery case must always be placed above the solar panel.

Energy unit DC Solar (6-018680)

- including battery and connecting cable

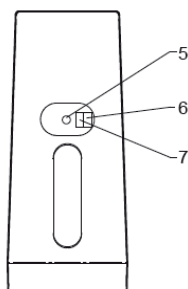
Name	Technical data
Power	13,2 V DC
Protection class	IP 44
Dimension (mm)	523 x 50 x 83
Okolní provozní teplota	-20°C to +60°C
Type of rechargeable battery	LiFePo ₄
Rated voltage	13,2 V
Output (peak)	4,2 ± 10% W
Rechargeable battery capacity	2400 mAh
Energy	33 Wh
Protection against excessive discharge, overloading, overcharging	Built-in rechargeable battery management system
weight (including battery)	1100 g

CAUTION

The 12 V Combio receiver (used in the exterior blind's solar set) only allows one-way communication. All Elero remote controllers allow both one-way and two-way communication, but for smooth functioning with the solar set, the Elero remote controller must be switched to one-way communication using the switch on the back side. Caution: The Multitel 2 controller cannot be used for controlling 12 V one-way motors!



Back side of the device



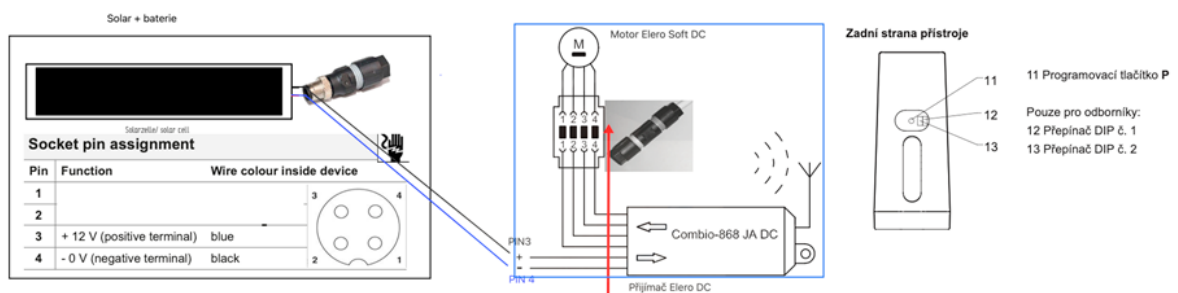
5 Programming button P

Only for specialists:
6 DIP switch No. 1
7 DIP switch No. 2

Remove the rubber cap at the back side of the remote controller and toggle switch No. 2 in the remote controller to the OFF position.

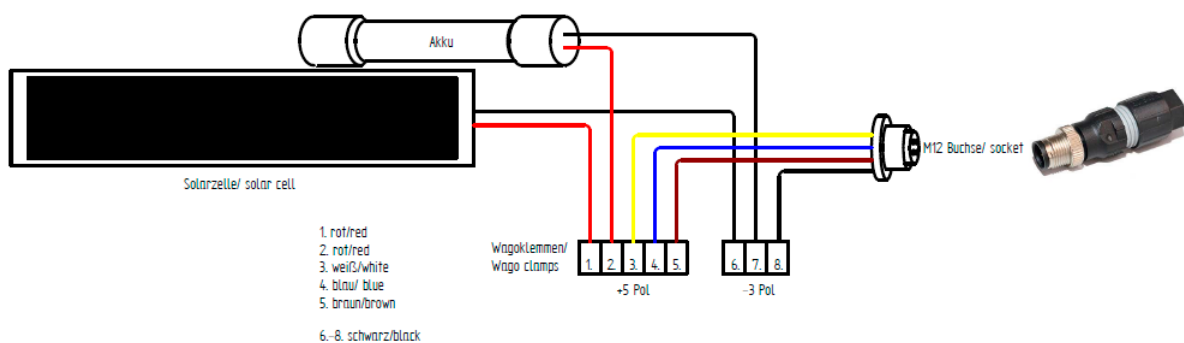
One-way radio control system of 12V drive

The term "one-way radio system" denotes the transmission of radio signals to the radio receiver. In contrast to two-way radio systems, one-way radio receivers cannot send information about the equipment status back to the transmitter. It is also not possible to forward radio signals between the individual radio receivers to ensure better signal transmission.



QUICKON terminal assignment

Terminal 1: brown	▲ (up)
Terminal 2: white	+ (plus)
Terminal 3: blue	▼ (down)
Terminal 4: black	- (minus)



1. Connect the solar panel with the receiver.
 2. Connect the receiver with the motor.
 3. After connecting, press the programming button on the controller, until the blind starts to jog.
 4. Select the controller channel to which it is to be saved.
 5. Once upward movement starts, immediately press the UP button on the controller.
 6. Once downward movement starts, immediately press the DOWN button on the controller.
 7. The blind stops jogging and the settings are saved.
- To possibly delete, reset the receiver, press all four buttons (up+stop+down+prog) before the red light on the controller lights up!

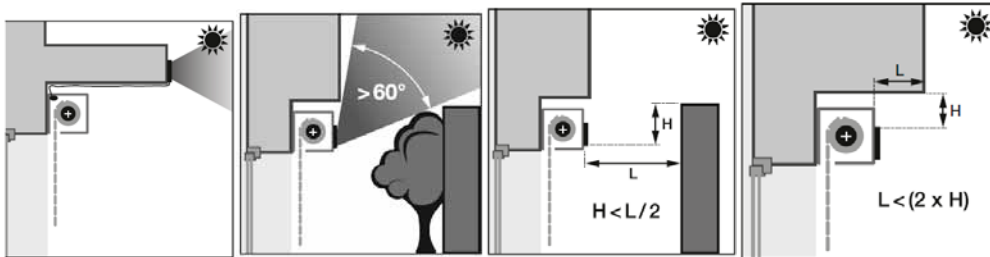
Compatible controllers: Tempotel 2, Variotel 2, Monotel 2

All controllers must be switched to one-way mode, DIP No. 2 in upper position, see above.



Installation:

- Minimum panel covering with solar radiation: 60%.
- The solar panel should ideally be placed perpendicular to the incidence of solar radiation.



Special Designs

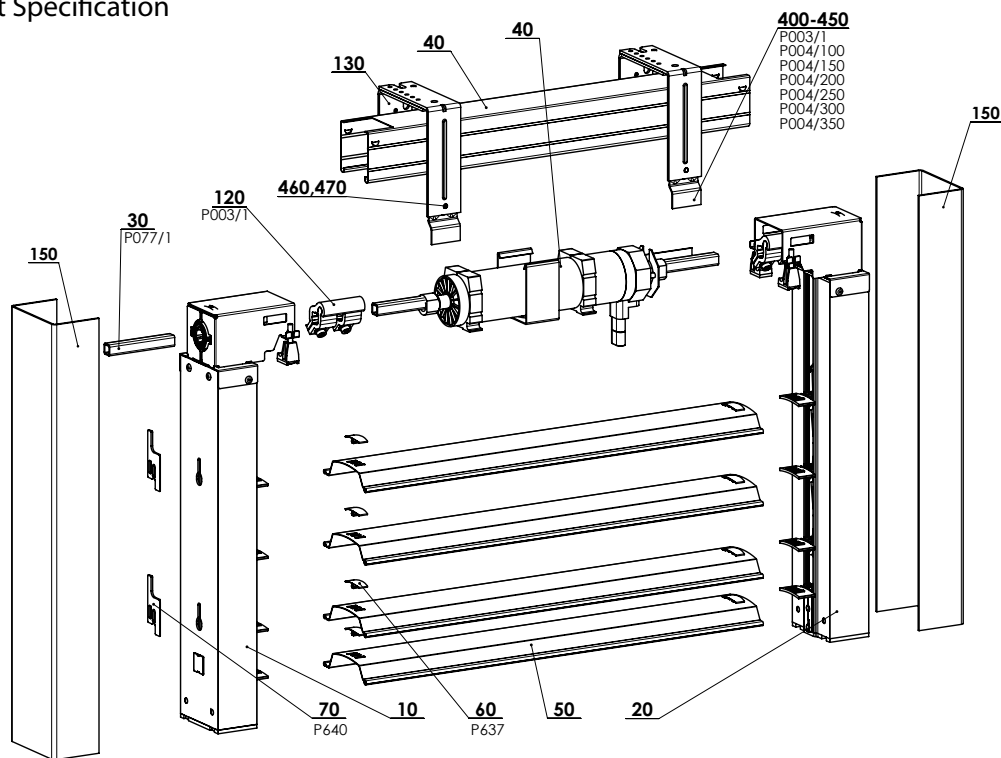


- ▲ Chain Blind TITAN 90
- ▲ Sloped Blind Cetta 80F TE
- ▲ Facade Exterior Blinds
- ▲ Self-Supporting Blinds STS
- ▲ Self-Supporting Blinds VIVA
- ▲ Self-Supporting Blinds BRAVO
- ▲ Lintel Exterior Blinds HELUZ
- ▲ Safety blind EMERGENCY

ISOTRA *Quality*

Titan 90

Basic Product Specification



TITAN 90 - MOTOR 2-01070-xxxx-4

Specification Titan 90

	Head Rail	Bottom Rail	Slat	Guiding Channel
Commercial Name	P001/1	-	O 123/XXXX	P 018/81 PU52
Dimension (mm)	56 x 58	-	0,60 x 122,8	80x49,2
Material	Fe	-	Al	Al
Color	galvanized steel plate other RAL colors sprayed, DECORAL*	-	According to current ISOTRA a.s. scheme	Varnished in RAL colors, DECORAL*

*Maximum dimension 4000mm.

We do not make atypical designs.

Standard Dimensions

Widht (mm)		Height (mm)		Guaranteed Area (m ²)
min.	max.	min.	max.	
600	2800*	500	4000	8

Note: The wider the blind, the lower its wind resistance class - see "Wind resistance of exterior blinds", page 3-4.

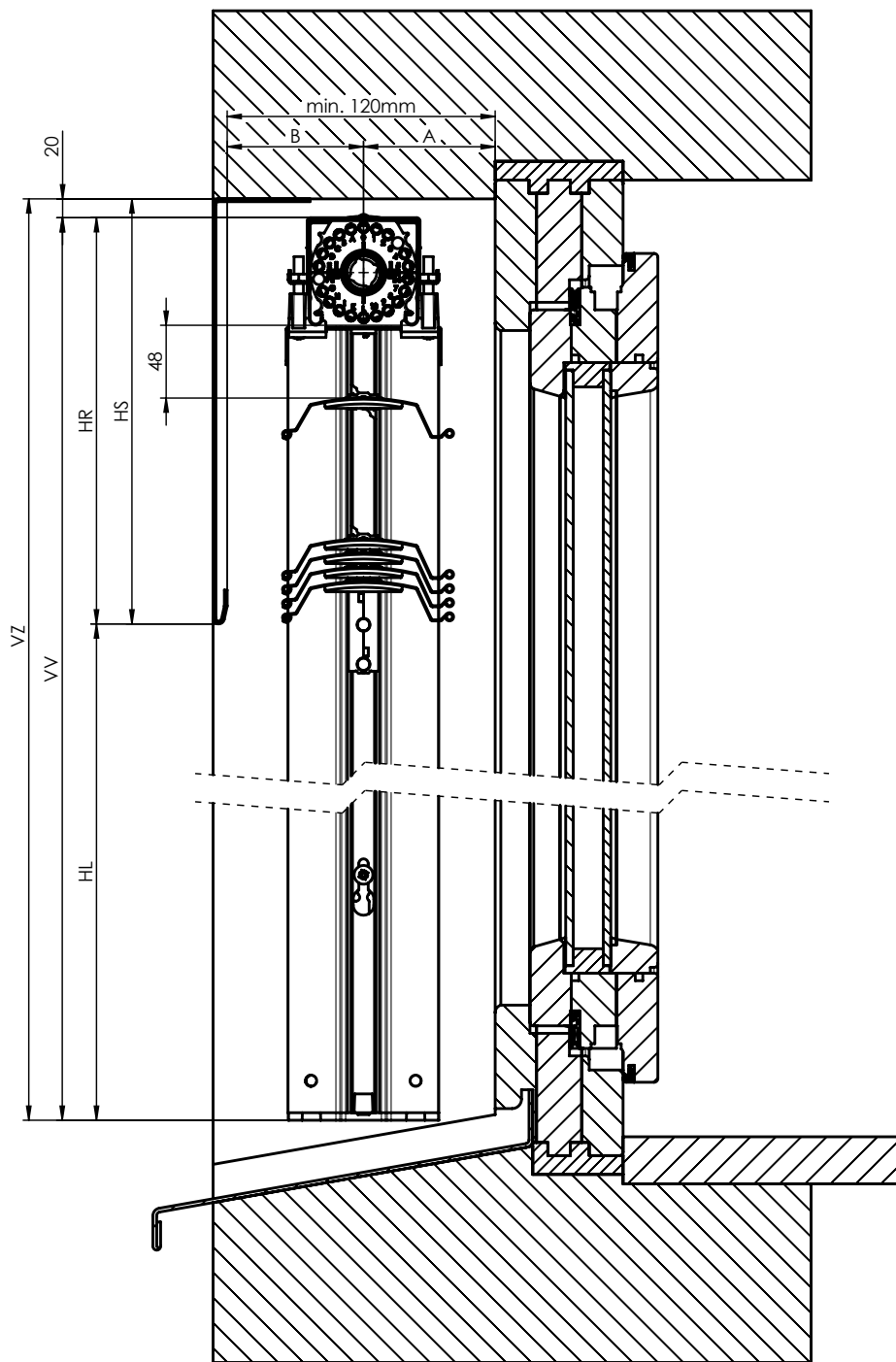
Titan 90 - motor (2-01070-XXXX-A)

Position	Item name	Business name - Abbreviation 2	Order number - Abbreviation 1
10	Floor of chain blind - right		2-01068-0000
20	Floor of chain blind - left		2-01069-0000
30	Spindle Shaft - SHORT		3-02564-0000
40	Upper Chain Channel - Long		2-01113-0000
50	Chain slat 90		2-01114-PU01
60	Slat fuse	P 637	3-02444-0000
70	Spacing pad	P 640	3-02670-7040
80	Packaging of exterior blinds		2-00342-0000
120	Head rail bracket	P 003/1	2-00112-0000
130	Shaft coupling square	P 077/1	2-01065-0000
150	Under-plaster rail	P 018/82	3-03112-XXXX
400	Extension of front cover holder- 100 mm	P 004/100	3-00156-PU22
410	Extension of front cover holder- 150 mm	P 004/150	3-00157-PU22
420	Extension of front cover holder- 200 mm	P 004/200	3-00158-PU22
430	Extension of front cover holder- 250 mm	P 004/250	3-00159-PU22
440	Extension of front cover holder- 300 mm	P 004/300	3-00950-PU22
450	Extension of front cover holder- 350 mm	P 004/350	3-00960-PU22
460	Screw M5x8		6-002353-0000
470	Pad M5, DIN 125-1A,5.8 Zn		6-002350-0000

TITAN 90 EXTERIOR BLIND DIAGRAM

VERTICAL SECTION

MOTOR CONTROL



VERTICAL SECTION - TITAN 90

2-01825-0083-0

A* min. 65 mm

B min. 55 mm

A+B min.120 mm

* + possible addition because of protruding drip-moulding (ledge) or hinges.

Dimension of packet and passageway are approximate values and may differ in reality.

Dimension divergences can be +/-5mm.

VV –height of produced blind

VZ - blind height including assembly gap

HL –height of passageway by lifted blind

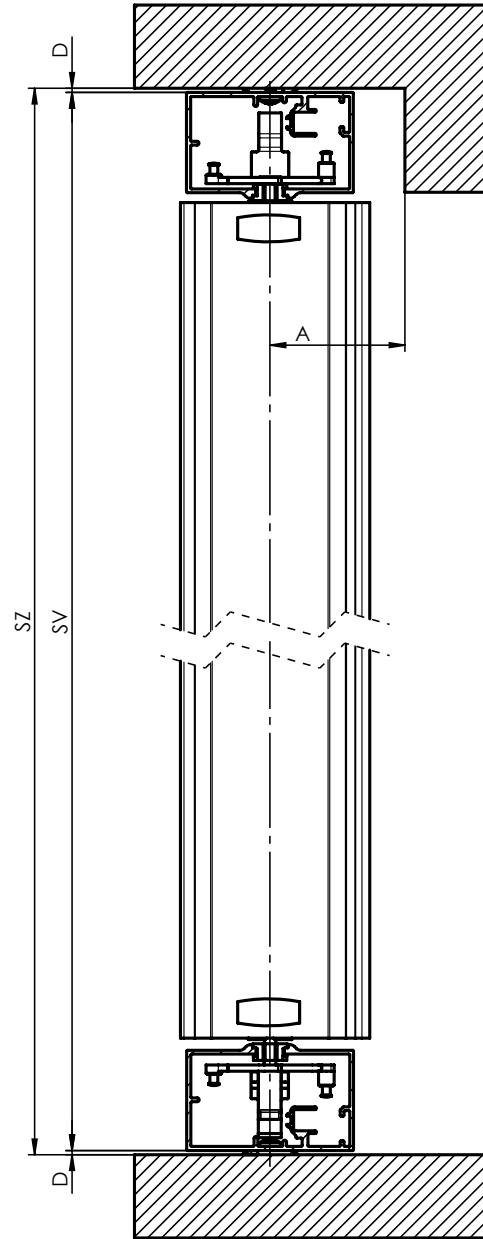
HR –height of packet without assembly gap

HS –height of packet with assembly gap

TITAN 90 EXTERIOR BLIND DIAGRAM

VERTICAL SECTION

MOTOR CONTROL



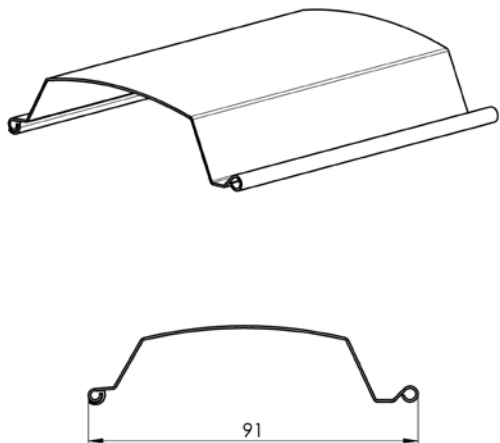
HORIZONTAL SECTION - TITAN 90

2-01825-0084-0

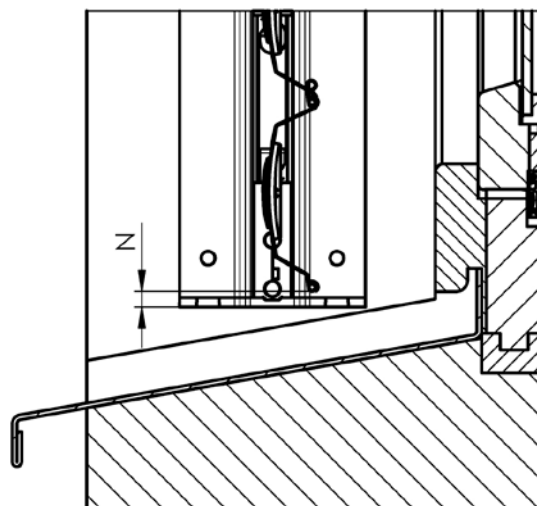
SZ - height of blind including brackets
SV - blind height including assembly gap
D - the width of the guiding channel holder or the spacer washer

Slat

Slat 90 (6-012599-XXXX)



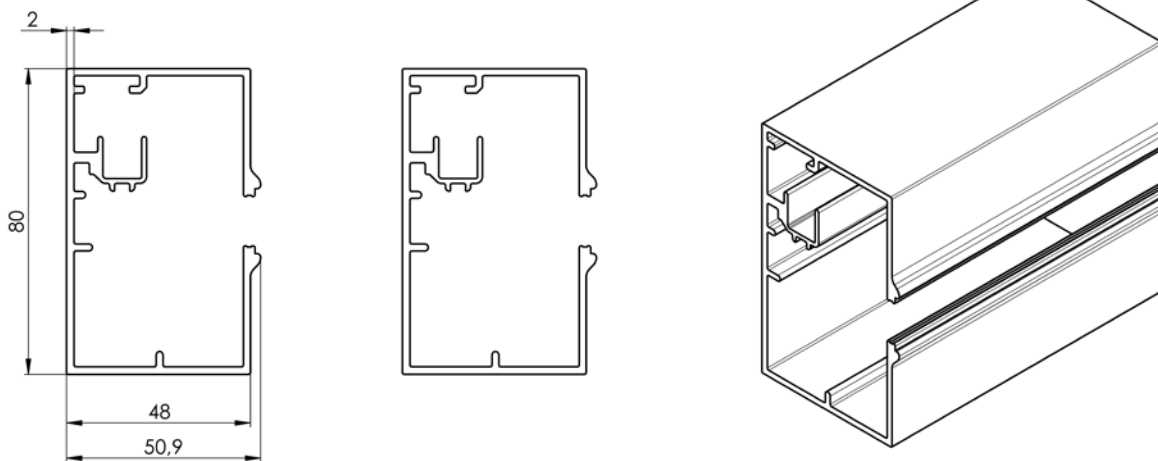
Last slat lumen



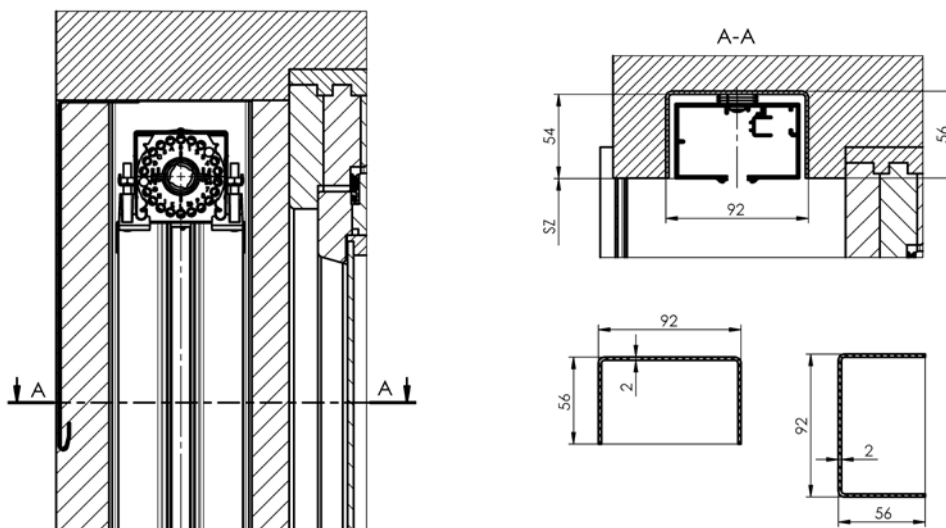
The gap between the bottom edge of the last slat and the end of the guiding rail $N = 10 \pm 5$ mm

Guidance

Guiding channel P 018/81 (3-02881-XXXX)

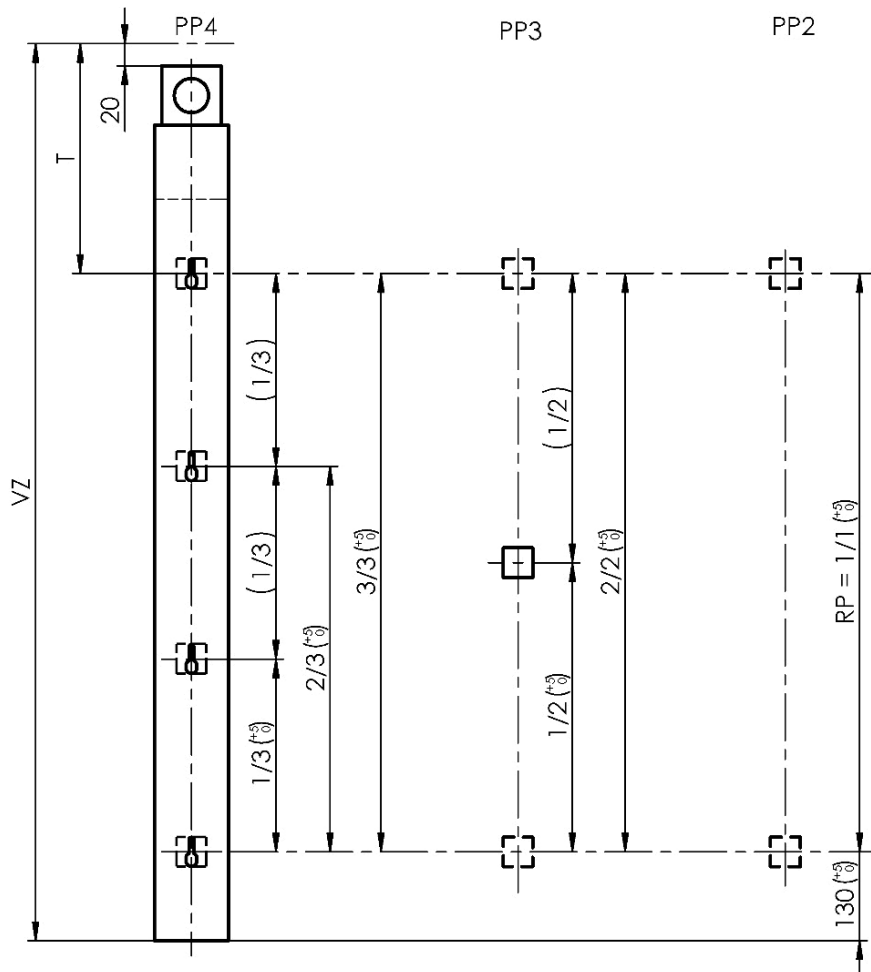


Underplaster guiding channel TITAN P 018/82 (3-03112-XXXX)



Assembly holes for guiding rails

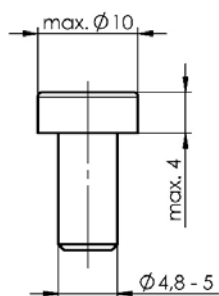
Blind height = blind height including assembly gap (VZ)	Number of punching (PP)	Upper punching position (T)
400 - 799	2	225
800 - 1299	2	290
1300 - 1799	2	480
1800 - 2799	3	480
2800 -	4	570



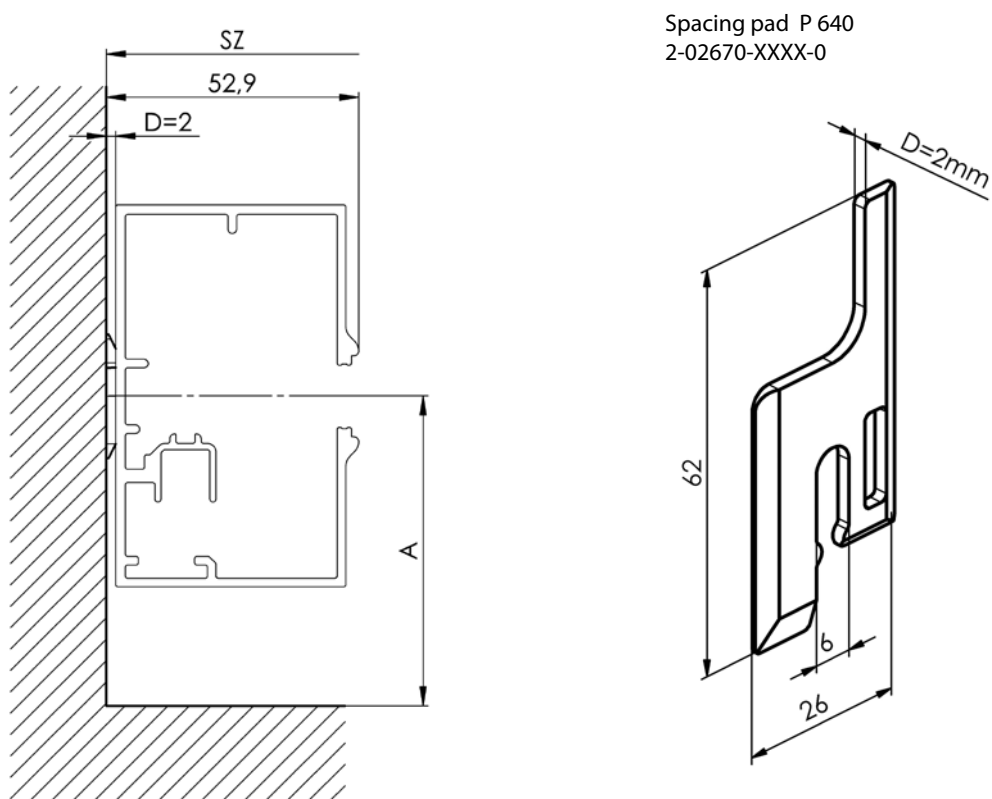
Fixing parts requirements

- ∅ screw = 4,8 – 5 mm
- ∅ screw head = max. 10 mm
- screw head height = max. 4 mm

Fixing parts have to be strong enough and suitable for particular wall types.

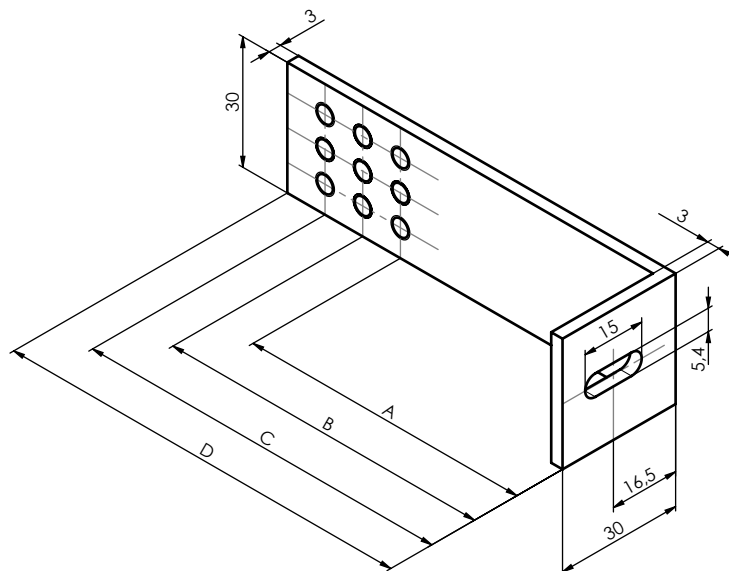


Installation



Spacing pad P 640
2-02670-XXXX-0

- SZ - height of blind including brackets
- A - distance guiding channel axis from window
- D - the width of the guiding channel holder or the spacer washer



Guiding Channel Holders P 021/13-16 (3-03356-XXXX-0 - 3-03359-XXXX-0)

Itemname	Business name - Abbreviation 2	Order number - Abbreviation 1	A (mm)	B (mm)	C (mm)	D (mm)
Guiding Channel Holder L30-65,75,85	P 021/13	3-03356-XXXX-0	65	75	85	100
Guiding Channel Holder L30-70,80,90	P 021/14	3-03357-XXXX-0	70	80	90	100
Guiding Channel Holder L30-95,105,115	P 021/15	3-03358-XXXX-0	95	105	115	130
Guiding Channel Holder L30-100,110,120	P 021/16	3-03359-XXXX-0	100	110	120	130

MEASUREMENT

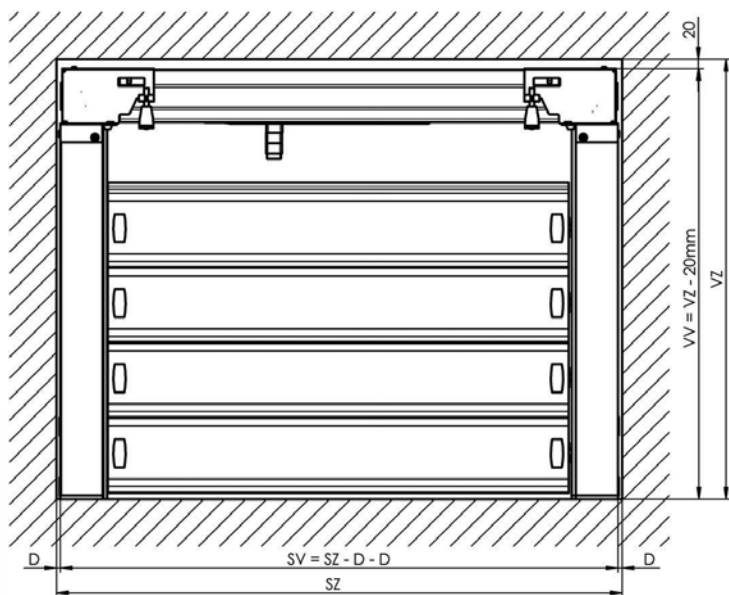
Measure the width (SZ) and drop (VZ) of the blind.

Measure the width (SZ) of the blind at least at three points, on the top, in the middle and on the bottom. Use the lowest measured value for ordering and production of the blind.

ATTENTION! Produced width (SV) of the blind TITAN is always shorter compared to measured one according to chosen assembly option. See Attachment: Assembly options.

Measure the drop (VZ) of the blind at three points as well, on both sides of lining and in the middle. Use the lowest measured value for ordering and production of the blind.

ATTENTION! Produced drop (VV) of the blind TITAN is always 20mm shorter compared to the measured one (VZ). The reason is ensuring manipulation space for assembly process and space for fixing brackets for blind pelmet. Please take this into consideration when specifying the cover sheet.



Note:

Real width of produced blind (SV) is always shorter compared to the one in order form. Width difference comes from the chosen assembly option. For assembly onto lining it is obligatory to use 2mm distance pads. The pads help to adjust vertical level of guiding rails.

Real drop of produced blind (VV) is always 20mm shorter than the one in order form. The reason is ensuring manipulation space for assembly process and space for fixing brackets for blind pelmet.

Minimal lining depth for correct assembly is approx. 120mm.

ATTENTION!

Take the utmost care during measurement; you will avoid possible problems during later assembly of the blind.

ASSEMBLY

Please read this instruction carefully before you start assembly process, follow all instructions step by step and pay attention to all recommendations stated hereinafter.

All information in this manual is very important for correct assembly process. Only well instructed person shall be able to complete the whole system of chain blind.



- Action



- Check

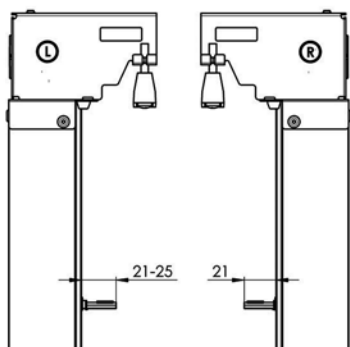


- Attention

Assembly preparation

- Assembly sizes double check
- Blind sizes must match the values stated in order form. Fitting tolerances must match values stated in technical manual.
- Double-check assembly hole and its preparation.
- Underlay check, chose the right fixing items and tools.
- Electric power preparation for motor connection.
- All assembly underlay check
- Check all assembly values (width x drop x packet height)

ATTENTION! All marks on blinds parts are always placed and visible from interior view!



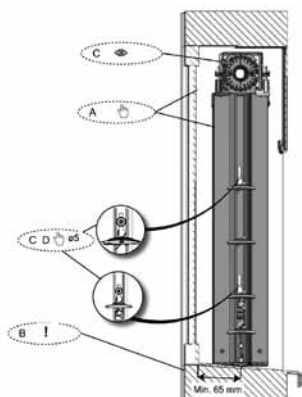
Difference Right/Left guiding rail

- Left guiding rail
- sticker „L“ on bearing bracket from interior view
- variable distance of slat holder 21-25mm
- Right guiding rail
- sticker „R“ on bearing bracket from interior view
- fixed distance of slat holder 21mm

Assembly

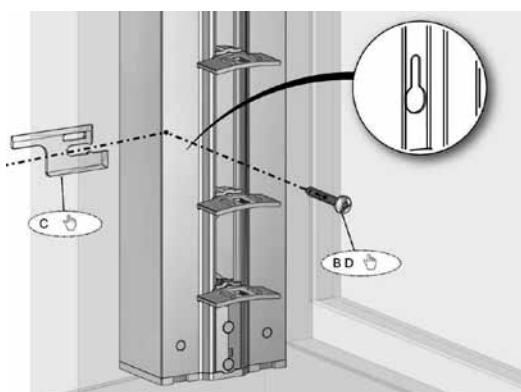
1. Guiding rails assembly

- A – Level the rail into lining.
- B – Minimal distance between guiding rail axis and the obstacle is 65mm.
- C – Mind the difference between left and right guiding rail, place them correctly.
- D – Make marks through the assembly holes for using suitable fixing elements.
- E – Screw and insert fixing elements.



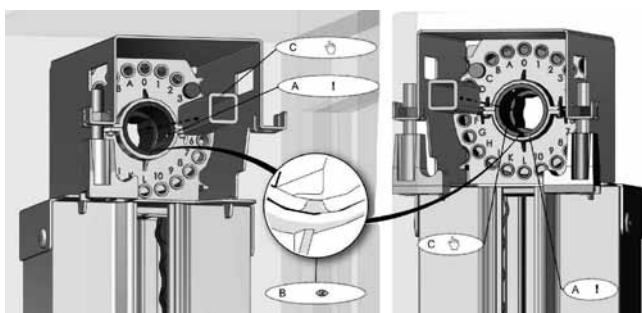
2. Guiding rails attachment

- A – Ensure that you have not misplaced right and left rail.
- B – Screw the screws through the guiding rail.
- C – Before tightening put the distance pad on the screw between lining and the rail.
- D – Tighten the screws and check the level of rails again.



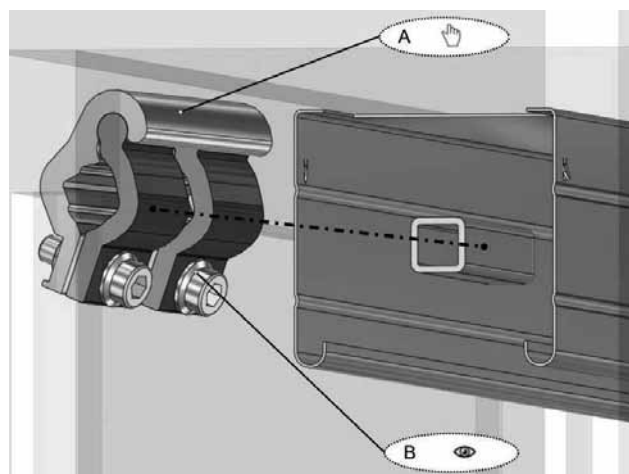
3. Check the bearing position

- A – Do not turn the bearing in any case. Default setting can be lost.
- B – Ensure that bearing marking are facing down on both guiding rails.
- C – Insert short connecting shafts into the bearings.



4. Head-rail with motor – preparation

- A – Slide the connectors onto four-square shaft into the head-rail. One from the left and one from the right side.
- B – Screw heads are facing always down.

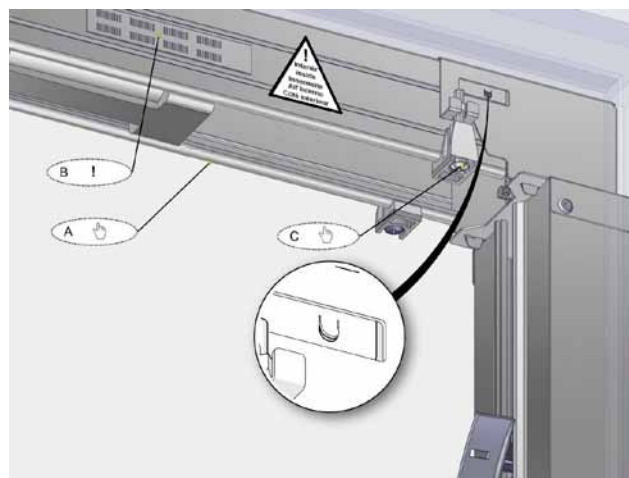


5. Head-rail with motor

- A – Insert the head-rail from below onto both guiding rails and center it.

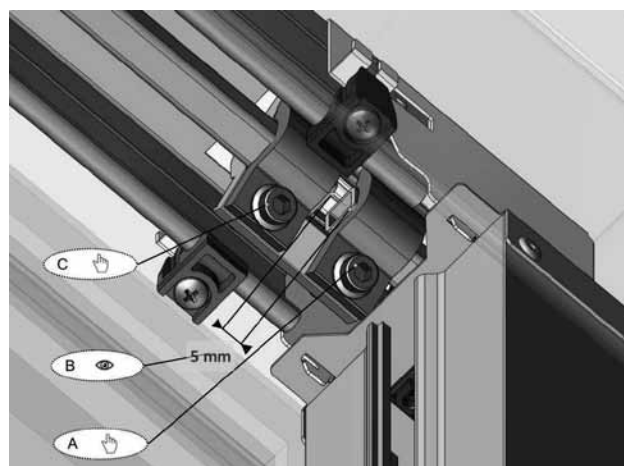
ATTENTION:

- B – Make sure the “INTERIOR” label always faces the interior.
- C – Secure the head-rail with securing hooks by tightening to guiding rails.



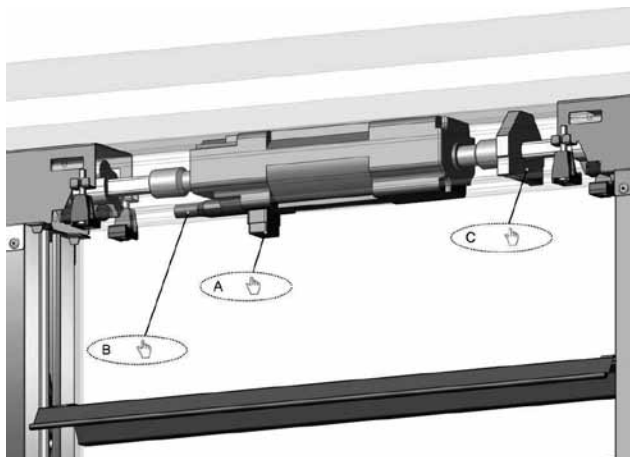
6. Head-rail with motor – shaft connection

- A – Connect four-square shafts together with the connectors..
- B – Ensure the gap between the shafts is approx. 5mm.
- C – Tighten the connectors.



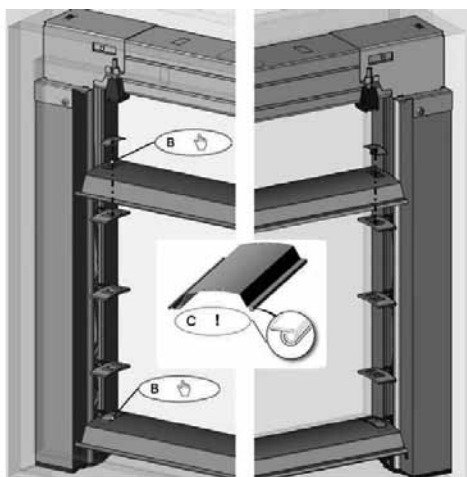
7. Motor connection

- A – First equip the motor with suitable mechanical end stop button.
- B – Connect the power supply (mounting) cable with motor cable.
- C – If the head-rail is delivered with polystyrene support, remove it.



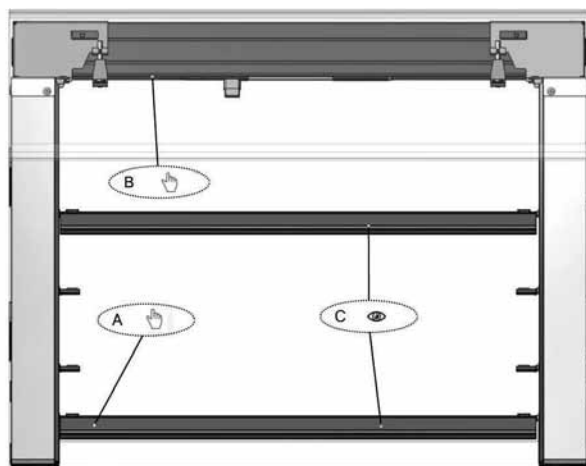
8. Slats

- A – Unpack the slats (Avoid scratching!)
- B – Hang the highest and lowest slat and secure them with stainless clips.
- C – Seal rubber on the slat is facing always the exterior view.



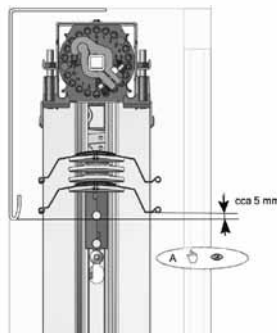
9. Slats - adjustment

- A – Using the mounting cable move the blind up and down.
- B – Moving the slats up push the upper limit button on the motor.
- C – Both slats are in opened position. Check their parallelism.



10. Slats - adjustment

- A – When achieving the required upper end limit (usually height of lintel or pelmet) stop the slats movement.
- B – Movement up is still possible for eventual setting.
- C – By moving the slats downwards the upper end limit is saved.



ATTENTION!

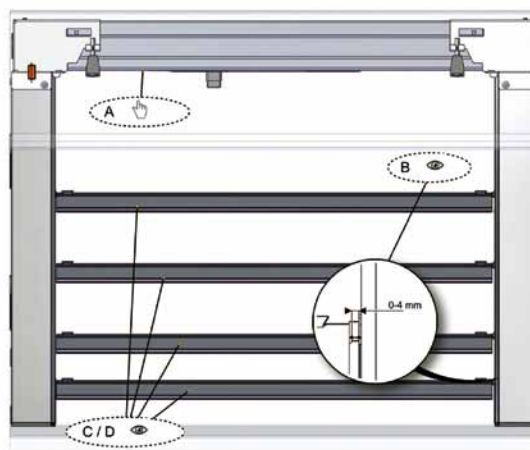
Do not change the lower end limit! This is factory default setting.
If the end stop is moved beyond the factory-set position, the tension in the blind mechanism will increase and the blind may be permanently damaged.

11. Motor connection

- A – Connect power supply with the motor.
- B – Use suitable plug according to motor control type.
- C – Ensure that the cable does not decrease blind functionality.

12. Slats

- A – Insert rest of slats and secure them with stainless clips.
- B – Seal rubber on the slats is facing always the exterior view.



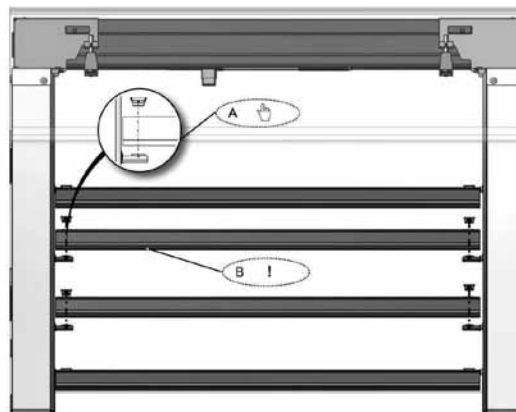
Functionality and motor drive check.

ATTENTION!

Never connect more than one motor with single control unit.

Functionality check:

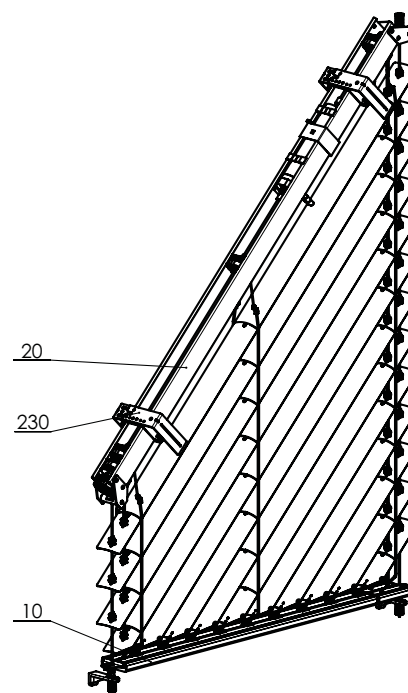
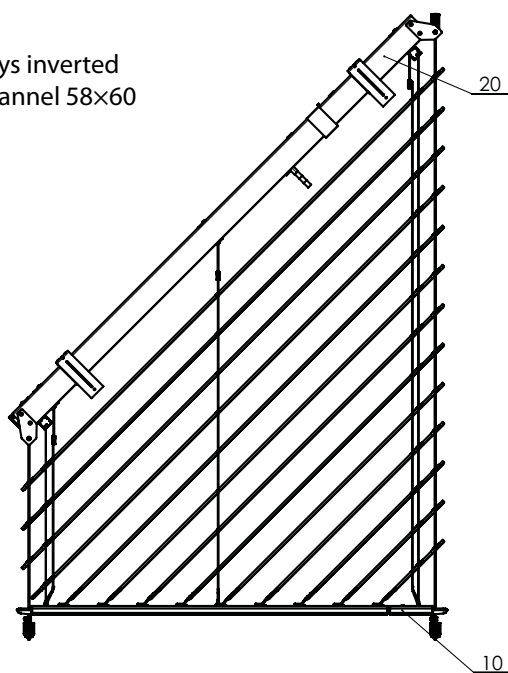
- A – Using the mounting cable move the blind several times up and down.
- B – Check horizontal free motion of the slat side clips towards left guiding rail. Tolerance is 0-4mm.
- C – Check vertical slat free motion. Tolerance is +/-1mm.
- D – Slats have to be in parallel.



Sloped Blind Cetta 80F TE

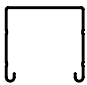


Basic Product Specification

Always inverted
Al channel 58x60



Sloped Exterior Blind 2-01077-XXXX-A

Specification

	Head Rail	Bottom Rail	Slat	Side Guidance	Ladder	Textile Band	Assembly
				Steel wire			
Commercial Name	P 001/2	P 012/6	O 118	P 036	P 30/4	RHD 09	Variants of installation in Chapter "Assembly"
Dimension (mm)	58x60	+ P 012/7	0,40 x 80	ø 3,2	P30/5	6mm	
Material	Al	21x80	Al	Fe/PVC	P30/6 P30/7	PES	
					104x85 74x85 93,5x85 83x85 PES		
Color	Standard: natural (Al profil) Other RAL colors sprayed, DECORAL*	Standard: anodized aluminium Other RAL colors sprayed, DECORAL*	According to current ISOTRA a. s. scheme	According to current ISOTRA a. s. scheme	grey	grey	

*Maximum dimension 4000mm.

* We do not make atypical designs.

Standard Dimensions

minimum width (mm)	maximum width (mm)	minimum height C (mm)	maximum height V (mm)	maximum guaranteed area (m ²)	max. angle
600	2500	300	4000	7	α = 50°

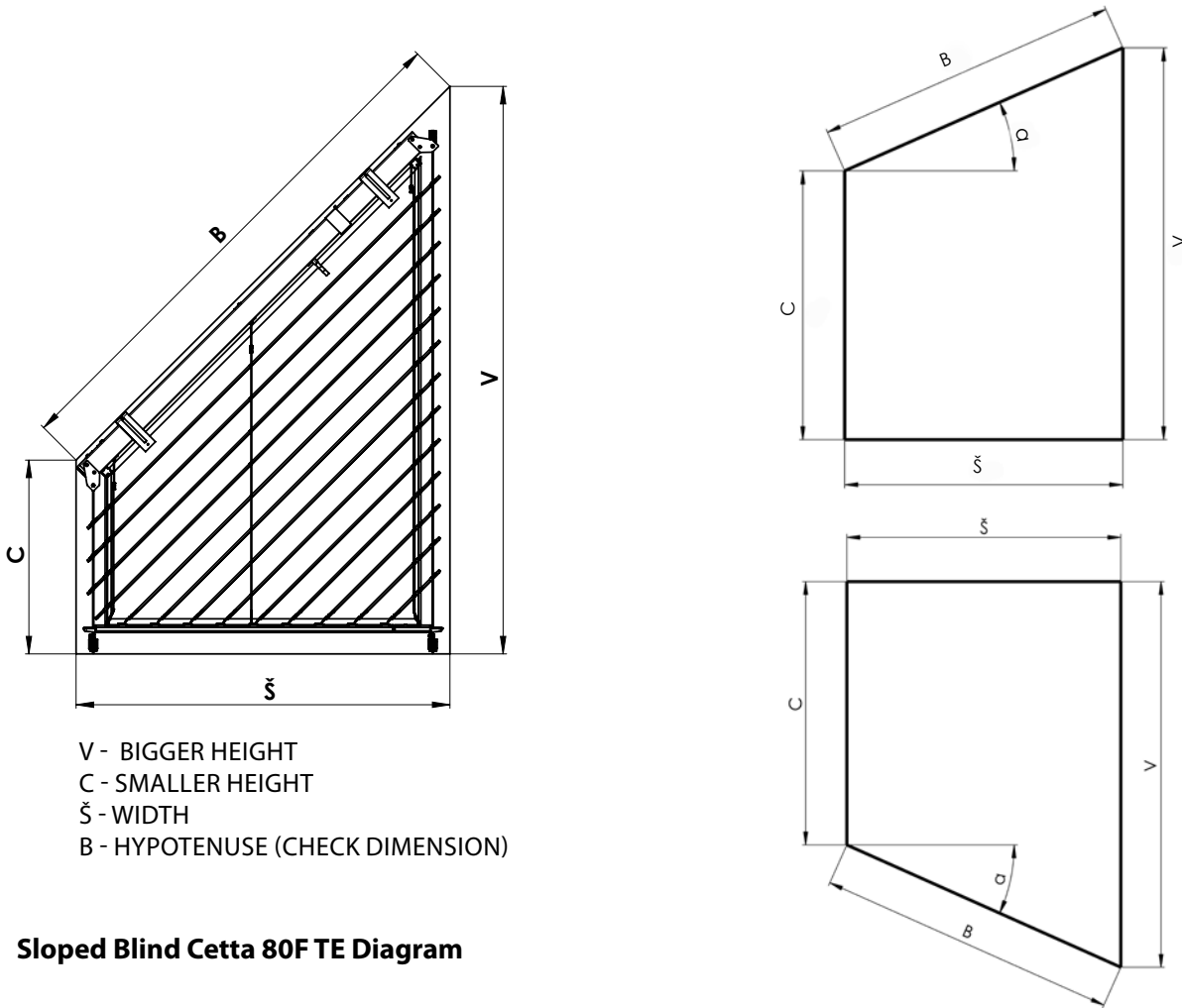
Motors

Geiger, Geiger AIR, Somfy WT, Somfy IO, Elero

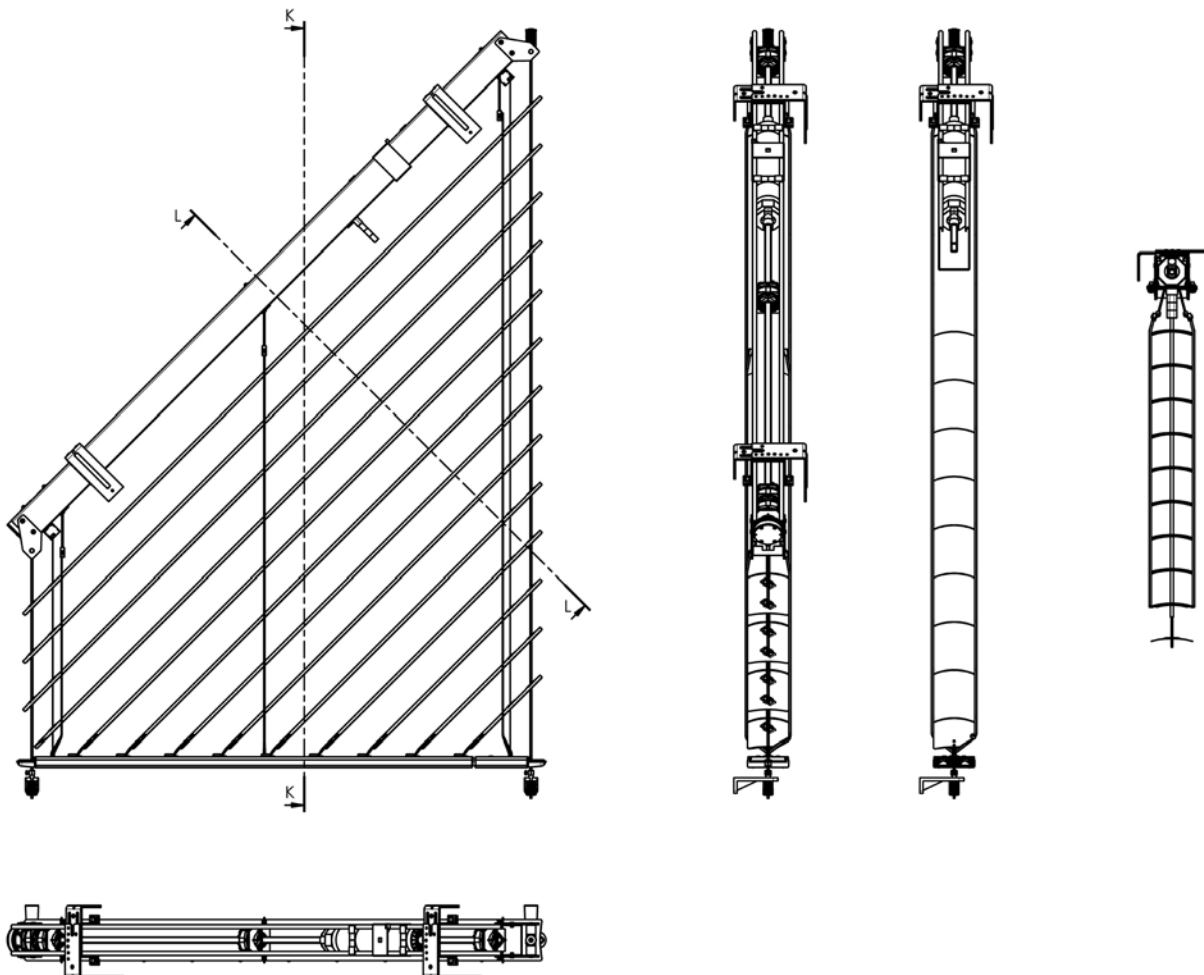
Sloped Blind Cetta 80F TE (2-01077-0000-A)

Position	Item name	Order number - Abbreviation 1
10	Low head rail - telescopic - for sloped blinds	2-01073-PU11
20	Upper head rail for sloped blinds	2-01074-PU11
230	Exterior blind holder	2-00649-0000

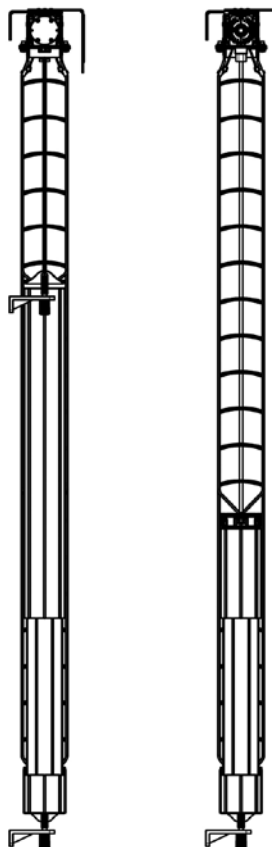
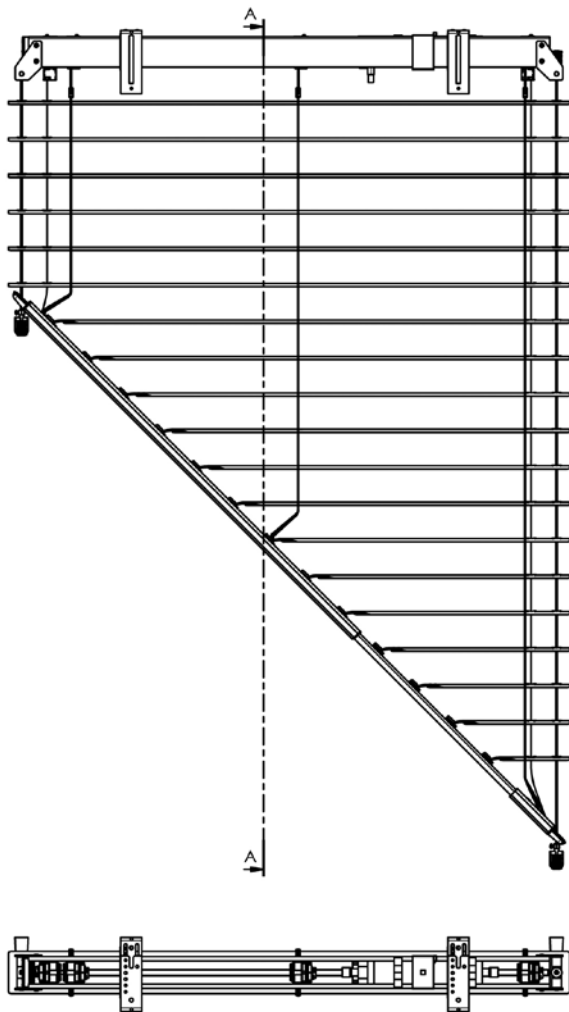
Measurement and Assembly



Sloped Blind Cetta 80F TE Diagram

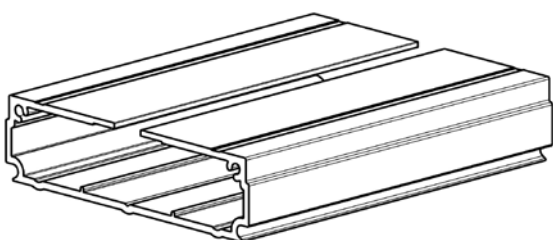
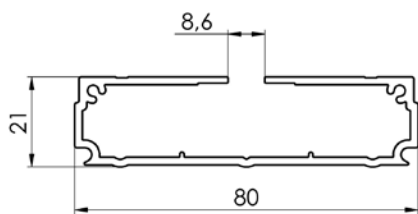


Blind diagram

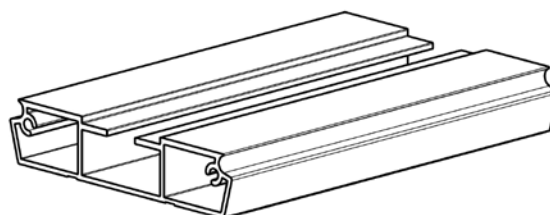
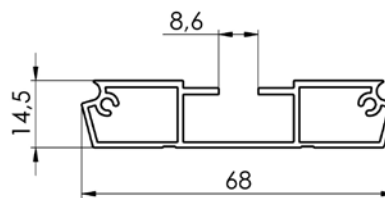
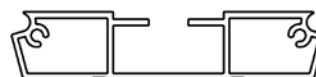


2-01177-XXXX-0

Bottom rail



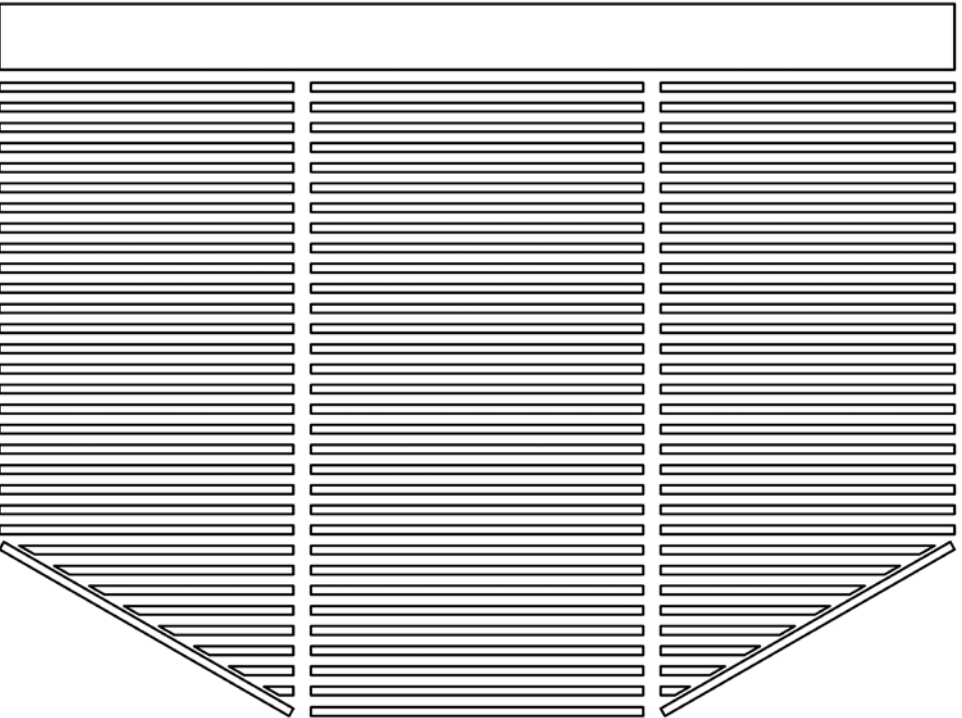
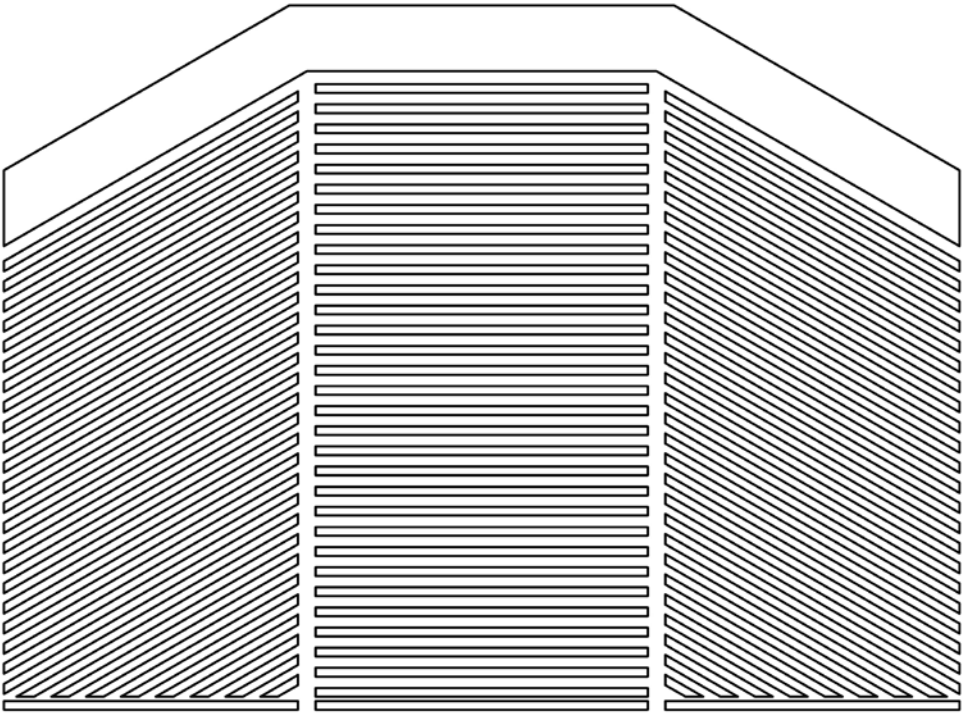
Exterior telescopic channel
3-02490-XXXX-0

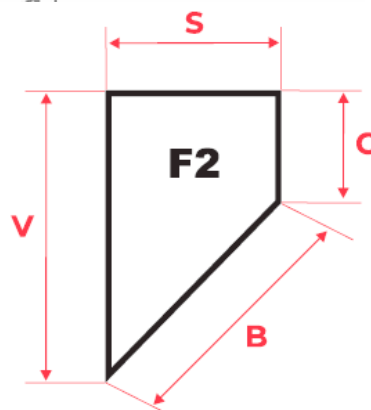
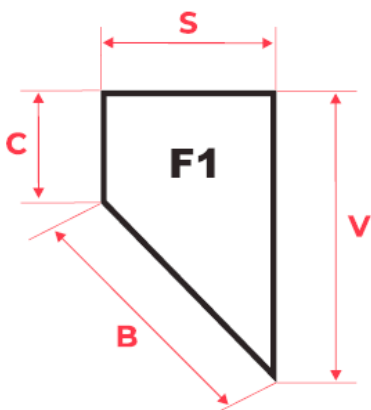
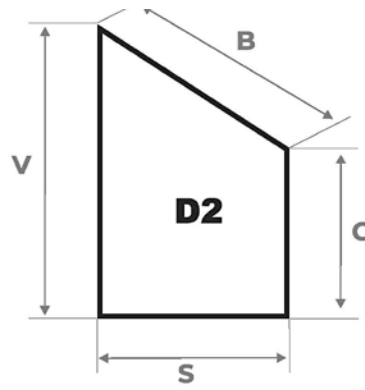
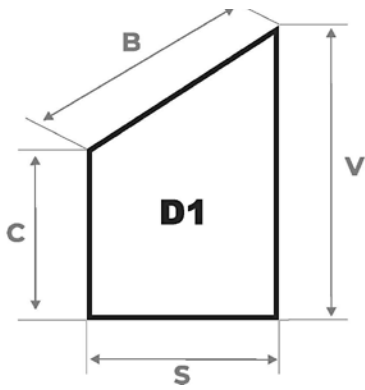
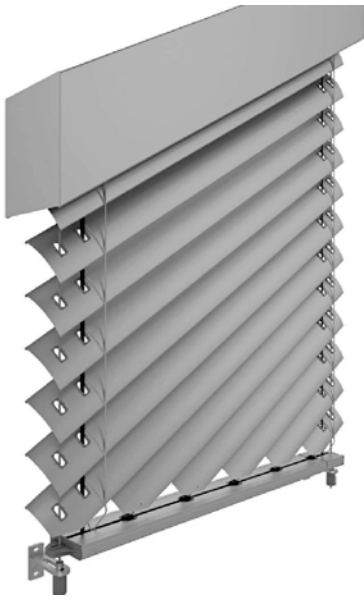


Interior telescopic channel
3-01491-XXXX-0

Control –motor (See page 81)

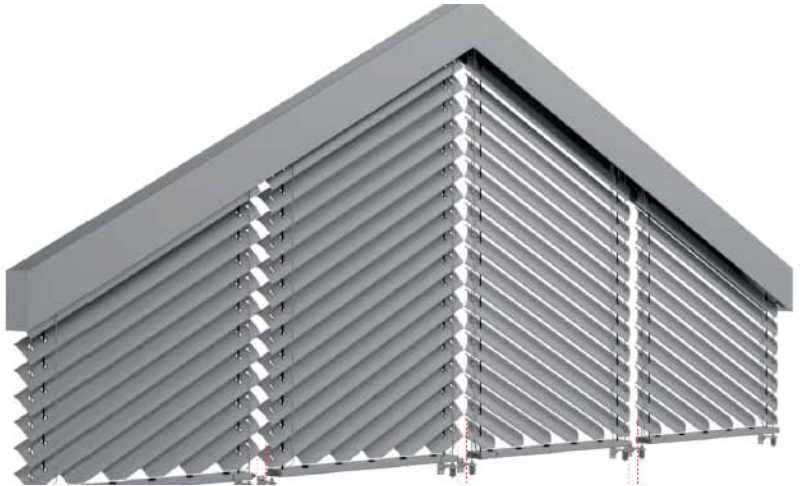
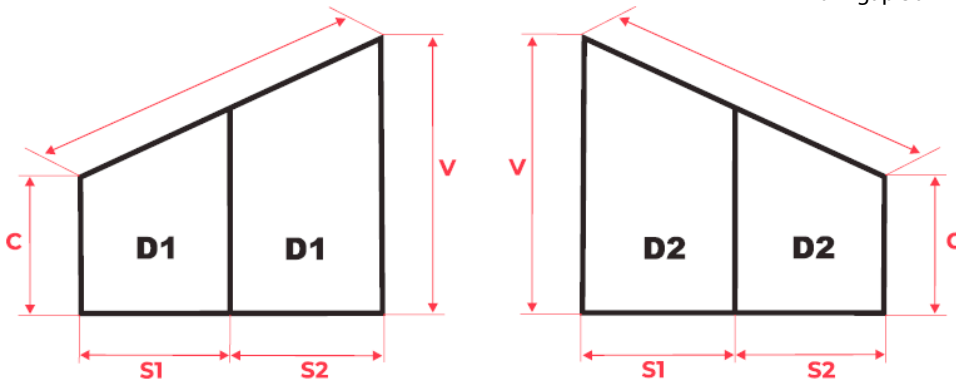
Design variants







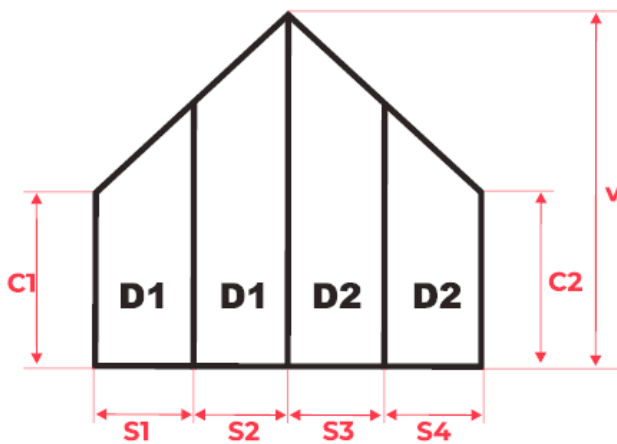
Minimum gap 30 mm



minimum gap 30mm

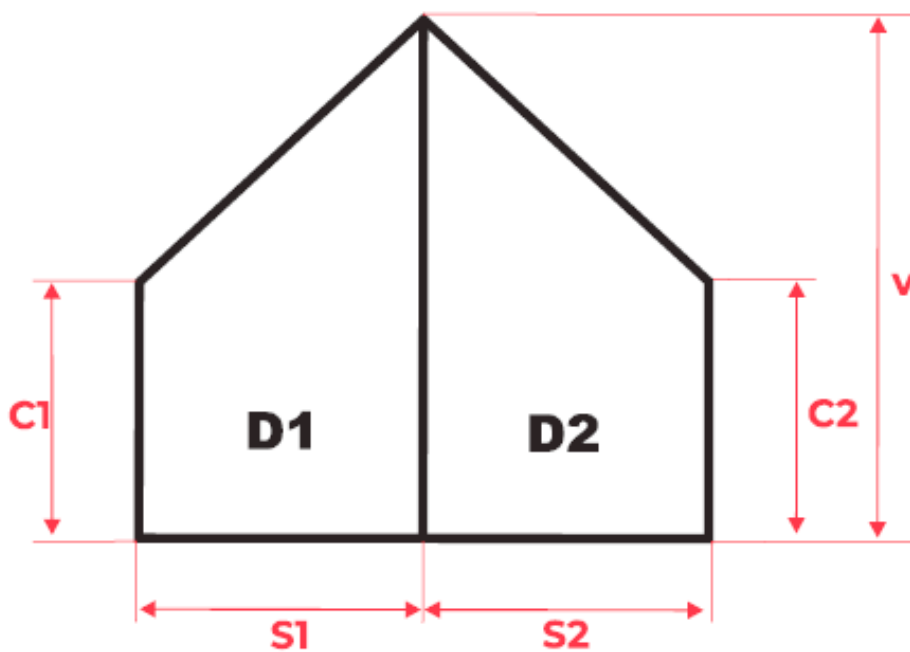
minimum gap 50mm

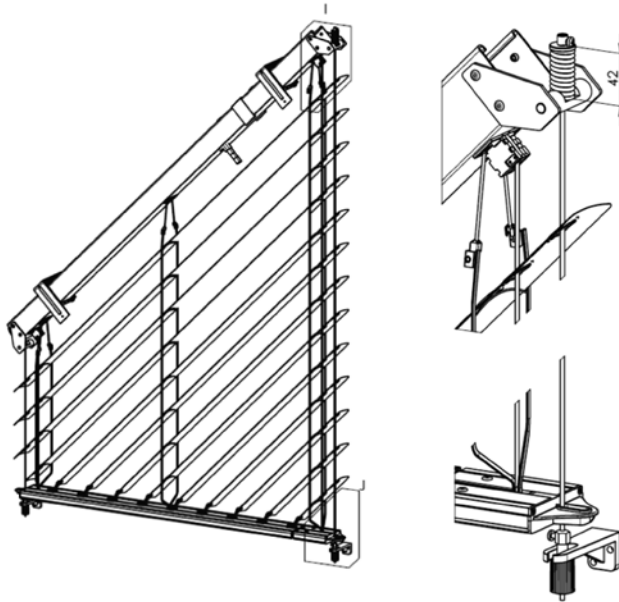
minimum gap 30mm





minimum gap 50mm





Sloped blind – wire tensioning

Using sloped blinds it is necessary to achieve correct wire tension to avoid its big undesirable sag while retracting the blind. Shorter side does not need non-standard tensioning – this is made by common tensioning mechanism. Wire tension strength is approx. 100 N (10Kg).

On the other hand the longer side is equipped with special spring mechanism in upper part. In the lower part you will find standard wire tensioner without spring. With this you will achieve requested strength approx. 300 N (30Kg).

The correct tension can be measured on upper spring where its length including pressed ring shall be around 42mm (see picture).

Following the above steps you will achieve correct tension for smooth run of sloped blinds.

Corner exterior blind

Basic specification

This exterior blind in a coupled version is ideal for corner installations of various buildings. The slats are connected by a stainless chain in a plastic guide. The lower rail profiles are connected using a metallic corner piece inserted in a plastic corner piece. The corner blind can be used for both outside and inside corners, but only for the 90-degree angle! The blind may only be operated by the motor in the larger of the two blinds (driving blind). The motor must be positioned toward the corner in the upper channel. The sum of surface areas of both blinds must not exceed the allowed torque of the motor used. The non-corner sides of the blinds may only be guided in guide rails. The corner blind uses the standard version of the lower rail (non-perpendicular version). The lower rail cannot be tilted it always remains open - horizontal.

Available for the following slats:

- Cetta 80 Flexi
- Zetta 90
- Cetta 80

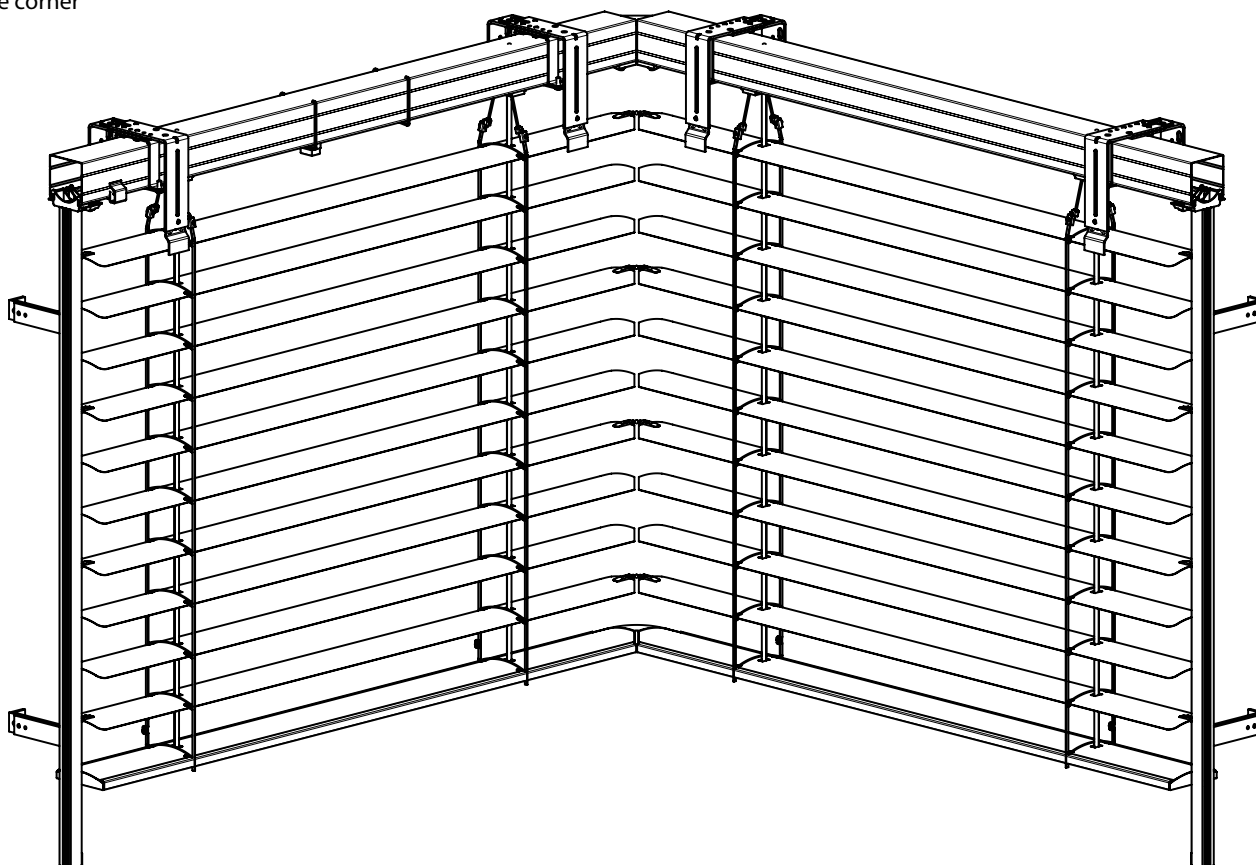
Blind dimensions

Corner blind	Width		Heights		Total guaranteed area (m ²)
	min.	max.	min.	max.	max.
without motor	600	3000	500	4000	7,5
with motor	600	3000	500	4000	12

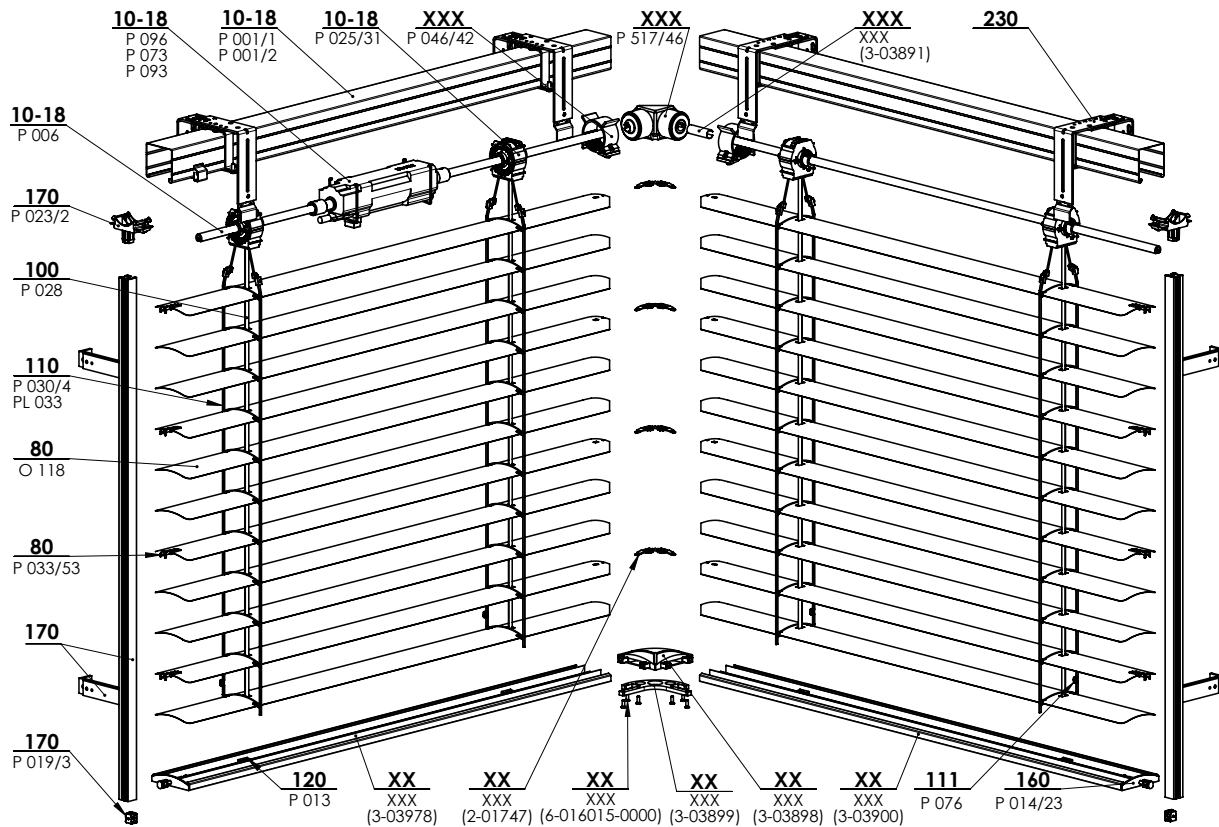
The movement of the blinds in the CORNER product is not synchronous. The reason is the mounting clearance in the shaft laying and in the gearbox.

This is a natural phenomenon that is not a reason for any complaint.

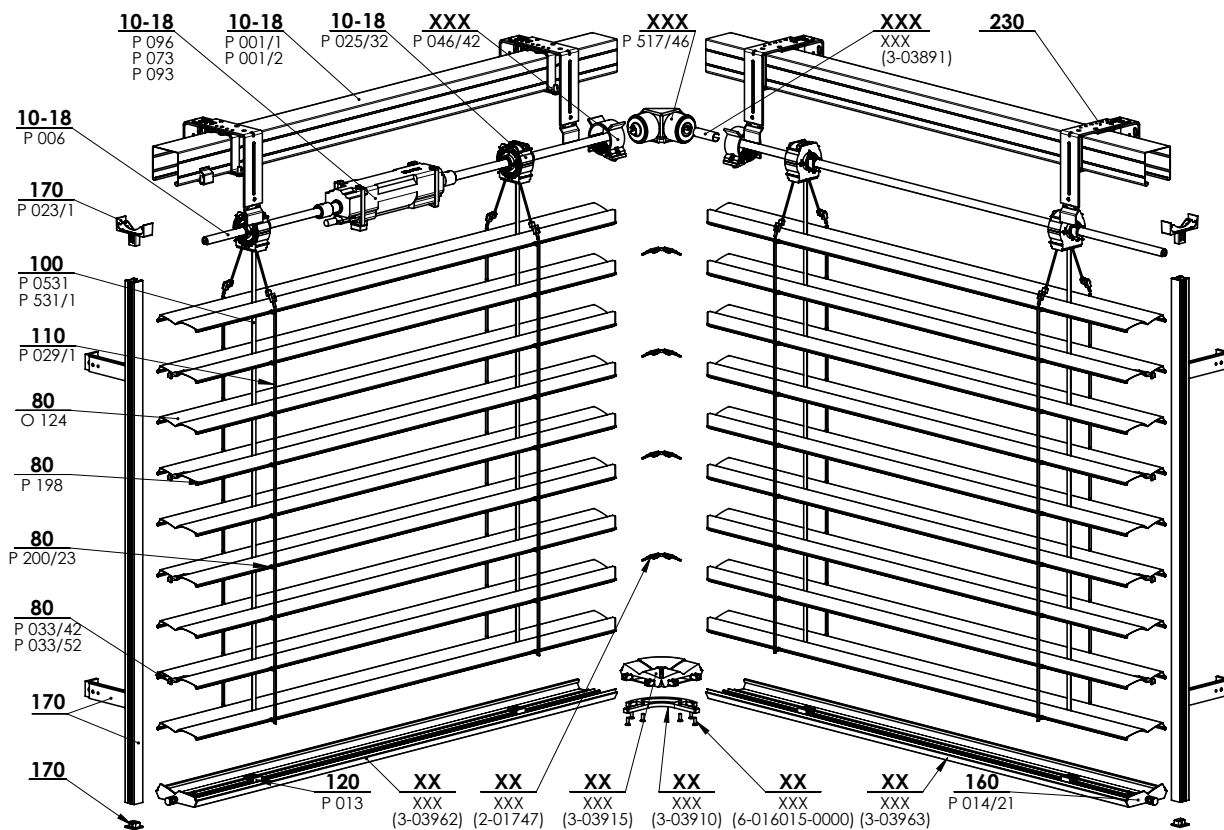
Inside corner



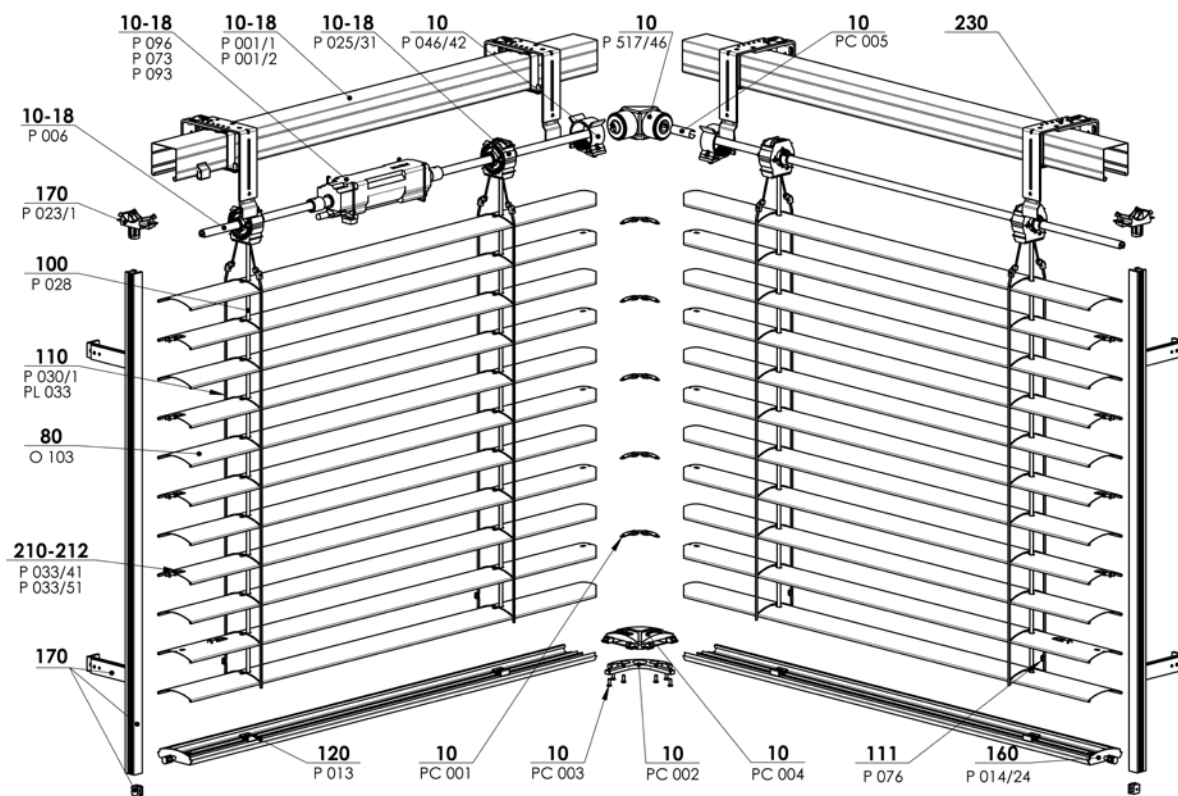
INSIDE CORNER (CETTA 80F)



2-01746-xxxx: Cetta 80 Flexi INSIDE CORNER



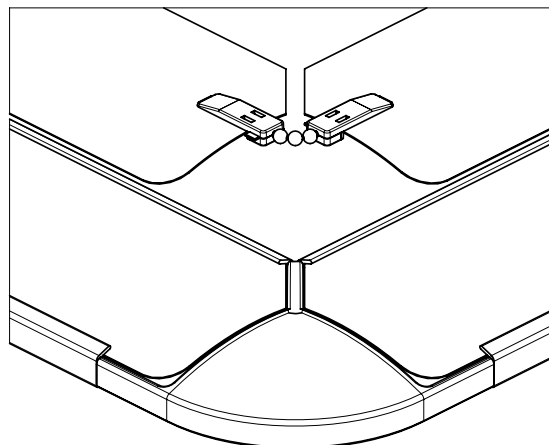
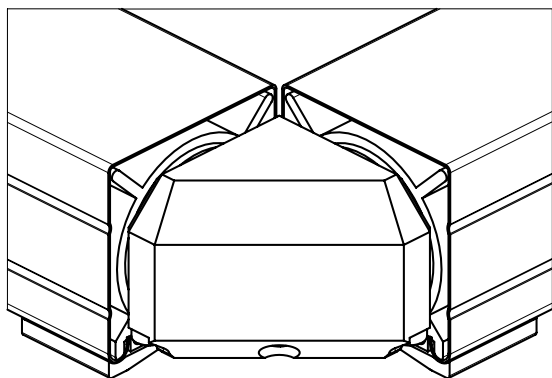
2-01775-xxxx: Zetta 90 INSIDE CORNER

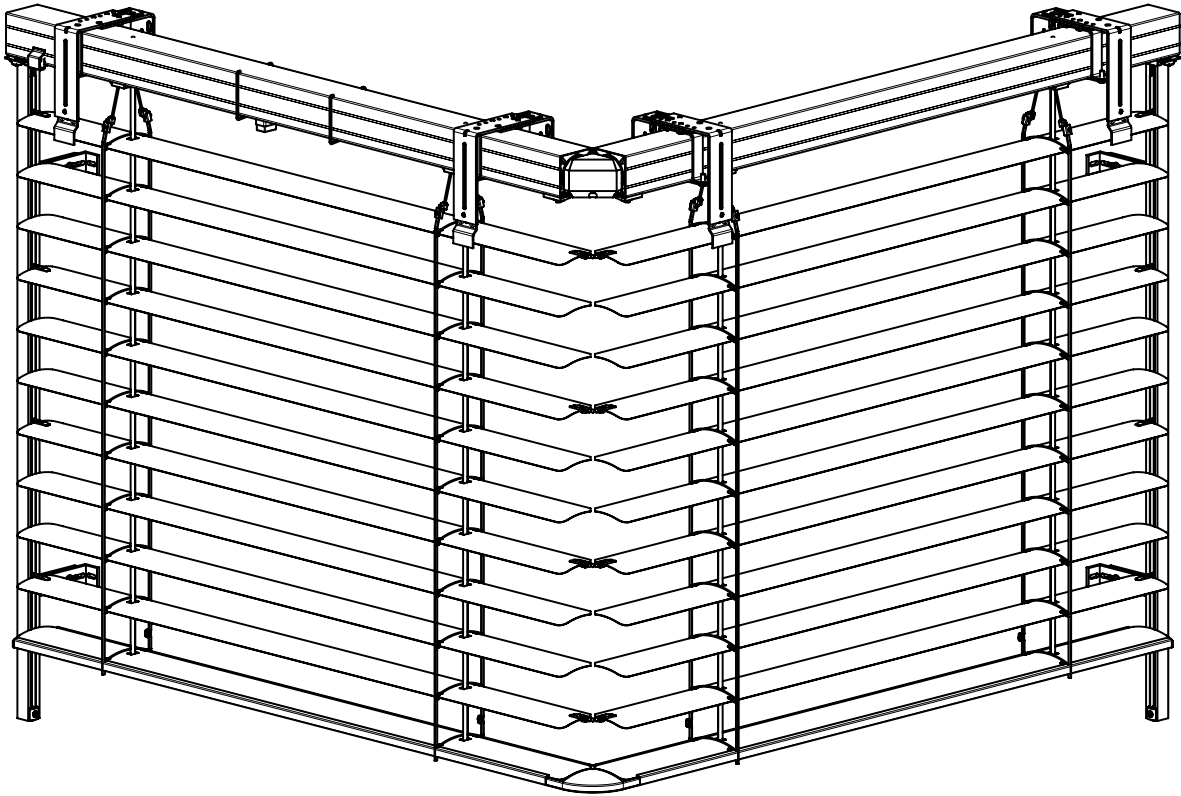


2-01865-xxxx Cetta 80 INSIDE CORNER

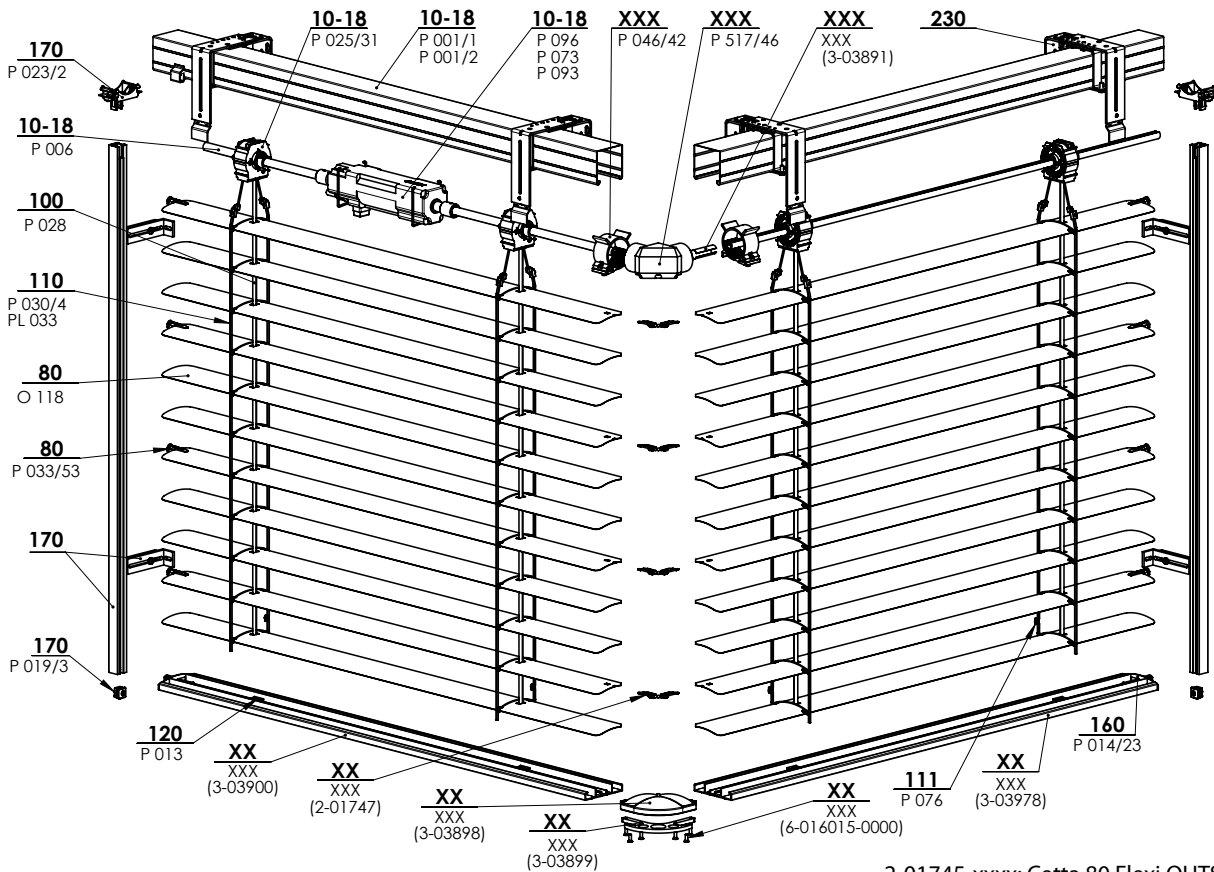
Detail of the connection of upper channels

Detail of the connection of slats and corner lower rails

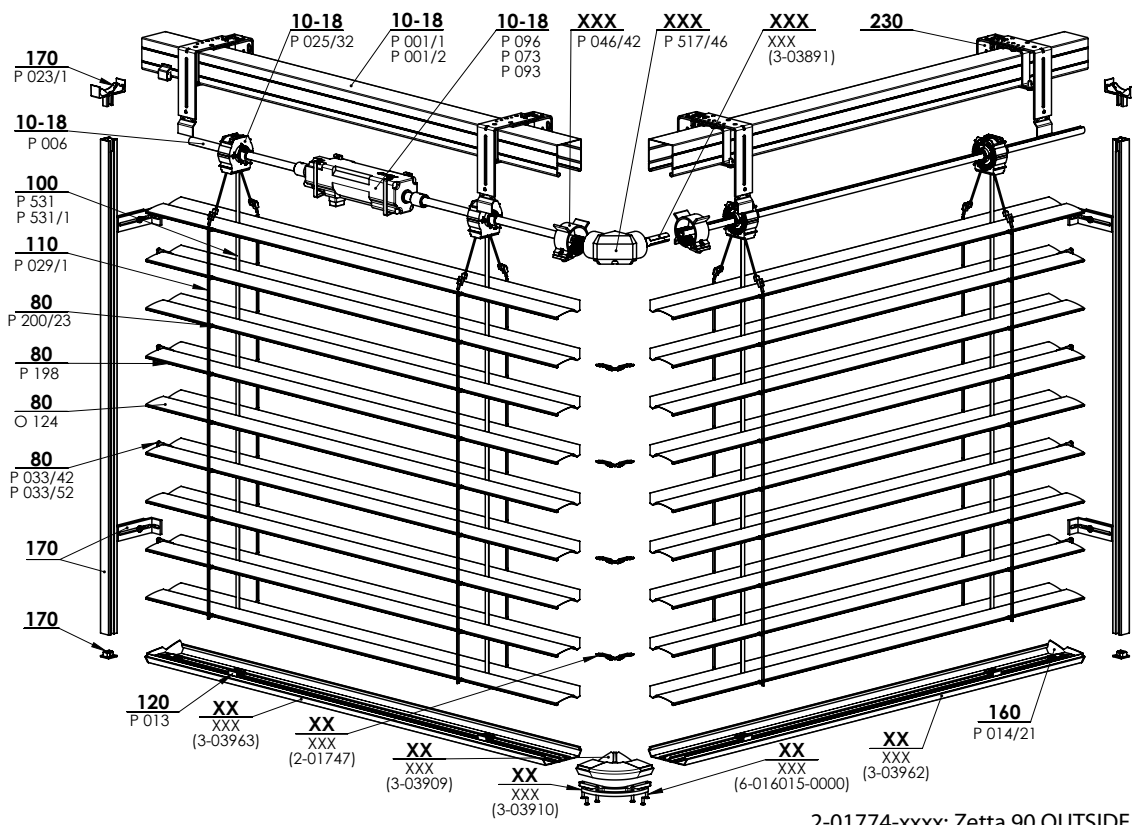




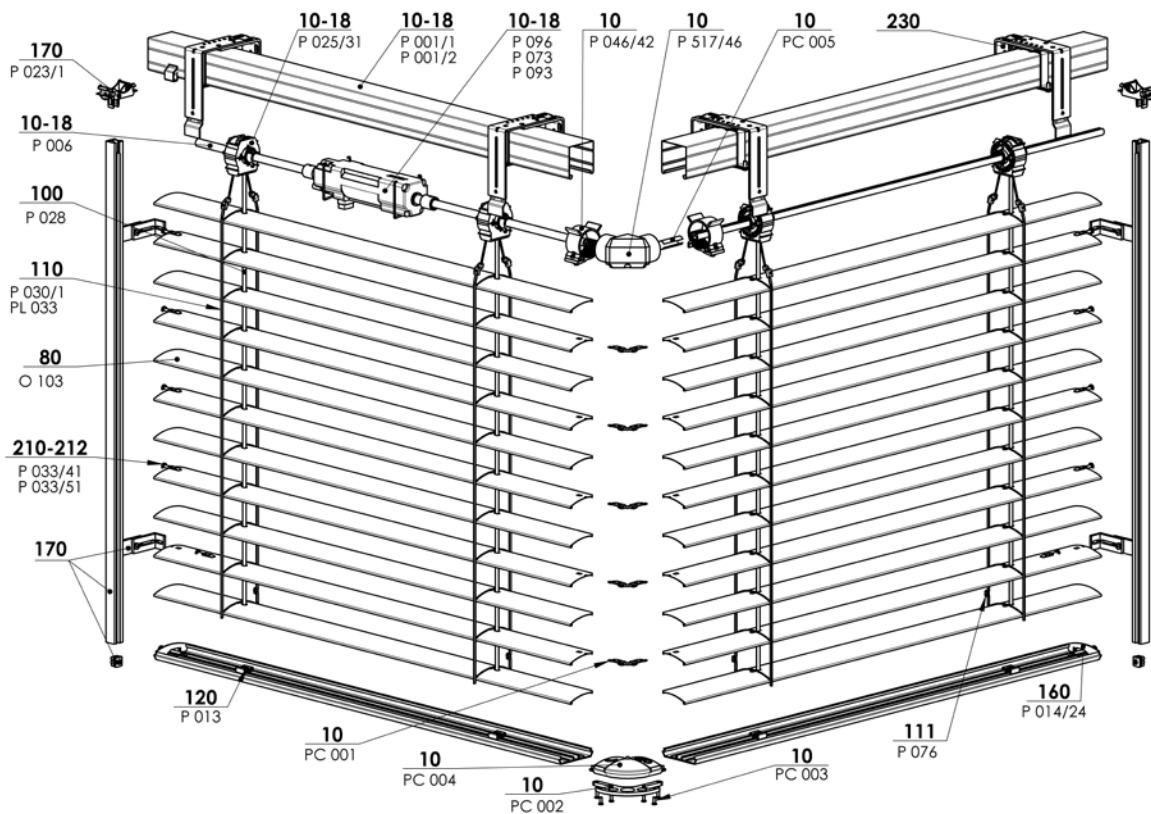
OUTSIDE CORNER (CETTA 80F)



2-01745-xxxx: Cetta 80 Flexi OUTSIDE CORNER



2-01774-xxxx: Zetta 90 OUTSIDE CORNER



2-01865-xxxx Cetta 80 OUTSIDE CORNER

Technical Specification

Slats

Control

Guidance

Blinds Holders

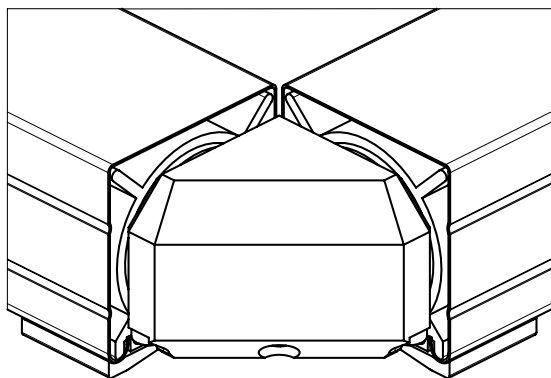
Front Covers

Measurement and Assembly

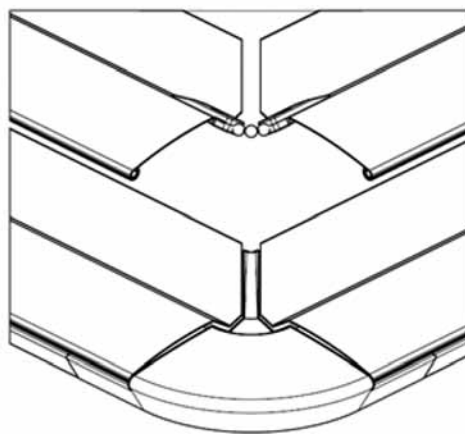
Alternative Designs

Special Designs

Detail of the connection of upper channels

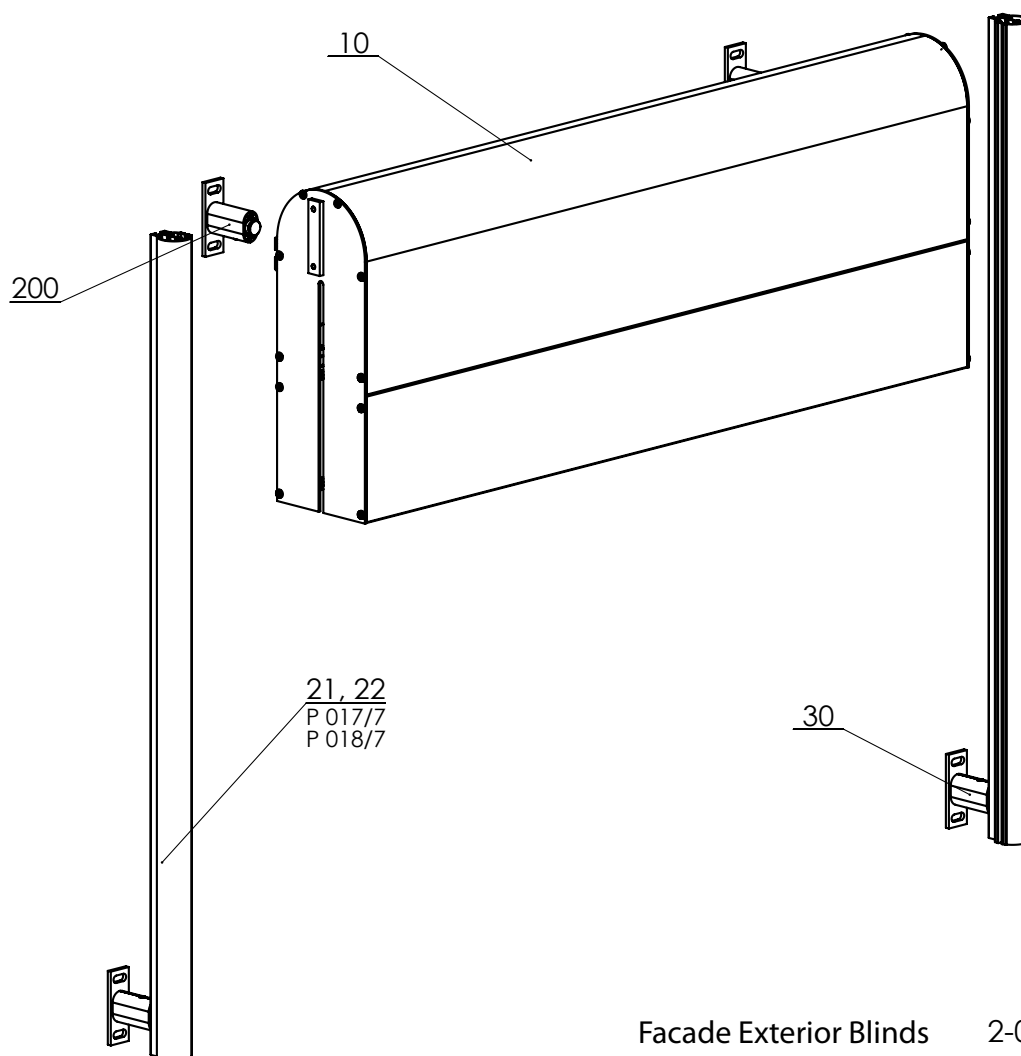


Detail of the connection of slats and corner lower rails



Facade Exterior Blinds

The exterior blinds for facades are installed directly to the building facade in front of the window opening. This version is suitable for Cetta 80 and Zetta 90 blinds. The slats move in round guiding channels, equipped with rubber sealing for silent movement of the blinds. Controls: pulling the blind up and down and rotating the slats by motor only. The standard box size is 240 mm, 332 mm a 392 mm. Box, guide and bottom rails possible in DECORAL and RAL version.



Facade Exterior Blinds 2-00108-XXXX-B

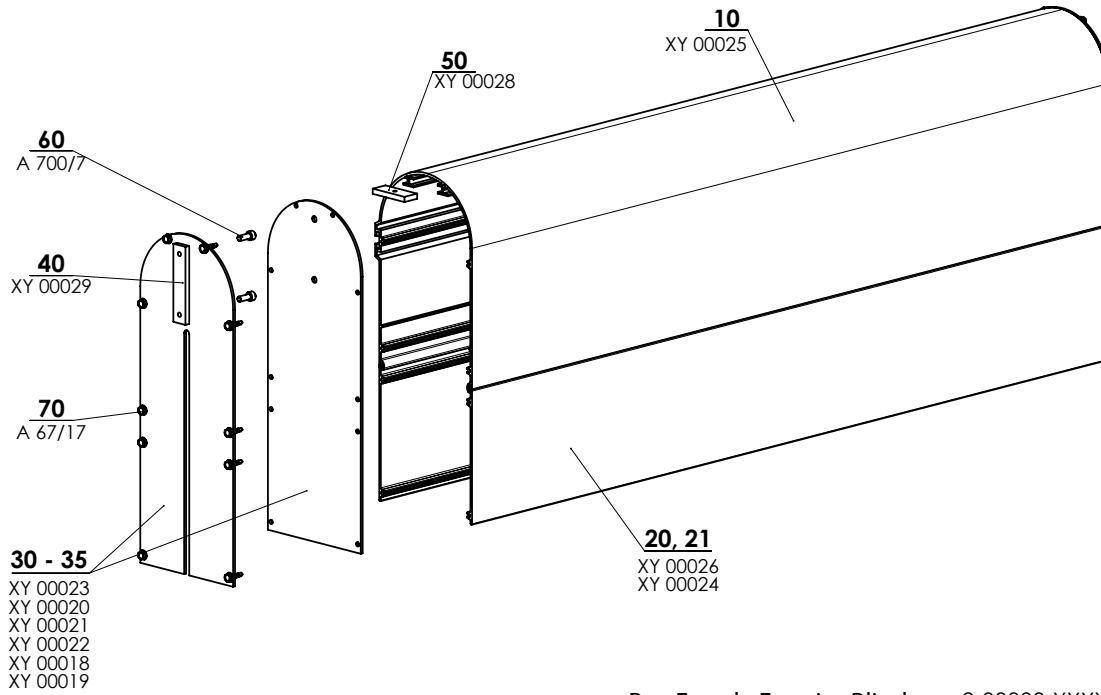
Dimensions of Blinds

Min. width	Max. width	Min. Height	Min. Height	Max. guaranteed area
800	4000	800	4000	16 m ²

Front covers based on blind height (mm)

Box	Cetta 80 (Height)	Zetta 90 (Height)	Cetta 80 Flexi (Height)
Box 240	< 1600	< 2100	< 3600
Box 332	< 3000	< 3700	< 4000
Box 392	< 4000	< 4000	

Set clipboard



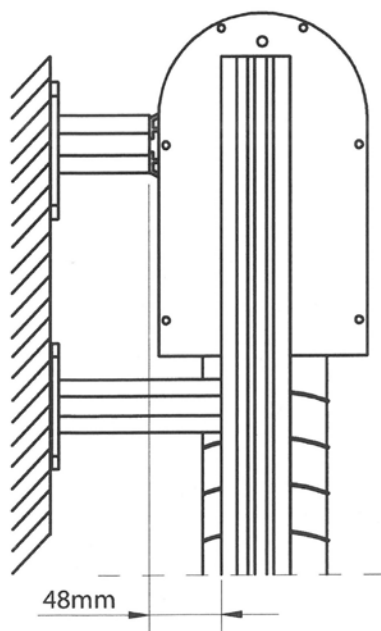
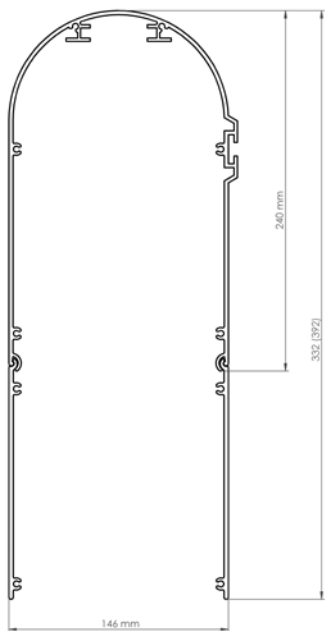
Box Facade Exterior Blinds 2-00800-XXXX-A

Box Facade Exterior Blinds (2-00800-0000)

Position	Item name	Business name - Abbreviation 2	Order number - Abbreviation 1
10	Round cover	XY 00025	7-300678-PU52
20	Round cover extension - 100mm	XY 00024	7-300671-PU52
21	Round cover extension - 160mm	XY 00026	7-300680-PU52
30	Side cap 240mm - without groove	XY 00023	3-02247-PU52
31	Side cap 332mm - without groove	XY 00020	3-02244-PU52
32	Side cap 392mm - without groove	XY 00021	3-02245-PU52
33	Side cap 240mm - with groove	XY 00022	3-02246-PU52
34	Side cap 332mm - with groove	XY 00018	3-02218-PU52
35	Side cap 392mm - with groove	XY 00019	3-02219-PU52
40	Cover fixation plate Fe/Zn	XY 00029	7-300685-PU22
50	Top fixation plate Fe/Zn	XY 00028	7-300684-PU22
60	Screw M6x16	A 700/7	6-010817-0000
70	Screw 4,8x19	A 67/17	6-010851-0000

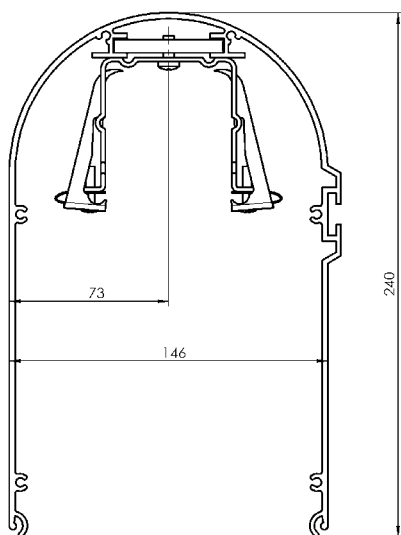
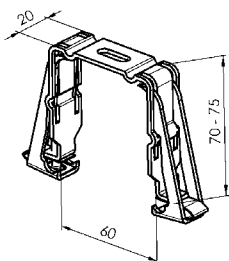
Clipboard Extension

Box Extension



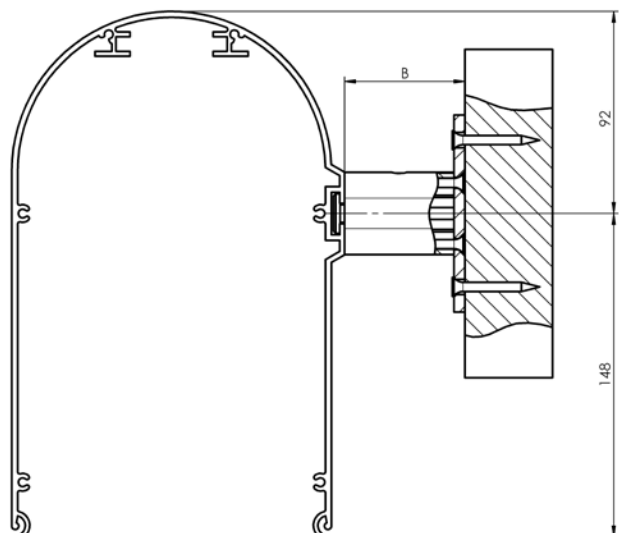
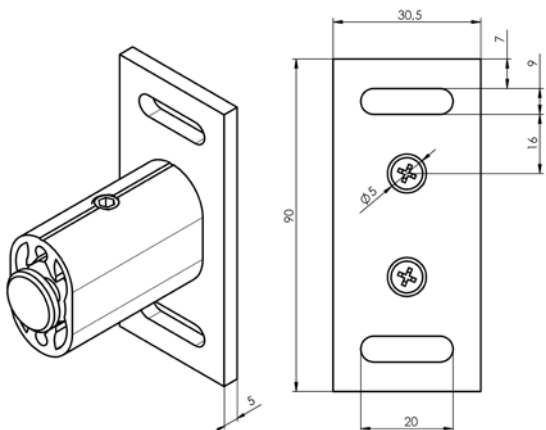
Head rail bracket in box

Head rail bracket mechanical (Fe)
P 002/30 (6-002319)



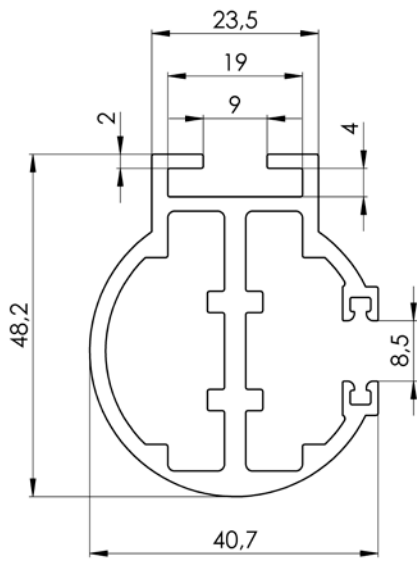
Holder of clipboard

Holder of guiding channel
(2-00799)

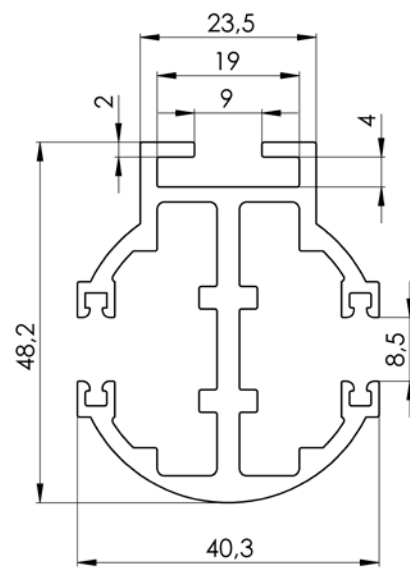


Guiding Channel

Single-Sided Round Channel P 018/7 (7-302154)

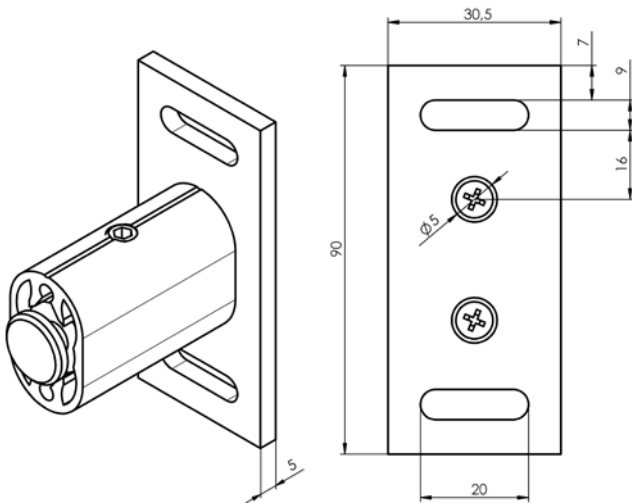


Double-Sided Round Guiding Channel P 017/7 (7-302155)

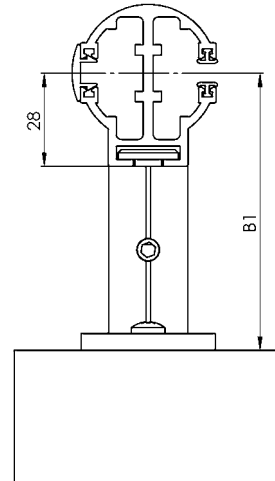


Guiding channel holder

Guiding channel holder
(2-00798)



Guiding Channel attachment



Variations of BOXES

T1	1 section, 1 guiding channel
T1+	1 section, 2 guiding channels
T2	2 sections, 3 guiding channels
T2+	2 sections, 2 guiding channels for each section
T3	3 sections, 4 guiding channels
T3+	3 sections, 2 guiding channels for each section
T4	4 sections, 5 guiding channels
T4+	4 sections, 2 guiding channels for each section
X	Other - consult your SR

The diagrams show the following configurations:

- T1:** One vertical guiding channel.
- T1+:** Two vertical guiding channels, with dimension S1 between them.
- T2:** Three vertical guiding channels, with dimensions S1 and S2 between them.
- T2+:** Two vertical guiding channels per section, with dimensions S1 and S2 between sections.
- T3:** Four vertical guiding channels, with dimensions S1, S2, and S3 between them.
- T3+:** Two vertical guiding channels per section, with dimensions S1, S2, and S3 between sections.
- T4:** Five vertical guiding channels, with dimensions S1, S2, S3, and S4 between them.
- T4+:** Two vertical guiding channels per section, with dimensions S1, S2, S3, and S4 between sections.

Placing of guiding channels

A	Outer guiding channels placed inside cover
B	Outer guiding channels placed outside cover
A/B	Outer guiding channels placed 1x inside and 1x outside cover
B/A	Outer guiding channels placed 1x inside and 1x outside cover

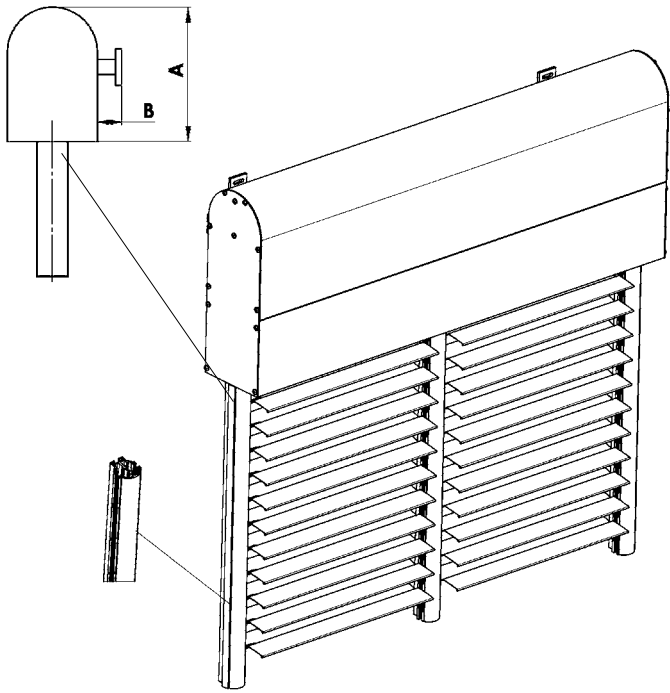
Position A/B and B/A - necessary to consult your SR.

The diagrams show the following placements:

- A:** Two guiding channels are positioned inside the cover.
- B:** Two guiding channels are positioned outside the cover.
- A/B:** One guiding channel is positioned inside the cover and one is positioned outside.
- B/A:** One guiding channel is positioned outside the cover and one is positioned inside.

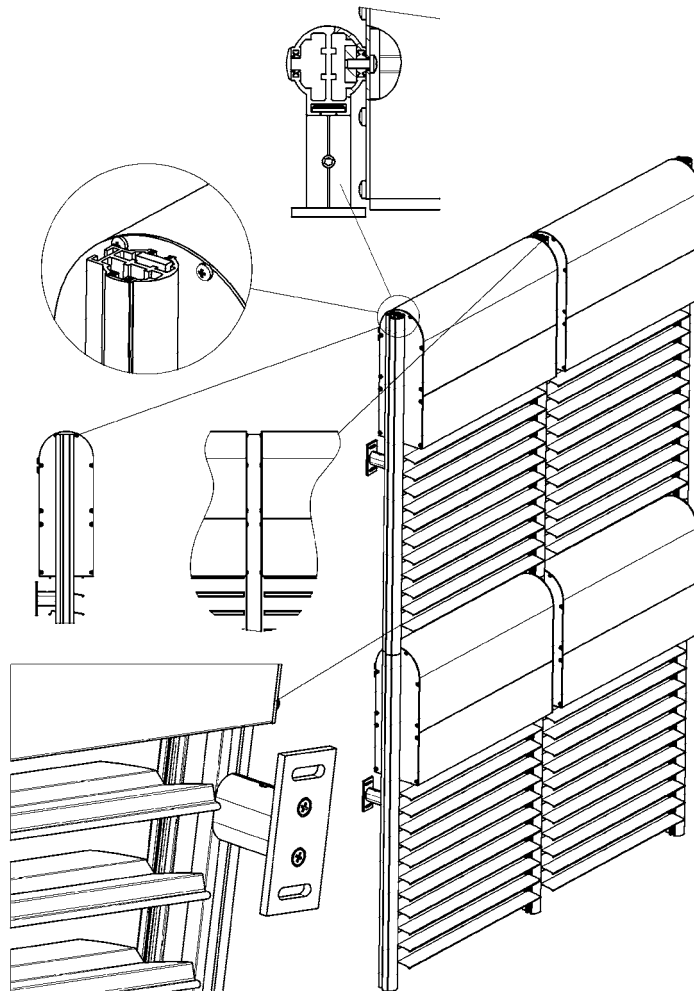
Installation A – guiding channels inside the cassette

One cover plate for more blinds. The guiding channels are installed inside the cassette. The guiding rails are fitted with a rubber gasket. Every other slat is fitted with a guide.



Installation B – guiding channels outside the cassette

The guiding channels constitute the bearing element. The guiding rails with slots are fitted with a rubber gasket. Every other slat is fitted with a guide.



Self-Supporting Blind VIVA

Blind with self-supporting guiding channels and a possibility to integrate an insect screen.

The blind's head rail and the whole slat packet are located in the ready-made box in two versions, in a concealed or revealed finish. Sockets for connecting with the supporting rails are located on the box sides. In case of the concealed version (under plastering), the front as well as the inner side of the box can be fitted with hardened polystyrene foam of 15 mm thickness.

The blind can only be installed in the version with self-supporting guiding channels.

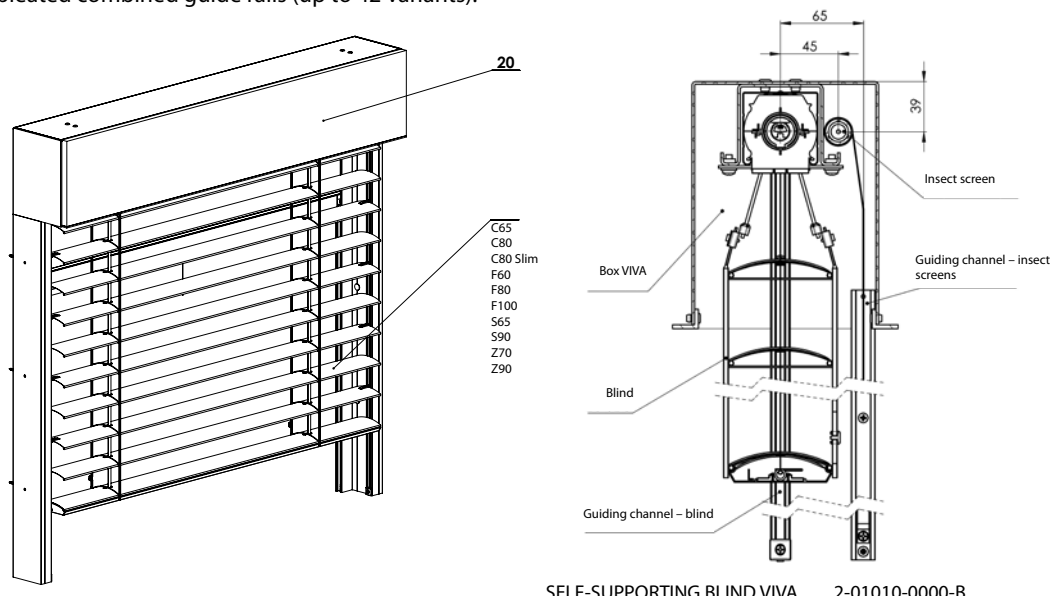
Controls: pulling the blind up and down and setting the slat by motor. The controls can be located anywhere into the box.

Version suitable for all types of exterior blinds except Cetta 50.

Standard height of cover box: 190mm, 220 mm, 260 mm, 300 mm.

Box, guide and bottom rails possible in DECORAL and RAL version.

Wide variability of pleated combined guide rails (up to 42 variants).



SELF-SUPPORTING BLIND VIVA 2-01010-0000-B

Blind dimensions:

	Width (mm)		Height (mm) min.	Guaranteed area (m ²)
	min.	max.		max.
without insect screen	600	4000*	500	12
with insect screen	720	1800	500	3

Reinforcement

- dimension up to 3500 mm:
- steel channel 56x58 mm
- steel sleeve P002 with yoke
- dimension over 3500 mm:
- aluminum channel 58x60 mm
- aluminum expansion profile with clamp



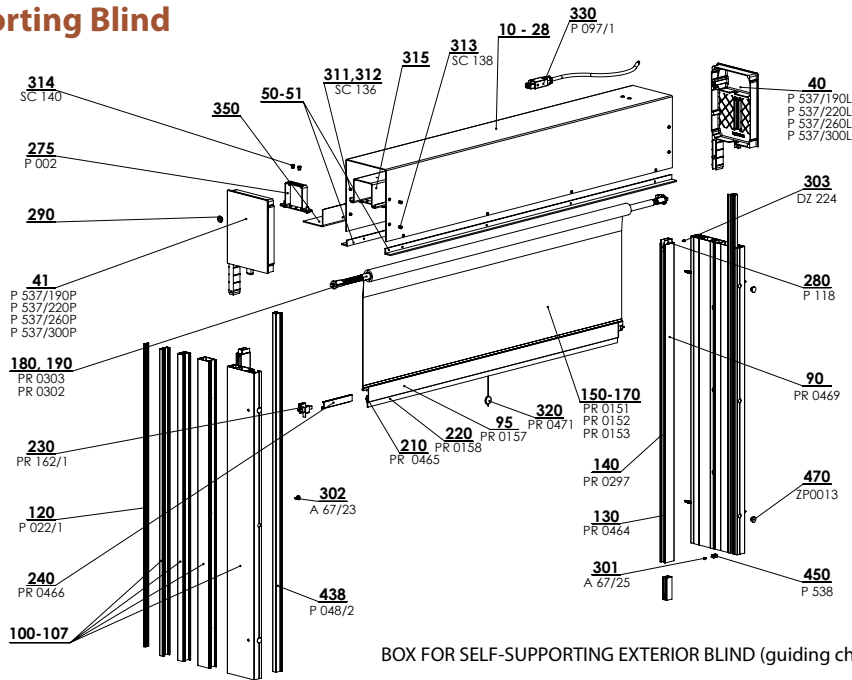
Maximum height of blind (in mm) by the type of slats for the selected dimension of box (without an insect screen)

Blind type / Height of the box in mm	190	220	260	300	300/3500*	Max. area [m ²]
Cetta 65	800	1100	1700	2200	2200	8,8
Cetta 80	900	1300	2000	2600	2600	10,4
Cetta 80 slim	1500	2100	2800	3600	3200	13
Cetta 60 Flexi	2300	3200	4000	4000	4000	16
Cetta 80 Flexi	3000	4000	4000	4000	4000	16
Cetta 100 Flexi	3700	4000	4000	4000	4000	16
Setta 65	1100	1500	2000	2600	2300	10
Setta 90	1600	2100	2900	3700	3400	13
Zetta 70	1100	1500	2100	2800	2500	11
Zetta 90	1400	1900	2700	3400	3100	13

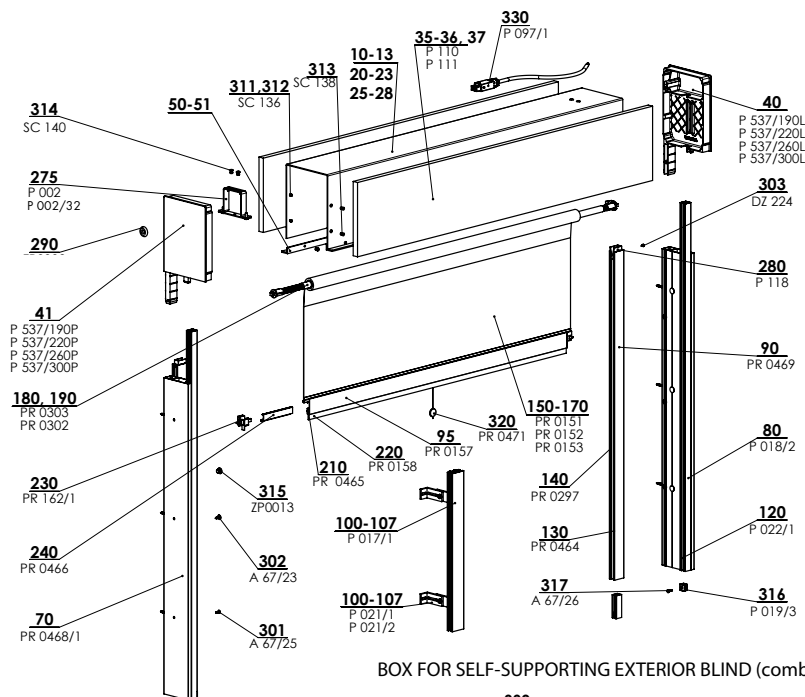
*Note: A reinforcing profile is installed in the box by the width of blind bigger than 3500 mm

Note: Maximum height of the self-supporting blind VIVA with insect screen is 2500 mm.

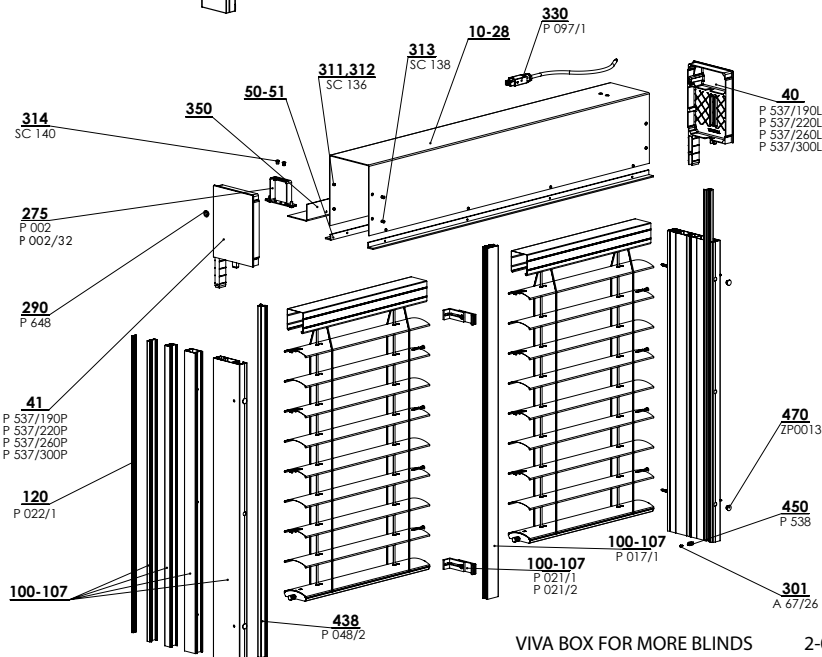
Self-Supporting Blind



2-01016-XXXX-D



2-01016-XXXX-D



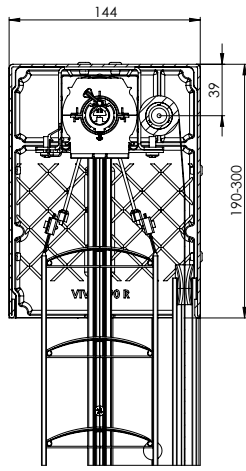
2-01016-XXXX-D

A maximum of 2 blinds and 2 motors can be in one box.

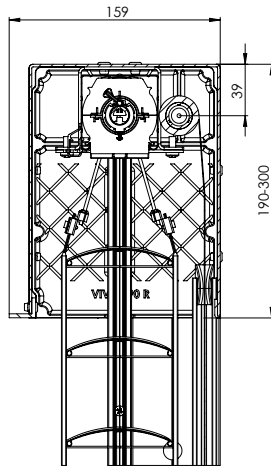
Box for self-supporting exterior blind (2-01016-XXXX)

Position	Item	Business name - Abbreviation 2	Order number - Abbreviation 1
10 - 13	Cover sheet 190/220/260/300 PS		3-02333/34/35/36-PU11
20 - 23	Cover sheet 190/220/260/300 visible		3-02337/38/39/40-PU11
25 - 28	Cover sheet 190/220/260/300 2 PS		3-02423/24/25/26-PU11
35 - 36	Foam polystyrene EPS200S 190/220/260/300 x 10 x L bm	P 110/190,220,260,300	6-015901-XXXX
37	Hybrifix - 600 ml IDB (MS Unifix) - whit, glue	P 111	6-012304-0000
40	Sidewall 190 left, cast - VIVA	P 537/190L/220L/260L/300L	7-303226/28/30/32-0000
41	Sidewall 190 right, cast - VIVA	P 537/190P/220P/260P/300P	7-303225/27/29/31-0000
50 - 51	Al Profile, L - 20x15x3 SEGMENTED (RAL)		3-03351-PU11
70/10	Guide rail RS 75/1	PR0468/1	7-303417-0000
80/10, 11	Guide rail profile, simple RAW / ELOX	P 018/2XX 0000/PU52	7-302122-0000/PU52
90/10, 20	Guide rail A 22 COLOURLESS	PR0469	6-011268-0000
95	End rail of the lower rail-I	PR0157	3-01139-PU11
100 - 107	Guide rail profile, double RAW / ELOX	P 017/1X 0000/PU52	7-302123-0000/PU52
100 - 107	Guide rail holder 75-102mm	P 021/1	2-00051-XXXX
100 - 107	Guide rail holder 102-154mm	P 021/2	2-00051-XXXX
100 - 107	Guide rails - combined		see page148
120	Guide rail insert- KEDR - BLACK	P 022/1 9004	7-301351-9004
130	Blackout sealing brush 9mm	PR0464	6-001801-0000
140	Oblique brush - for guide rail A20	PR0297	6-006875-0000
150-170	Insect screen ISG 600x130/170/250 cm	PR 151/152/153	6-001939/37/38-0000
180	Spring mechanics - up to width 720 without brake	PR0303	6-010476-0000
190	Spring mechanics - from width 720 with brake	PR0302	6-010475-0000
210	Lower rail brush-I at the back 12,5 mm	PR0465	6-011337-0000
220	Lower rail brush-I 4,8x20mm	PR0158	6-001749-0000
230	Easy-Click parts set for A 20	PR0162/1	6-001942-0000
240	Lower rail handle-I	PR0466	6-011245-0000
275	Upper rail hanger - Fe PROFILE	P 002	2-00038-0000
275	Upper mechanical rail hanger - Fe PROFIL with isolation	P 002/32	6-015772-0000
280	Screen start of EB	P 118	3-02301-0000
290	Rubber cable, plastic, black		6-017078-0000
301	Screw 2,9x9,5, DIN 7504 M, Zn, semi-spherical, cross-headed	A 67/25	6-011906-0000
302	Self-cutting screw with collar 4,2x13	A 67/23	6-011397-0000
303	Screw 2,9x6,5, DIN 7981 C,H, Zn, semi-spherical, cross-headed	DZ 224	6-003135-0000
311, 312	Blind rivet Al 4x10 DIN 7337 A, colourless	SC 136	6-002680-0000
313	Blind rivet Al 4x10, countersunk, DIN 7337 B, colourless	SC 138 0000	6-003759-0000
314	Blind rivet Al 5x10 DIN 7337 A, colourless	SC 140 0000	6-012369-0000
315	End cap 10 mm	ZP0013/XXXX	3-03684-XXXX
316	Guide rail stop - set	P 019/3 9004	2-01097-9004
317	Screw 3,5x16 DIN 7982 C-H A2, countersunk, cross-headed	A 67/26	6-003097-0006
320	Cord with tassel - BLACK	PR0471	6-011033-0000
330	Cable Hirschmann 4000 mm	P 097/1 4000	2-01037-4000
350	Cover bent plate, VIVA, 10 mm		3-03283-0010
438	Insert of under-plaster rail with pocket PVC BLACK / -4m	P 048/2 9017/90174	7-303507-9017/90174
450	Lower stopper	P 538/9004	3-03286-9004

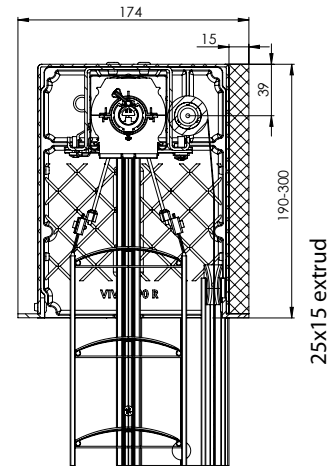
Upper profile cross section



Cross section for the visible self-supporting blind Viva

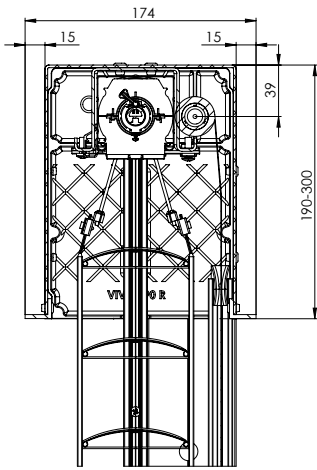


Cut of under plaster self-supporting blind VIVA (ready for polystyrene on front part)

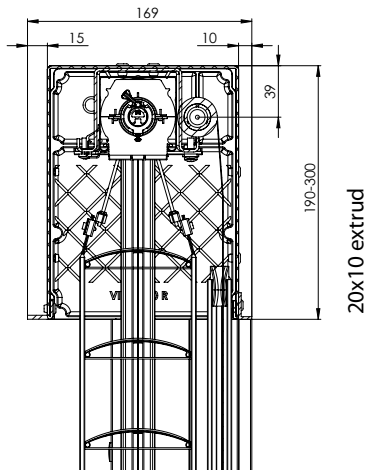


Cut of under plaster self-supporting blind VIVA (ready for polystyrene on front part + polystyrene on back part). Heat insulation behind the box must not exceed 15 mm regardless of the box offset! Extruded

25x15 extrud

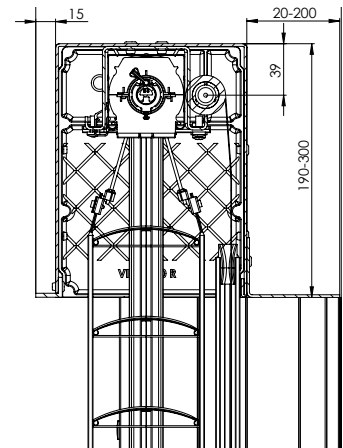


Cut of under plaster self-supporting blind VIVA (ready for polystyrene on both parts)



Cut of under plaster self-supporting blind VIVA (Used expansion profile 10mm) (ready for polystyrene on front part)

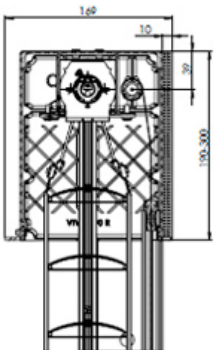
20x10 extrud



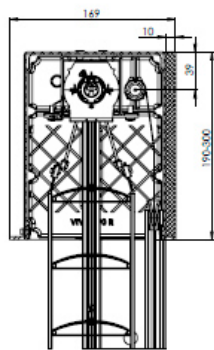
Cut of under plaster self-supporting blind VIVA (Used expansion profile 10mm) (ready for polystyrene on front part)

Bent sheet metal

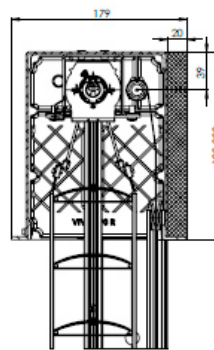
Note: Dimensional tolerances for input values +/- 2 mm



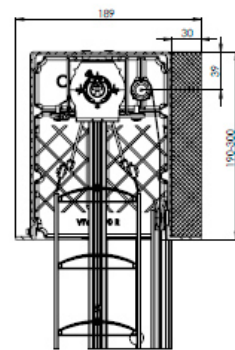
Section of built-in self-supporting blind Viva (prepared for polystyrene from the front + Altermo quattro 10 from the back)



Section of built-in self-supporting blind Viva (prepared for polystyrene from the front + styrodur 10 from the back)



Section of built-in self-supporting blind Viva (prepared for polystyrene from the front + styrodur 20 from the back)



Section of built-in self-supporting blind Viva (prepared for polystyrene from the front + styrodur 30 from the back)

The table of combined guide channels P020 with plastic guide insert

Dimension	Business name	Business name	Picture of guide channels
76 mm	P 020/00	5_P 020/00vrO	
86 mm	P 020/01	5_P 020/01vrO	
96 mm	P 020/02	5_P 020/02vrO	
106 mm	P 020/03	5_P 020/03vrO	
116 mm	P 020/04	5_P 020/04vrO	
126 mm	P 020/05		
136 mm	P 020/06		
146 mm	P 020/07		
156 mm	P 020/08		
166 mm	P 020/09		
176 mm	P 020/10		
186 mm	P 020/11		
196 mm	P 020/12		
206 mm	P 020/13		

Technical Specification

Slats

Control

Guidance

Blinds Holders

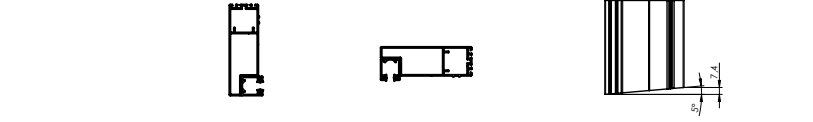
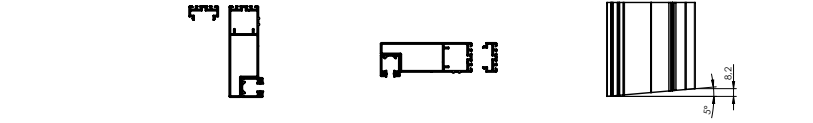
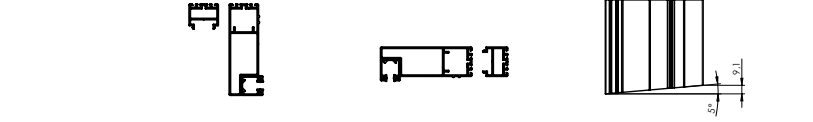
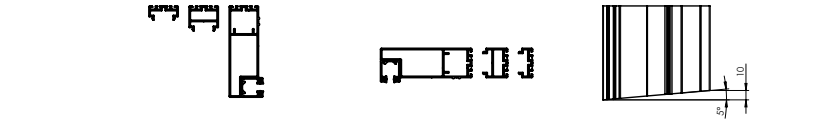
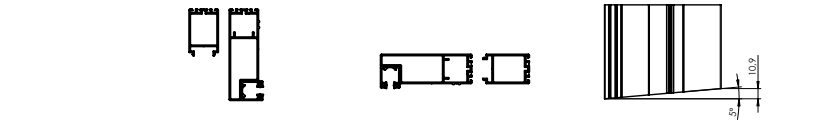
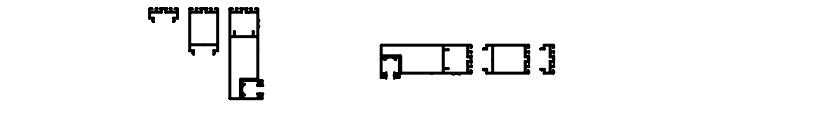
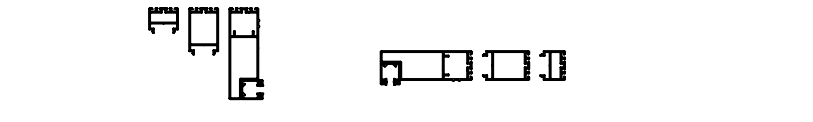
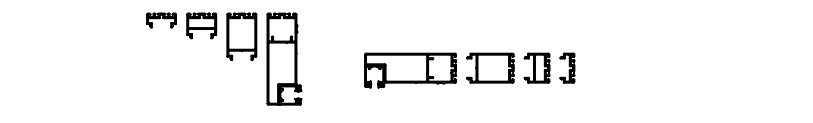
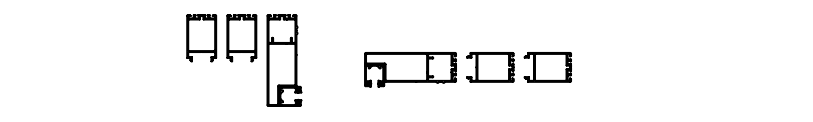
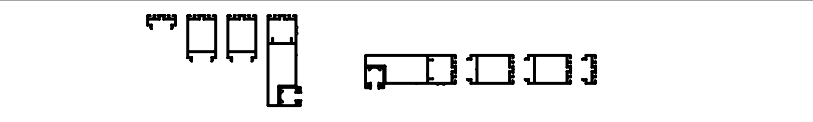
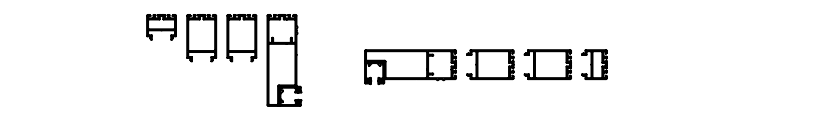
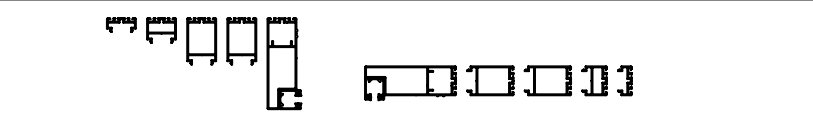
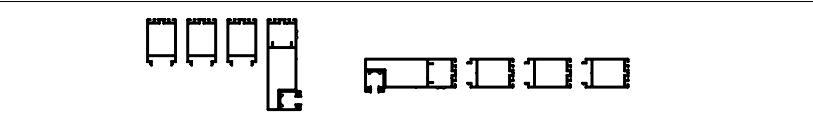
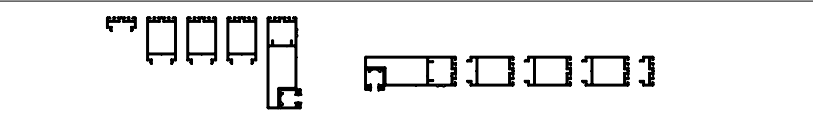
Front Covers

Measurement and Assembly

Alternative Designs

Special Designs

The table of combined guide channels P080 with P018/2 guide rail

Dimension	Business name	Business name	Picture of guide channels
75 mm	P 080/00	5_P 080/00vrO	
85 mm	P 080/01	5_P 080/01vrO	
95 mm	P 080/02	5_P 080/02vrO	
105 mm	P 080/03	5_P 080/03vrO	
115 mm	P 080/04	5_P 080/04vrO	
125 mm	P 080/05		
135 mm	P 080/06		
145 mm	P 080/07		
155 mm	P 080/08		
165 mm	P 080/09		
175 mm	P 080/10		
185 mm	P 080/11		
195 mm	P 080/12		
205 mm	P 080/13		

The table of combined guide channels P081 with aluminium guide insert

Dimension	Business name	Business name	Picture of guide channels		
76 mm	P 081/00	5_P 081/00vrO			
86 mm	P 081/01	5_P 081/01vrO			
96 mm	P 081/02	5_P 081/02vrO			
106 mm	P 081/03	5_P 081/03vrO			
116 mm	P 081/04	5_P 081/04vrO			
126 mm	P 081/05				
136 mm	P 081/06				
146 mm	P 081/07				
156 mm	P 081/08				
166 mm	P 081/09				
176 mm	P 081/10				
186 mm	P 081/11				
196 mm	P 081/12				
206 mm	P 081/13				

Technical Specification

Slats

Control

Guidance

Blinds Holders

Front Covers

Measurement and Assembly

Alternative Designs

Special Designs

Basic profile P 020

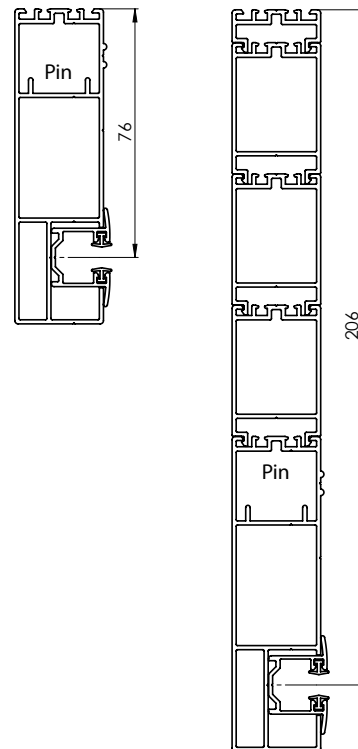
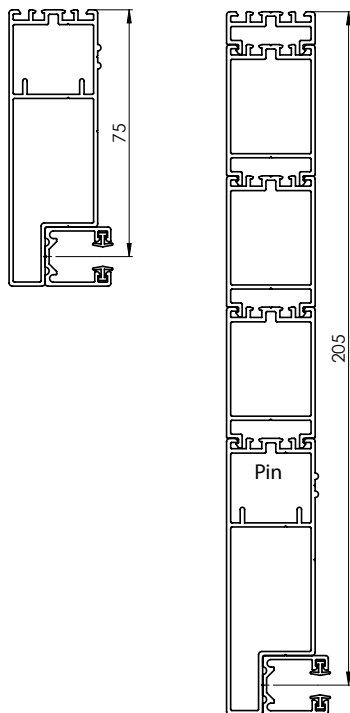
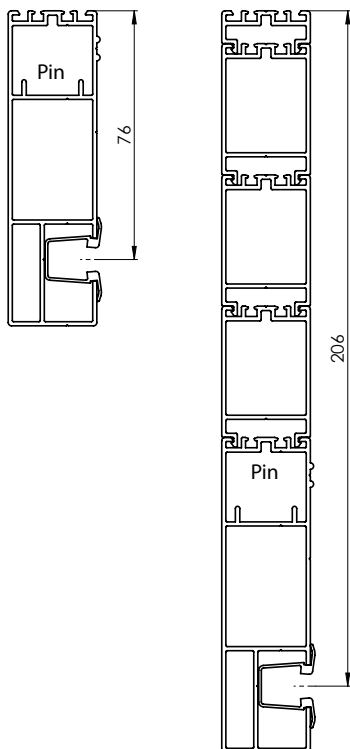
Maximum possible extension of the basic profile P 020.

Basic profile P 080

Maximum possible extension of the basic profile P 080.

Basic profile P 081

Maximum possible extension of the basic profile P 081.

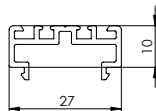
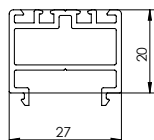
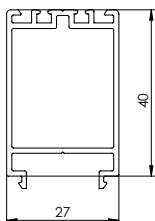


Expansion profiles for P 020, P 080, P 081

Expansion profile 40 mm P 048/40

Expansion profile 20 mm P 048/20

Expansion profile 10 mm P 048/10



Combined guide channels P 020

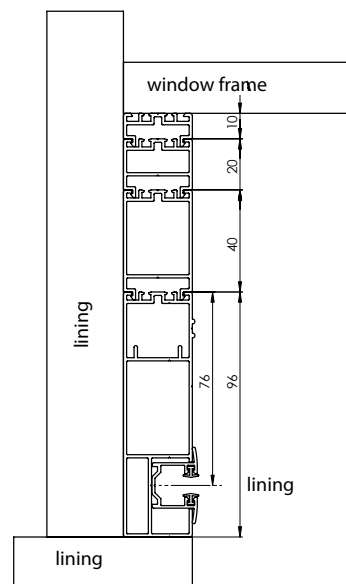
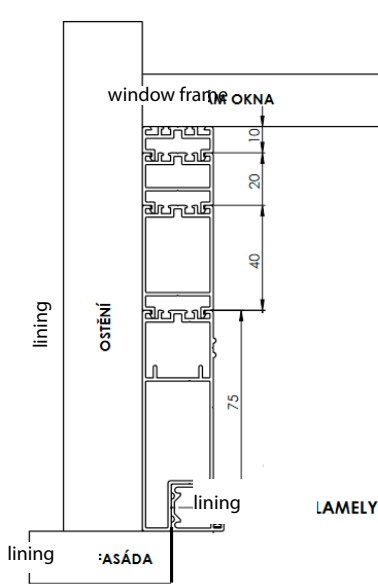
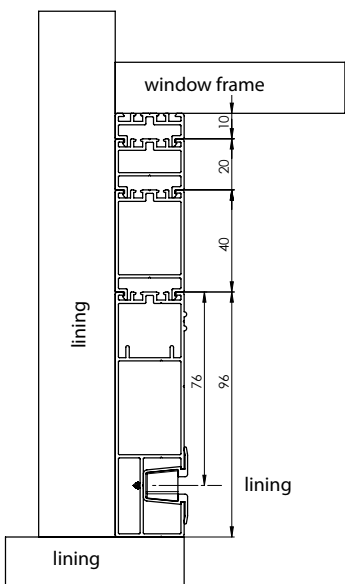
The smallest dimension of the guide channels is 76 mm (that is, it is only about assembly of the concealing guide channel - see picture).

Combined guide channels P 080

The smallest dimension of the guide channels is 75 mm (that is, it is only about assembly of the concealing guide channel - see picture). The rail must not be covered in plaster in the reveal!

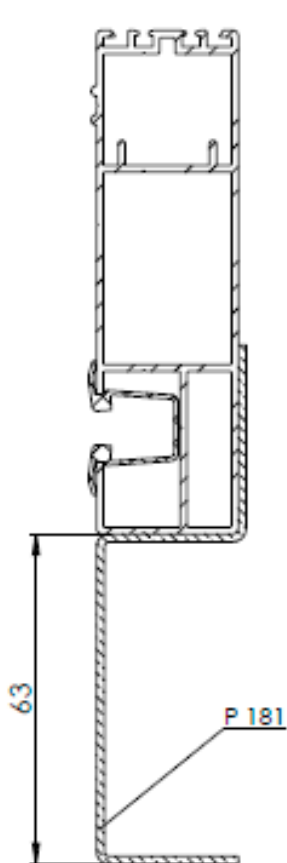
Combined guide channels P 081

The smallest dimension of the guide channels is 76 mm (that is, it is only about assembly of the concealing guide channel - see picture).

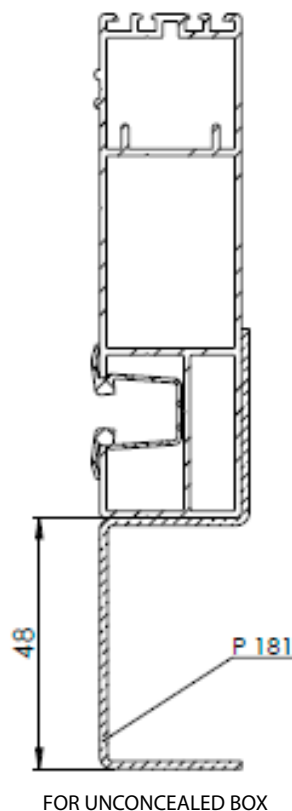


FILLING PROFILES FOR P 020 AND P 081 GUIDE RAILS

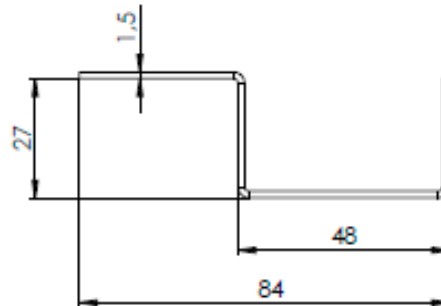
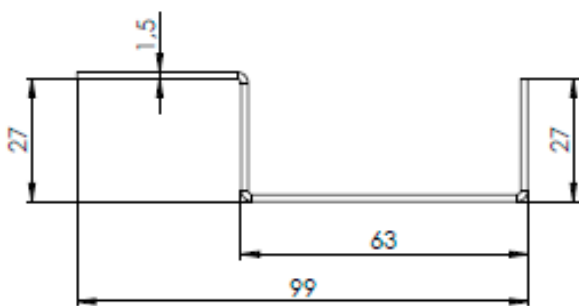
Filling profile VIVA split P 181/00 (3-04134-0000)



FOR BOX WITH PREPARATION FOR POLYSTYRENE FROM THE FRONT SIDE



FOR UNCONCEALED BOX



Technical Specification

Slats

Control

Guidance

Blinds Holders

Front Covers

Measurement and Assembly

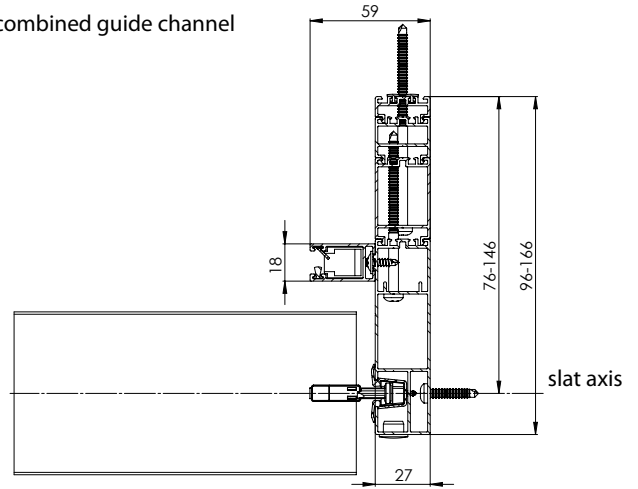
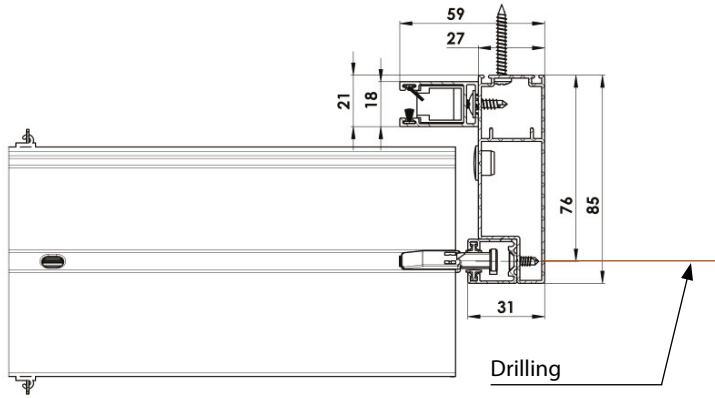
Alternative Designs

Special Designs

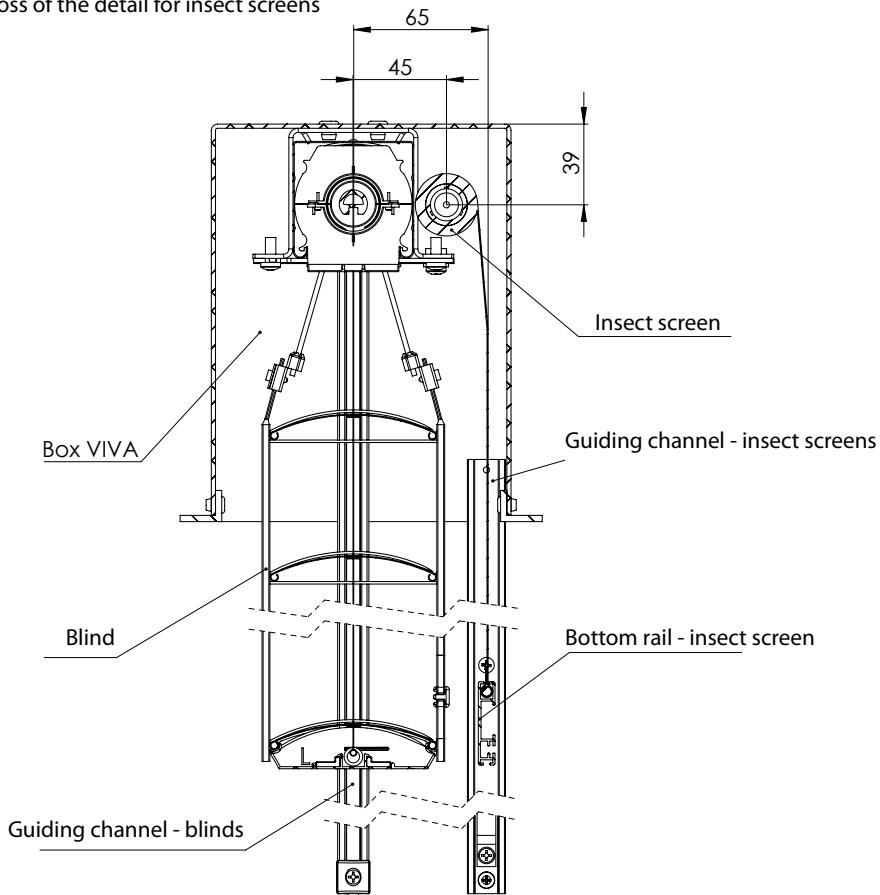
Cross section of the guide channel

Cross of the guide channel P 080

Cross of the combined guide channel



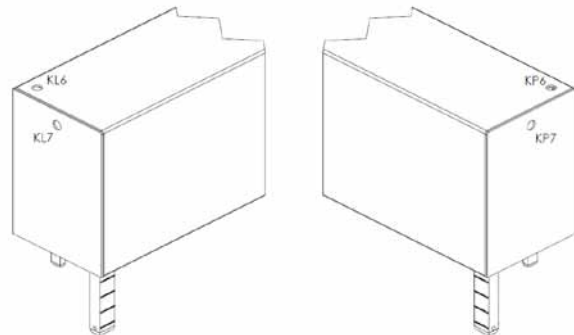
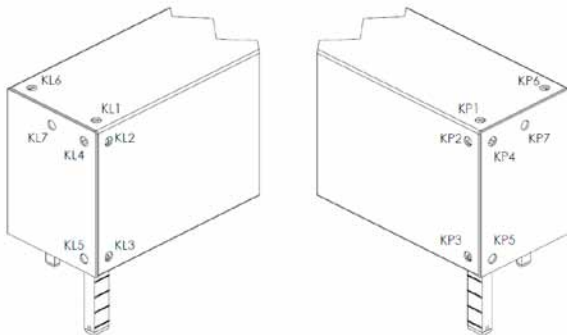
Cross of the detail for insect screens



Control Placement

Viva

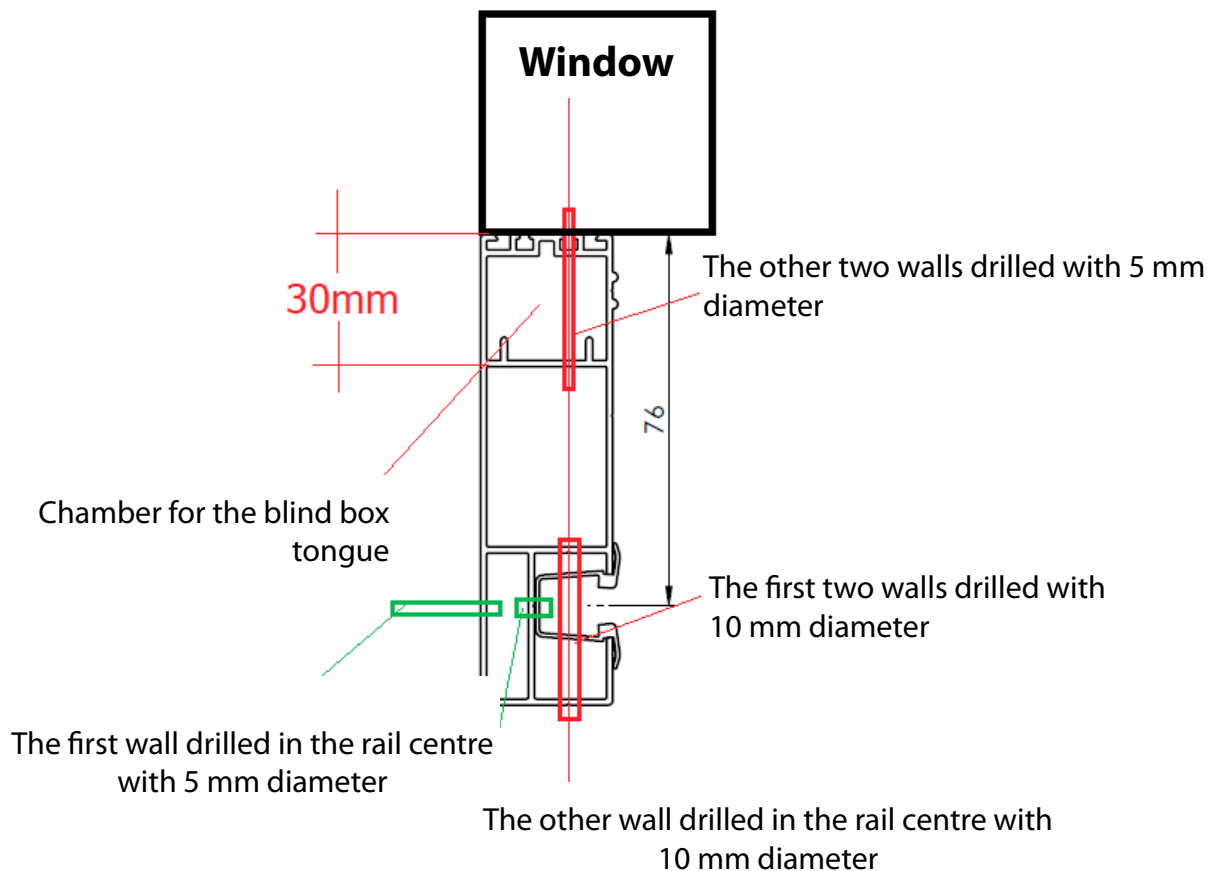
Viva blind with netting



Motor - motor outlet

Motor - motor outlet

VIVA Self-Supporting Blind – Predrilling the Guide Rails



Extent up to 2.5 m height.

=>

x-900 = 100; up to 500;100

901-1200 = 100; 2x up to 500;100

1201-1700 = 100; 3x up to 500;100

1701-2200 = 100; 4x up to 500;100

2200-2500 = 100; 4x500-575;100

– accept the larger size.

2 holes (each 100 mm from the edge)

3 holes (e.g., height 750 mm = 1st hole 100 mm from the edge, 2nd hole 375 mm from the edge, 3rd hole 650 mm from the edge)

4 holes (e.g., height 1500 mm = 1st hole 100 mm from the edge, 2nd hole 533 mm from the edge, 3rd hole 966 mm from the edge, 4th hole 1400 mm from the edge)

5 holes (e.g., height 1900 mm = 1st hole 100 mm from the edge, 2nd hole 525 mm from the edge, 3rd hole 950 mm from the edge, 4th hole 1375 mm from the edge, 5th hole 1800 mm from the edge)

5 holes (e.g., height 2400 mm = 1 hole 100 mm from the edge, 2nd hole 650 mm from the edge, 3rd hole 1200 mm from the edge, 4th hole 1750 mm from the edge, 5th hole 2300 mm from the edge)

Self-Supporting Blind Bravo

Blind with self-supporting guiding channels and a possibility to integrate an insect screen.

The blind's head rail and the whole slat packet are located in the ready-made box in a rounded version. Sockets for connecting with the supporting rails are located on the box sides.

The Bravo blind is intended for small structural openings – the box height is 40 mm smaller compared to the standard versions thanks to a special hanger and eccentric channel placement.

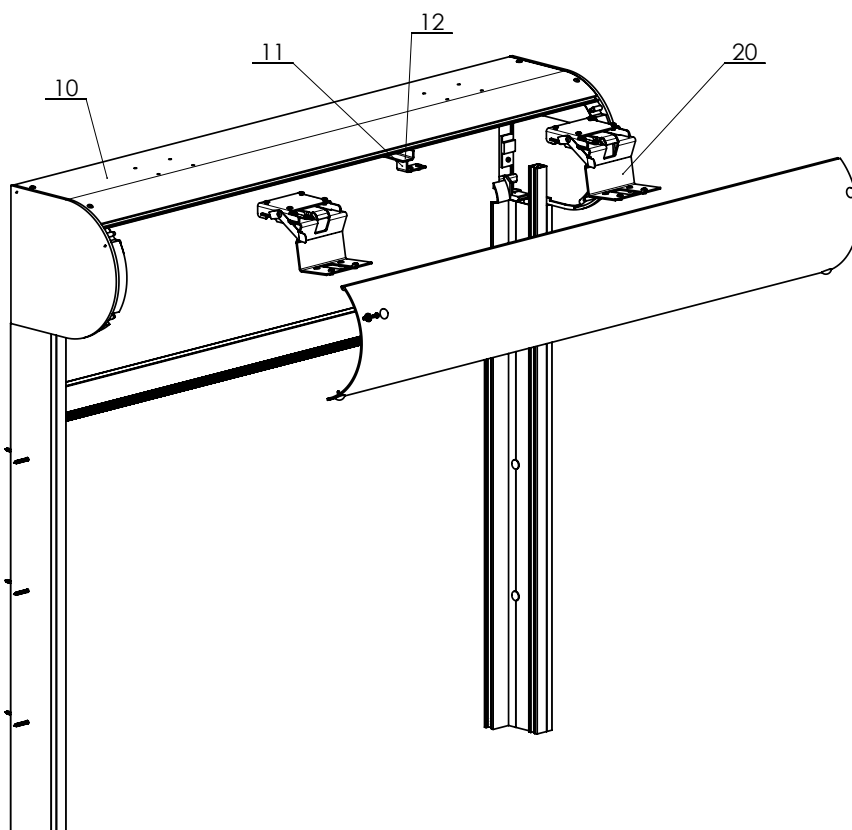
Version suitable for all types of exterior blinds except Cetta 50.

Controls: pulling the blind up and down and setting the slat by motor only. The control is located in the middle.

The blind can only be installed in the version with self-supporting guiding channels.

The standard cover box version is 210 mm.

Box, guide and bottom rails possible in DECORAL and RAL version.



Blind dimensions:

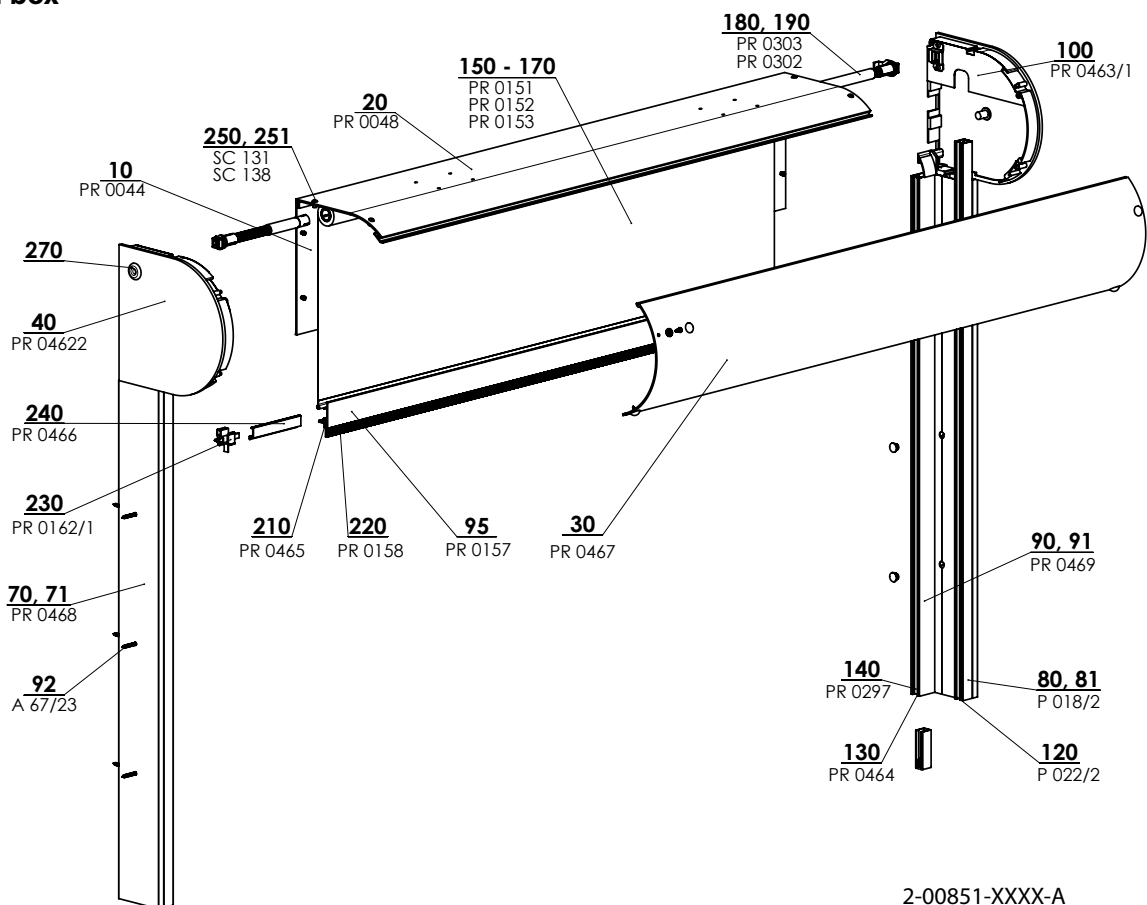
	Width (mm)		Height (mm)		Guaranteed area (m ²)
	min.	max.	min.	max.	max.
without insect screen	600	3500	500	3000	10,5
with insect screen	720	1800	500	2500	3

Using this version, you can save 40 mm of the box height (front cover height) compared to the standard version.

The maximum height of a blind, which can be contained in a 210 mm box.

Blind type	Blind height in mm
Cetta 60 Flexi	1900
Cetta 65	1900
Cetta 80	2200
Cetta 80 Flexi	3000
Cetta 80 Slim	2600
Cetta 100 Flexi	3000
Setta 65	1900
Setta 90	2700
Zetta 70	2100
Zetta 90	2500

Set of box

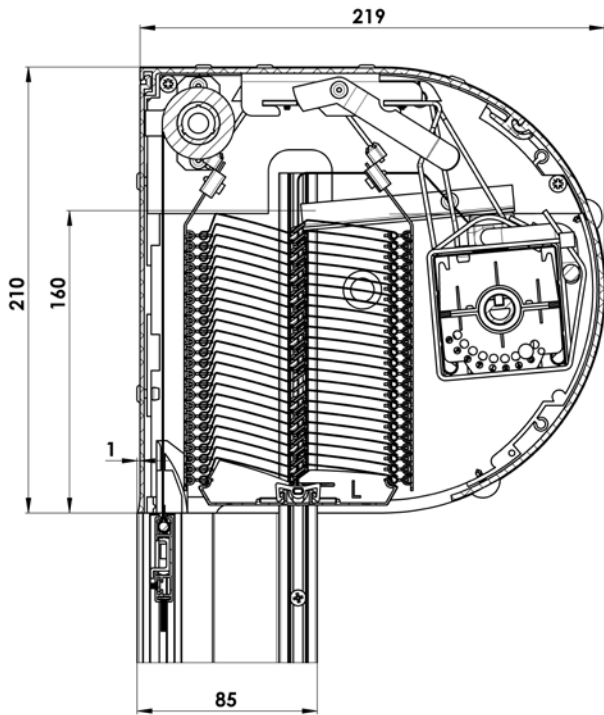


2-00851-XXXX-A

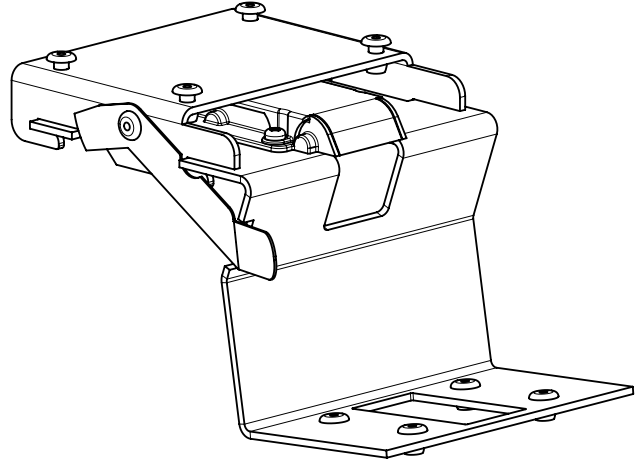
Box of Self-Supporting Blind (2-00851-PU114)

Position	Item name	Business name - Abbreviation 2	Order number - Abbreviation 1
10	Extruded box, RR 205	PR0044	6-002519-0000
20	Extruded box, rounded ROT 205	PR0048	6-002502-0000
30	Extruded box, rounded RS UT 205 - pair	PR0467	6-011264-0000
40	Sidewall 205	RS75	6-011370-0000
70, 71	Guiding channel RS75	PR0468	6-011267-0000
80, 81	Guiding channel - simple	P 018/2	7-302122-xxxx
90, 91	Guiding channel A 22	PR0469	6-011268-0000
92	Self-tapping screw with collar 4,2x13	A 67/23	6-011397-0000
95	Bottom rail	PR0157/00	6-001935-0000
100	Pad for net	PR0463/1	3-02171-0000
120	Side guide channel insertion - kedr	P 022/2	6-001150-0000
130	Blackout brush	PR0464	6-001801-0000
140	Brush sloped - for V.L. A 20	PR0297	6-006875-0000
150	Insect screen ISG 600x130 cm	PR0151	6-001939-0000
160	Insect screen ISG 600x170 cm	PR0152	6-001937-0000
170	Insect screen ISG 600x250 cm	PR0153	6-001938-0000
180	Spring mech. up to 720mm width - without brake	PR0303	6-010476-0000
190	Spring mech. above 720mm width - with brake	PR0302	6-010475-0000
210	Brush for SL-I 12,5 mm	PR0465	6-011337-0000
220	Brush for SL-I 4,8x20 mm	PR0158	6-001749-0000
230	Easy-Click set for A 20	PR0162/1	6-001942-0000
240	SL-I handle	PR0466	6-011245-0000
250	Rivet Al 4x6	SC 131	6-002678-0000
251	Rivet Al 4x10	SC 138	6-003759-0000
270	Rubber cable, plastic, black		6-017078-0000

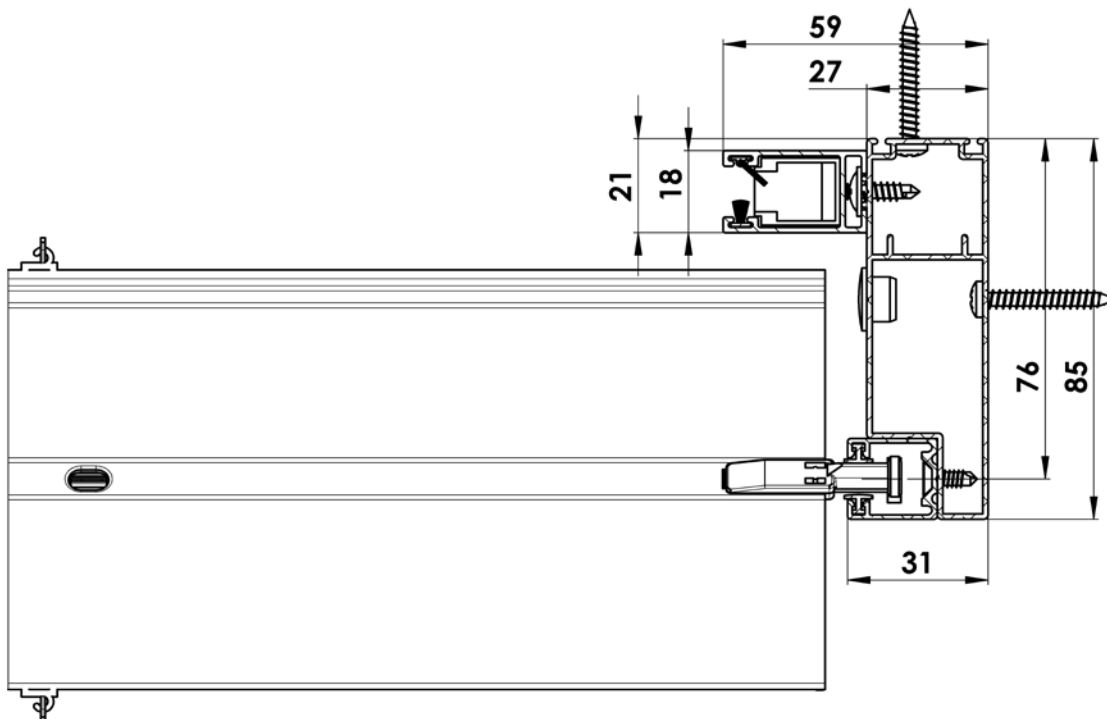
Cut of head rail



Holder channel



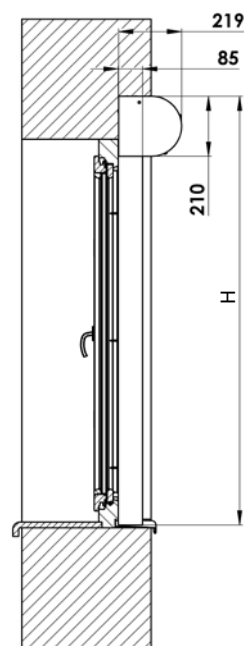
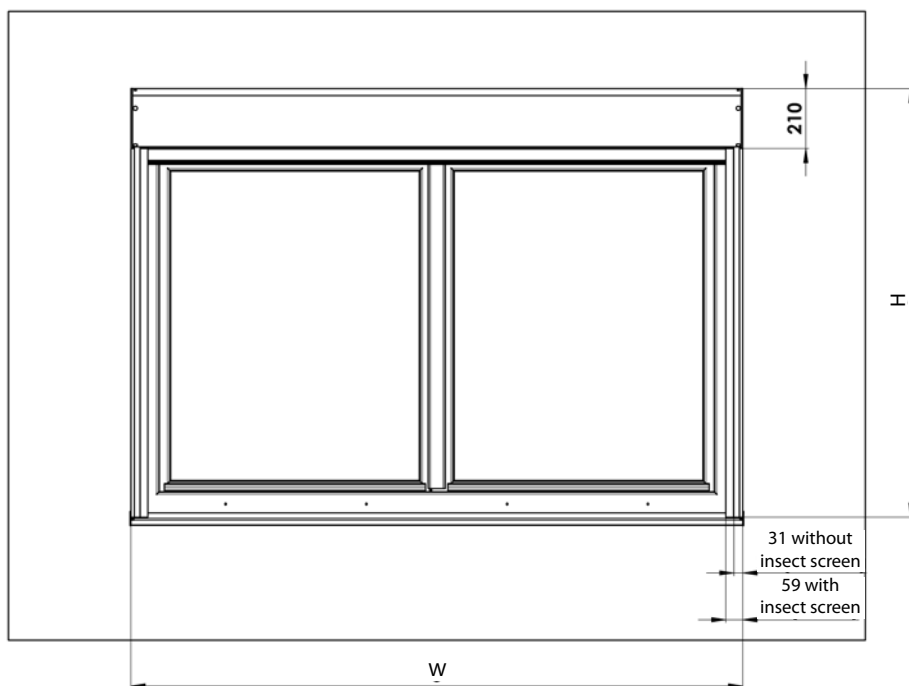
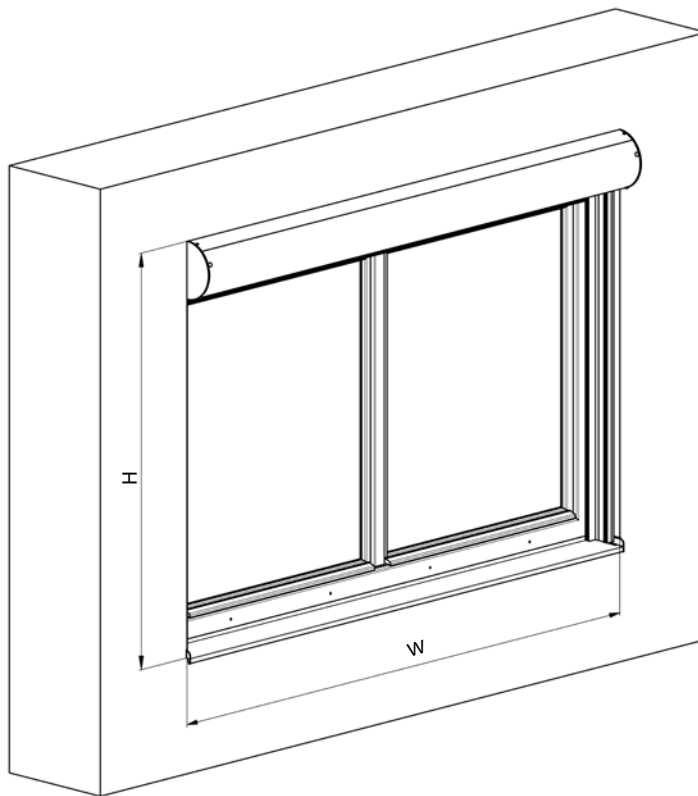
Cut of guiding channel



Self-supporting blind, uprolling outside the channel

The self-supporting blind is suitable for smaller spaces.

Measurement



Technical Specification

Slats

Control

Guidance

Blinds Holders

Front Covers

Measurement and Assembly

Alternative Designs

Special Designs

Self-Supporting Exterior Blinds STS aluminium

separate all-aluminium final product

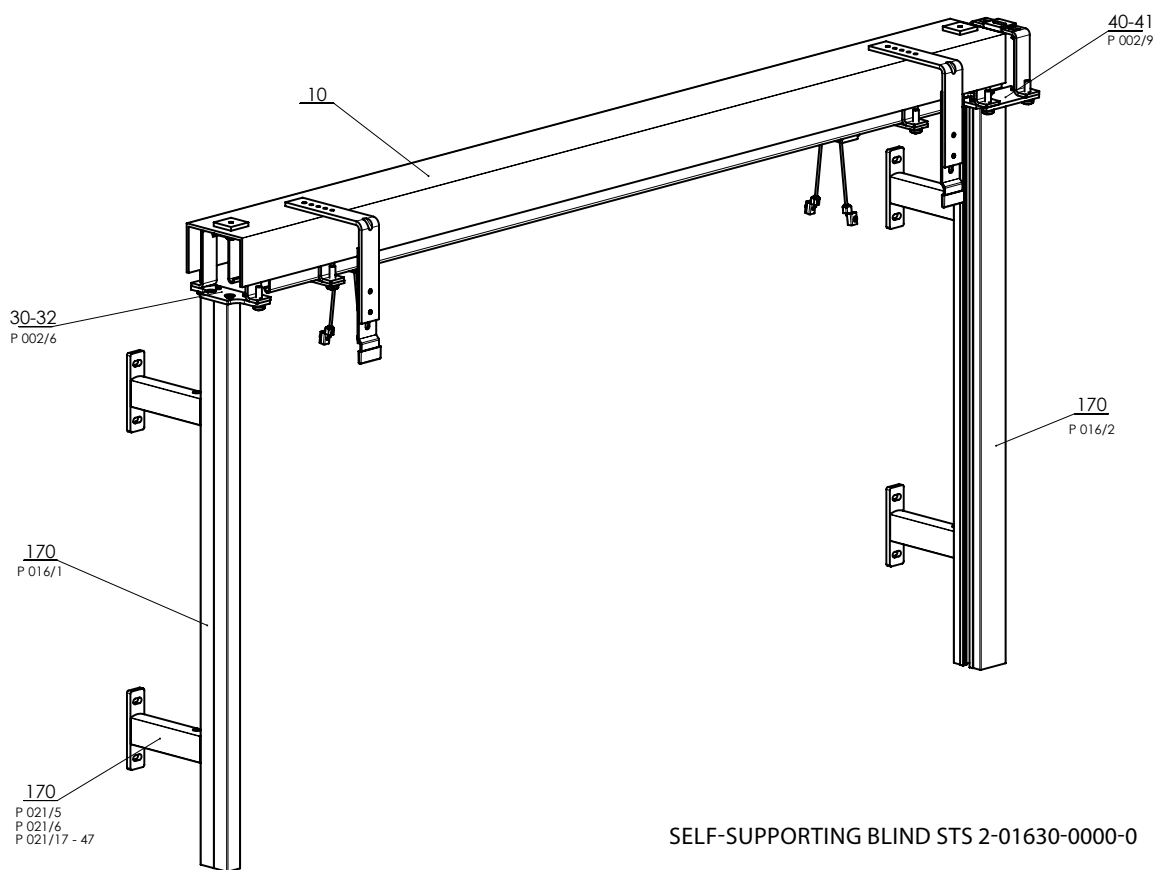
The STS aluminium self-supporting blind is a separate all-aluminium final product. The upper profile (box), together with the slat pack, is attached to the guide rails using a special foot and hanger of the upper profile. Then only the guide rail brackets without any blind bracket can be used, as if it were necessary in the case of an ordinary installation of an exterior blind. The separate blind therefore no longer needs to be anchored. The principle is the same as for the VIVA product. Installation is simple and quick. Motor control only. Blinds can be coupled. You can choose almost all types of slats in the given colours, including flexi and in the design of a vertical bottom rail even SLIM is possible. It is not possible to select the Cetta 35/50 slat.

It is possible to paint the upper and lower profile, guide rail, guide brackets in RAL and Decoral colours.

Standard blind dimensions:

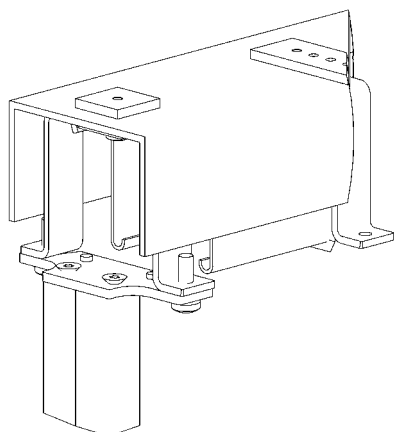
	width (mm)		height (mm)		Guaranteed area (m ²)
	min.	max.	min.	max.	max.
blinds STS	600	4000	500	4000	16

A reinforcing profile is always supplied. The channel with the reinforcement will have by 15 mm wider roll.



SELF-SUPPORTING BLIND STS 2-01630-0000-0

Detail 30-32 (P002/6)

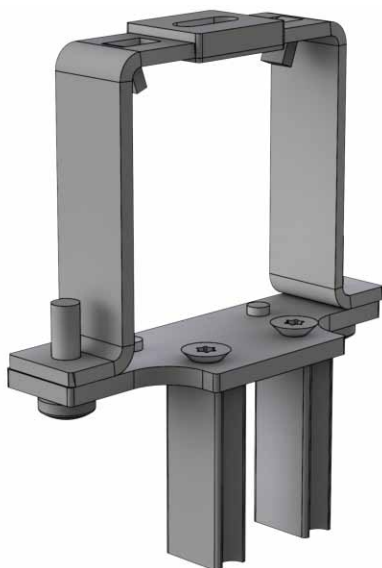


ATTENTION: when entering dimensions, take into account that the production dimension of the blind height is 18 mm smaller than the actual total dimension of the finished blind, including the reinforcing profile and metal plate brackets.

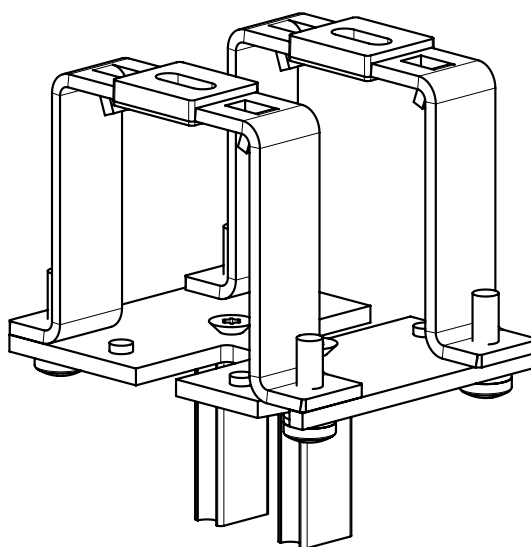


Position	Item	Business name - Abbreviation 2	Order number - Abbreviation 1
10	Pre-assembled box STS		2-01586-0000
30-32	Upper rail hanger – AL PROFIL STS	P002/6	2-01093-0000
40-41	Double foot STS	P002/9	2-01628-0000
170	Guide rail profile STS	P016/1	7-302121-PU52
170	Rail STS - double	P016/2	7-303530-0000
170	Guide rail bracket STS 56-80, 81-125, 80-230 mm	P021/5,6,17-47	-

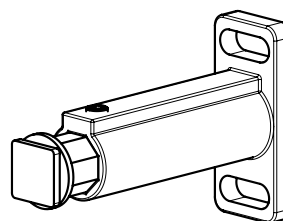
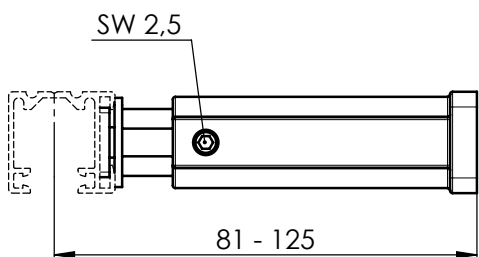
Upper rail hanger – AL PROFIL STS, P002/6



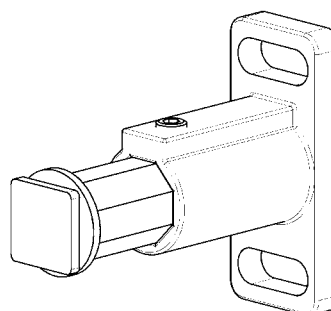
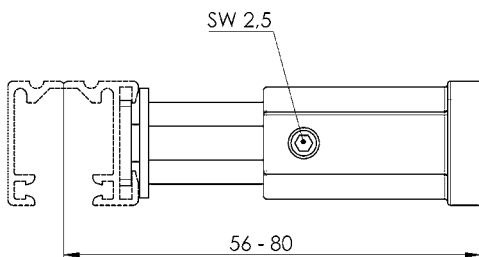
Double foot STS, P002/9



Guide rail bracket STS 81-125 mm, P021/6



Guide rail bracket 56-80 mm, P021/5



STS FIX Self-Supporting Blind

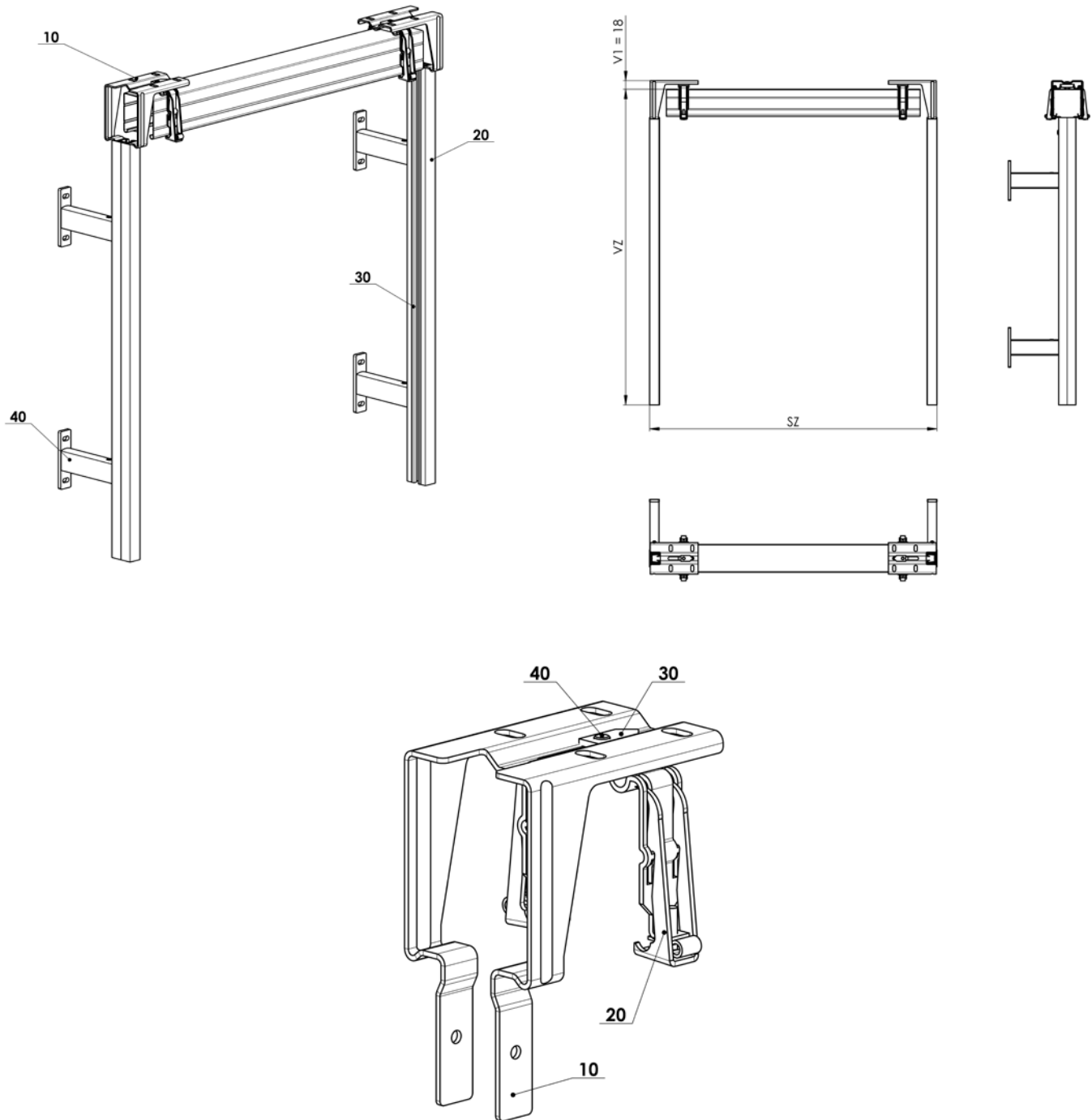
STS FIX is not the final product, but only an optional accessory for any type of exterior blind. If the LV STS FIX value is selected, the exterior blind guide elements will also include:

FIX pre-assembled holder

FIX guide rail

FIX rail insert

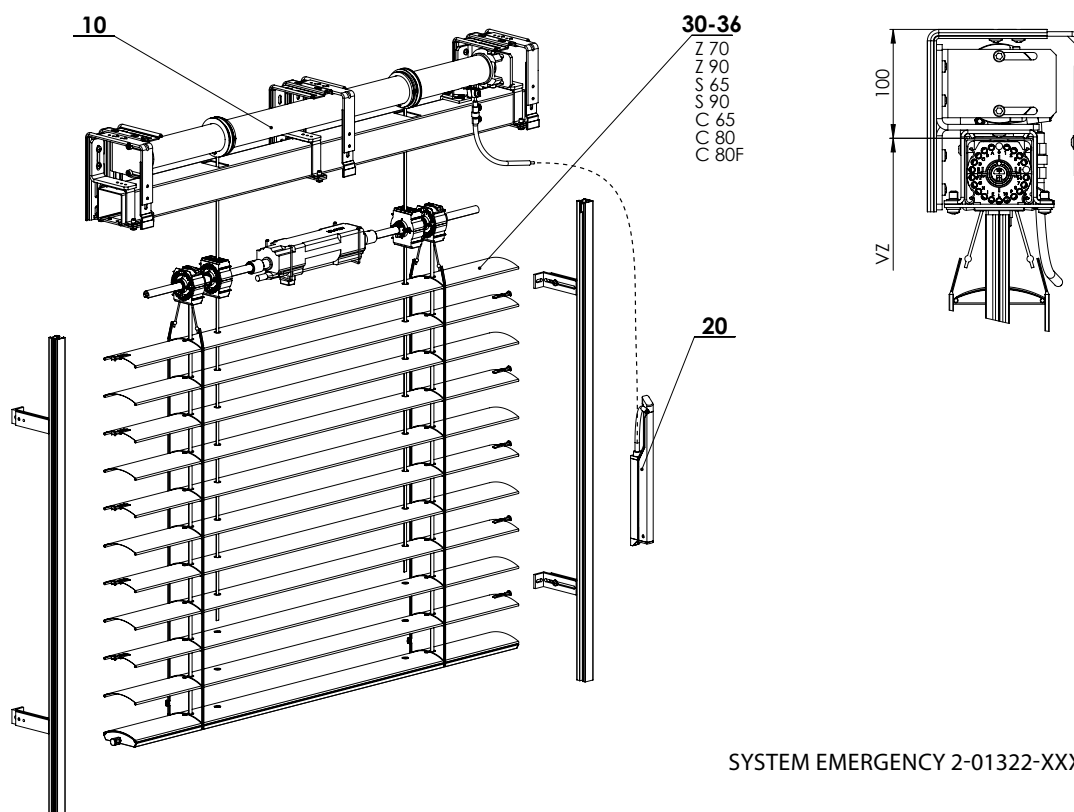
These accessories will ensure the blind will be self-supporting up to the max. width of 2400 mm.



CAUTION: When specifying the dimensions, keep in mind that the distance $V1$ is 18 mm for the STS FIX holder, see the `tableHolder` calculations (Holder type).

EMERGENCY

Basic product specification



Works the same way as a standard blind; in case of emergency, the jerking movement of the handle will immediately raise the blind to passing height.

Standard dimensions

Control	Width (mm)		Height (mm)		Guaranteed area (m ²)
	min.	max.	min.	max.	max.
motor	850	2000	1000	2200	4,4

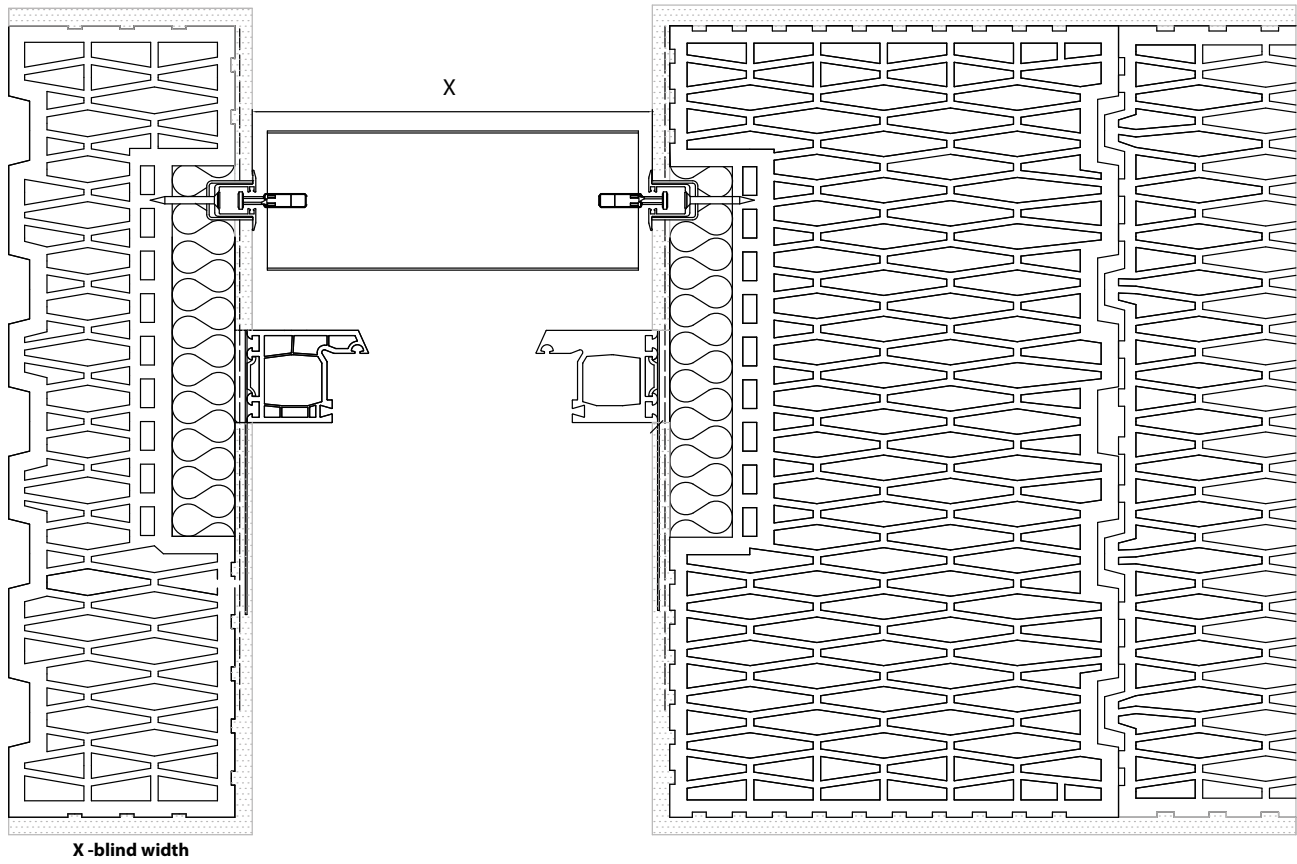
Emergency (2-01322-XXXX-0)

Position	Item name	Business name - Abbreviation 2	Order number - Abbreviation 1
10	Safety blind		2-01140-0000
20	Handle - red		2-01139-3000
30	Zetta 90 - motor control	Z90 motor 24	2-00158-90024
31	Setta 65 - motor control	S65 motor 24	2-00813-65024
32	Setta 90 - motor control	S90 motor 24	2-00813-90024
33	Cetta 65 - motor control	C65 motor 24	2-00172-65024
34	Cetta 80 - motor control	C80 motor 24	2-00172-80024
35	Flexi 80 - motor control	C80 F motor 24	2-00138-80024
36	Zetta 70 - motor control	Z70 motor 24	2-00158-70024

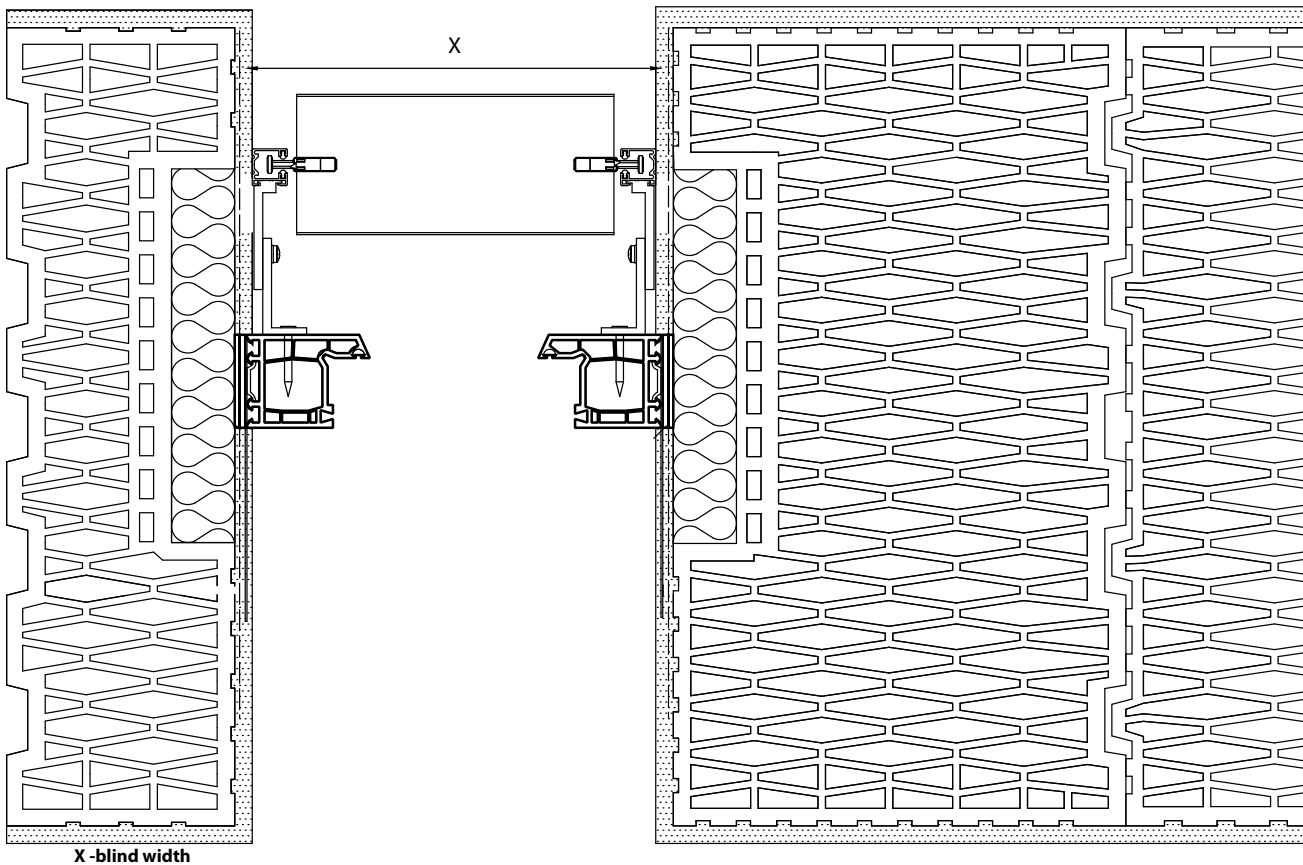
Lintel Exterior Blinds HELUZ

The bushings for the guiding channels can be recessed in an insulation sandwich. The Venetian blind guiding channels can also be fixed to a window frame using attachments.

Fitting of bushing of exterior blinds with recessed guiding channel – standard Installation



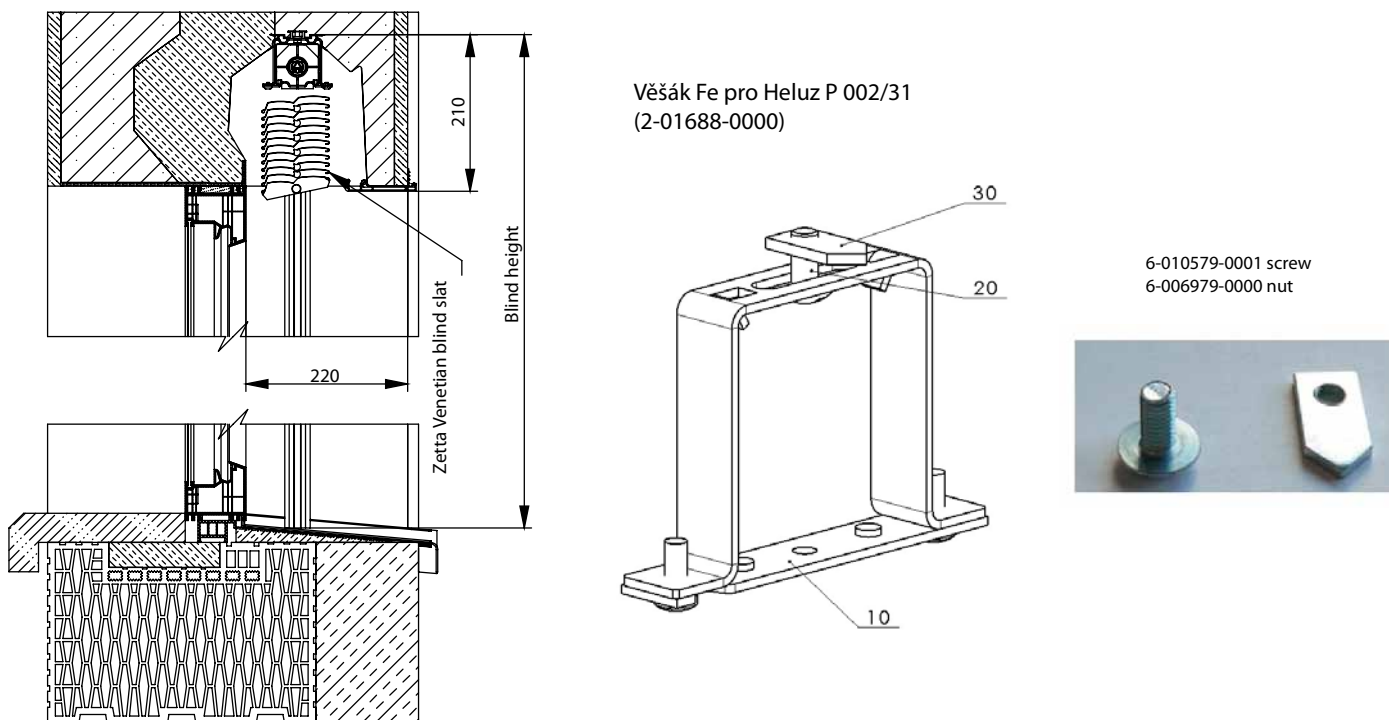
Fitting of Venetian blind guiding channel in reveal



Fitting of window frame for exterior blind Installation

The window frame can be fixed to the rolling lintel in the upper part using metal attachments and dowels.

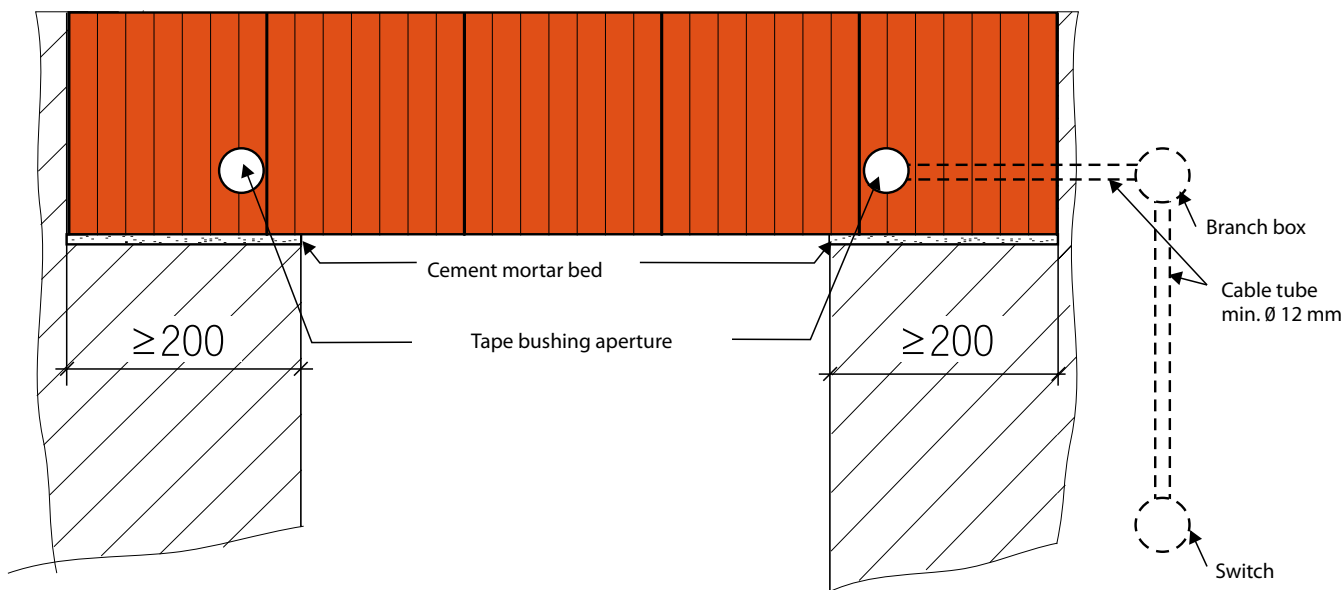
Distance between the outside brick molding of lintel and outside part of window frame is 220 mm.



LINTEL EXTERIOR BLINDS

Blind Type	Cetta 60 Flexi		Cetta 65	Cetta 80	Cetta 80 Flexi		Cetta 80 Slim	Cetta 100 Flexi		Setta 65	Setta 90	Zetta 70	Zetta 90
	Wire	Guiding Channel			Wire	Guiding Channel		Wire	Führungsschiene				
Min. Width (mm)	600	600	600	600	600	600	600	600	600	600	600	600	600
Max. Width (mm)	3850	3850	3850	3850	3850	3850	3850	3850	3850	3850	3850	3850	3850
Max. Height (mm)	3300	2100	1500	1700	4000	2800	2000	5500	3700	1400	1900	1600	1900
Max. Guaranteed Area	8 m ² (Handle control) 8 m ² (Motor control)												

Recessing of components for motor control



In the case of handle control, protrude the handle through the prepared aperture into the blind gearing. Then screw to the lintel.

Control

The bearing HELUZ roller blind lintel can be fitted either with manual or electric control.

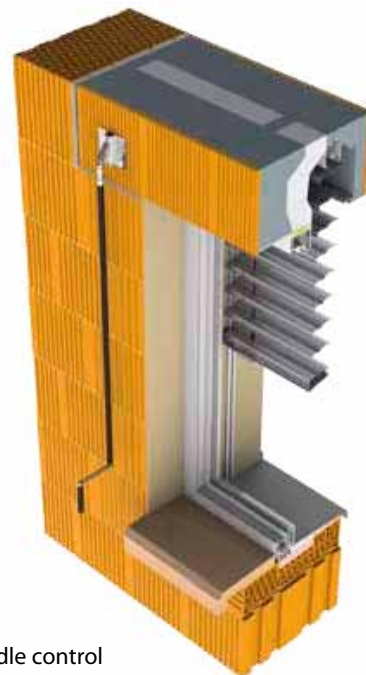
If the customer decides for the manual control using a handle, it is necessary to keep the lintel seating of 200, rather 250 mm, if possible, on the control side. In the case of electrical control of the shading systems, a wiring branch box is to be installed next to the lintel and a cable with minimum of 3 wires with the section of 1.5 mm² for 230 V power supply will lead into it. The branch box with the cable tube with a minimum diameter of 16 mm will be interconnected with the inner part of the lintel, eventually with a switch. The electrical drive is to be located in the Venetian blind carrier. The entire wiring system needs to be consulted with the shading equipment assembling company prior to applying the plastering.

When using the electrical control, we can place the lintel symmetrically on the assumption of keeping the minimum lintel seating of 200 mm on both sides.

The handle bushing extends 15 mm in the space for later plastering.



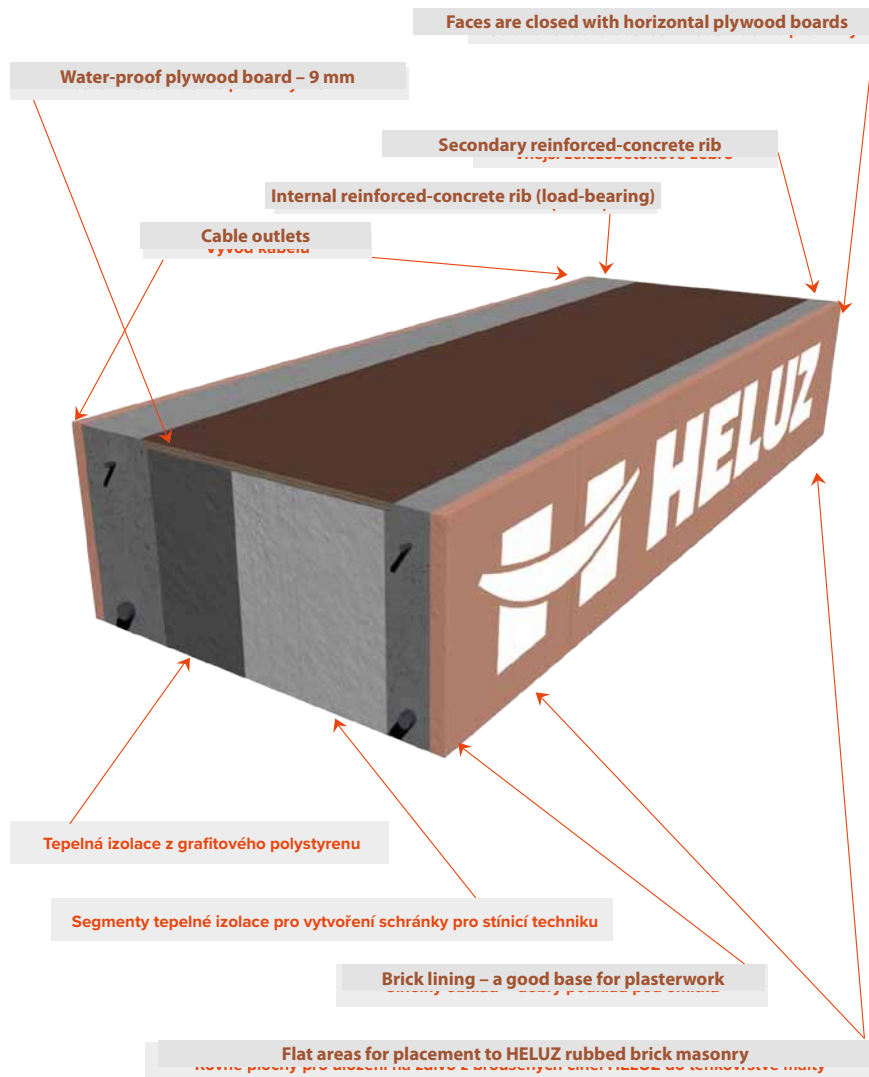
Motor control



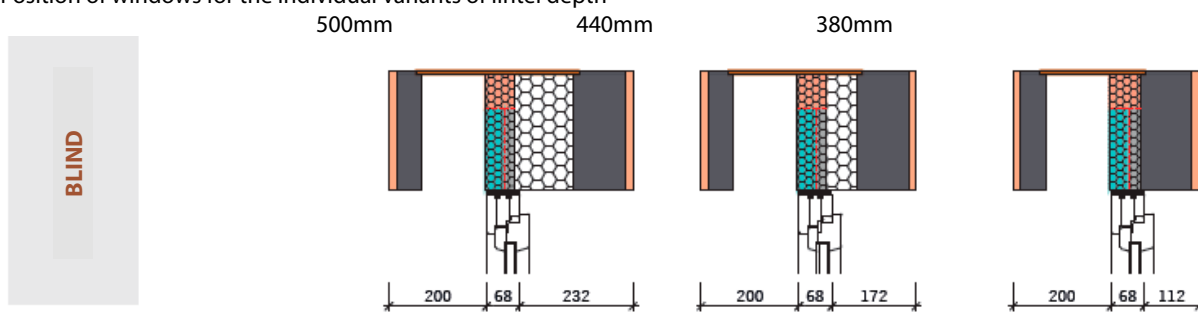
Handle control

Blinds for HELUZ Family 3 in 1 Lintels

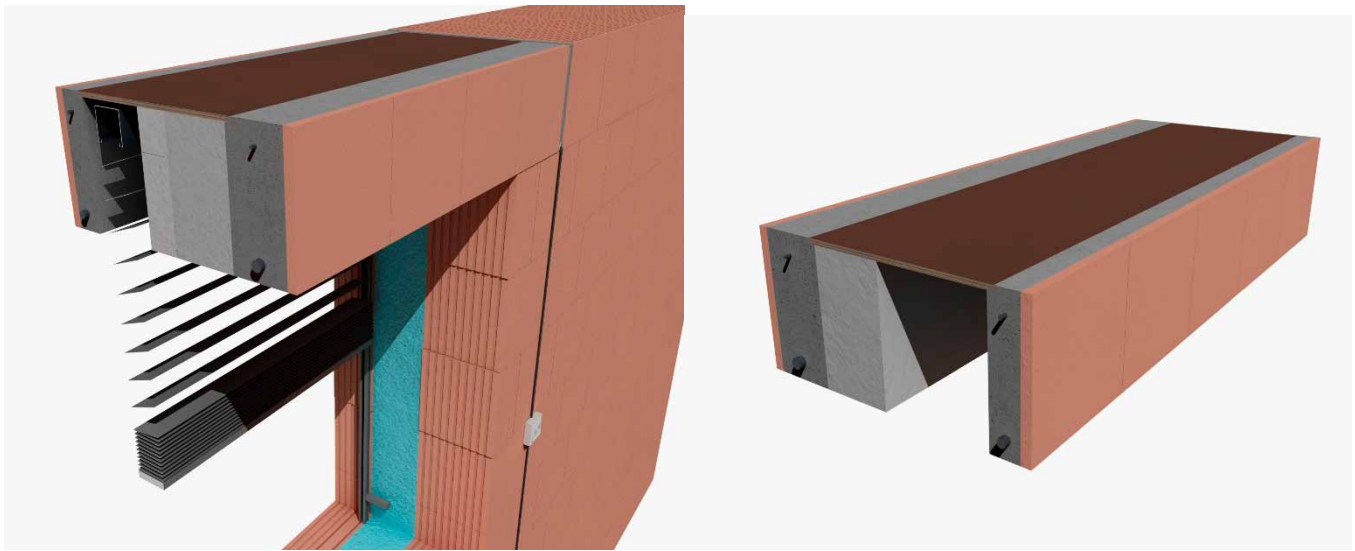
LINTEL CROSS-SECTION



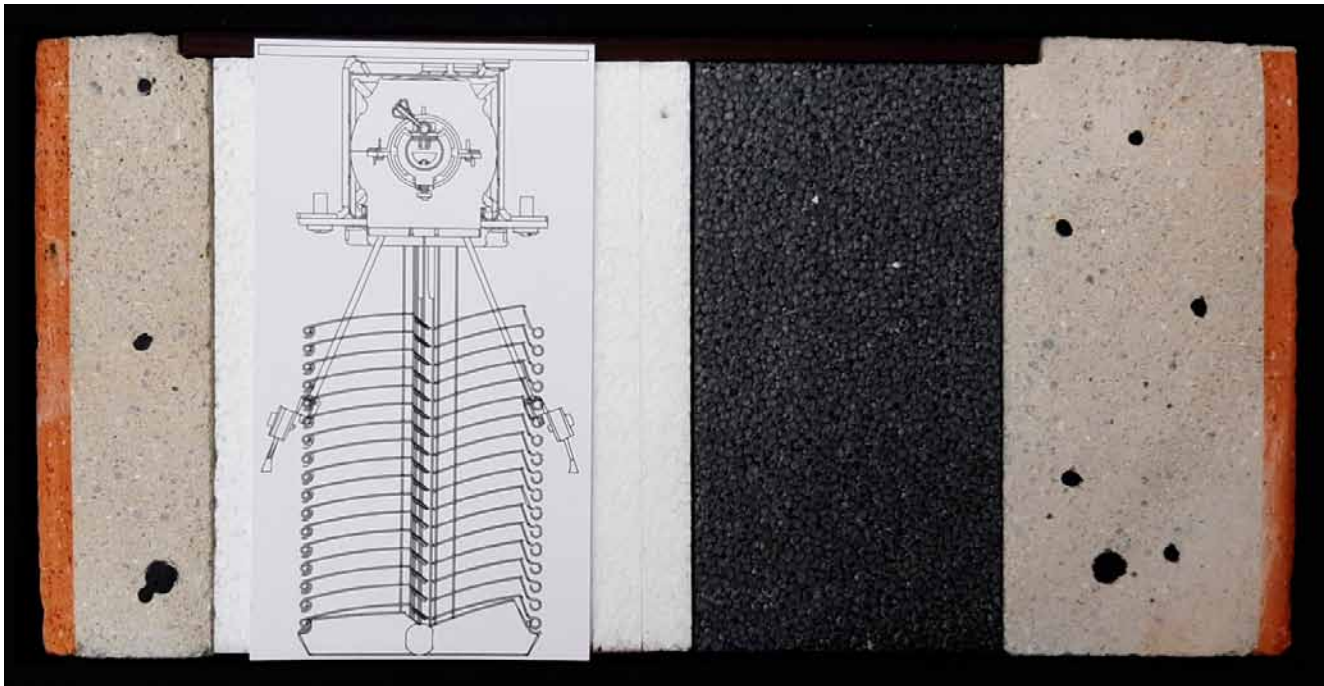
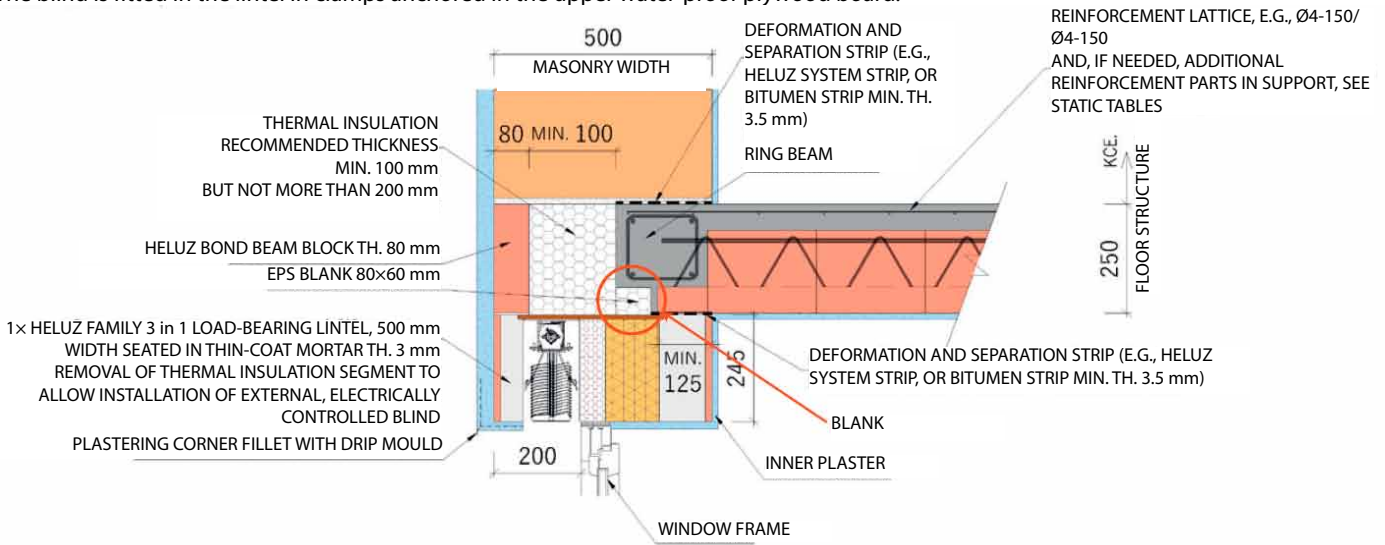
Position of windows for the individual variants of lintel depth



The universal position of the window is 260 mm measured from the exposed face of the lintel to the exposed face of the window frame for the lintel widths 500 mm and 440 mm. For the 380 mm lintel width, the universal position of the window is 240 mm from the exposed face of masonry. This position is intended for cases where installation of the shading technology has not been decided yet. If no solar shading is to be installed, the window frame may be shifted closer to the exposed face of masonry. It is always necessary to consider architectural appearance of the structure so that the windows are matched within the façade including the installation of the selected solar shading units. A small inner window sill will be necessary for lintels of 380 mm width. Therefore, this lintel width variant is suitable in connection with the 380 mm masonry width for the walls of structures like garages and garden houses, i.e., structures not subject to considerable architectural and thermal-technical requirements, but where solar shading is required. When installing the window, it is necessary to fit the window frame tight to the boundary of the thermal insulation segments for the specified type of solar shading.

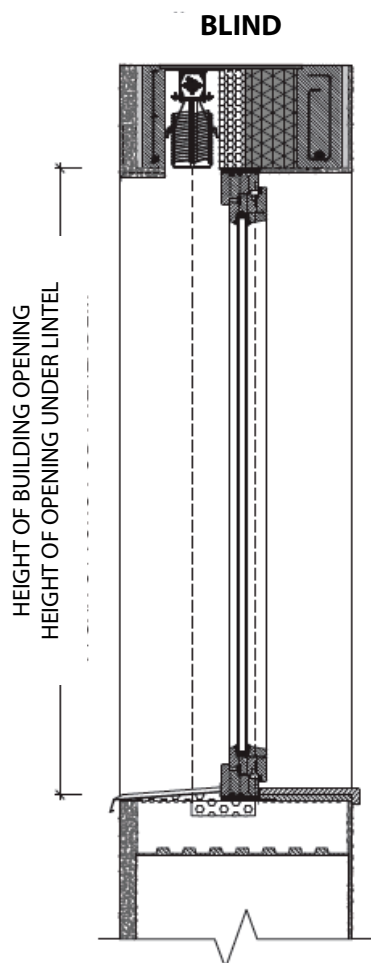


The blind is fitted in the lintel in clamps anchored in the upper water-proof plywood board.



	TYPE	Overall height of shading product	Window aperture height
BLIND	Cetta 100 flexi - lanko	4 000	3 765
	Cetta 80 flexi - lanko	4 000	3 765
	Cetta 80 flexi - vodící lišta	4 000	3 765
	Cetta 60 flexi - lanko	3 500	3 265
	Cetta 100 flexi - vodící lišta	3 400	3 165
	Cetta 50 - lanko	3 000	2 765
	Cetta 60 flexi - vodící lišta	2 200	1 965
	Cetta 80 slim	2 100	1 865
	Setta 90	2 000	1 765
	Zetta 90	2 100	1 865
	Cetta 80	1 800	1 565
	Zetta 70	1 600	1 365
	Cetta 65	1 500	1 265
	Setta 65	1 500	1 265
	Titan	1 400	1 165
	Cetta 50 - vodící lišta	1 100	870

BRICK TH. 500 MM – ELECTRIC CONTROLS
CROSS-SECTION OF WINDOW APERTURE





ISOTRA a.s.

Bílovecká 2411/1, 746 01 Opava
Czech Republic

Tel.: **+420 553 685 111**
E-mail: isotra@isotra.com

www.isotra.com

Released: 02/2025

ISOTRA Partner



... protecting your privacy.